

NOTICE

- * Please make sure that you have all parts indicated and they are in good condition before you begin assembly of this item. Refer to part list and hardware list below for guidance.
- * This item should be assembled on a soft surface to prevent scratching the finish during assembly.
- * This item may require periodic tightening.
- * If you are having difficulty, our friendly Customer Care team is always here to help. Please email customersupport@safavieh.com





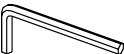
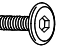

PREPARATION

- * Before beginning assembly of product, make sure all parts are present. Compare parts with part contents list and hardware contents list.
- * If any part is missing or damaged, do not attempt to assemble the product.
- * Estimated Assembly Time: 30 minutes.
- * Require 2-3 person for assembly.
- * Tools Required for Assembly (included): Allen Key

CARE AND MAINTENANCE

- Blot up spills immediately, always use coasters on table tops under beverages. Use trivets or mats under hot dishes or cookware. Clean with warm water and dry surface immediately after cleaning. Do not use cleaners that contain acid such as bathroom cleaners, grout cleaner, and tile cleaners. Do not use abrasive cleaners in either dry or liquid forms. Use a cleaner and polish formulated for marble surfaces.

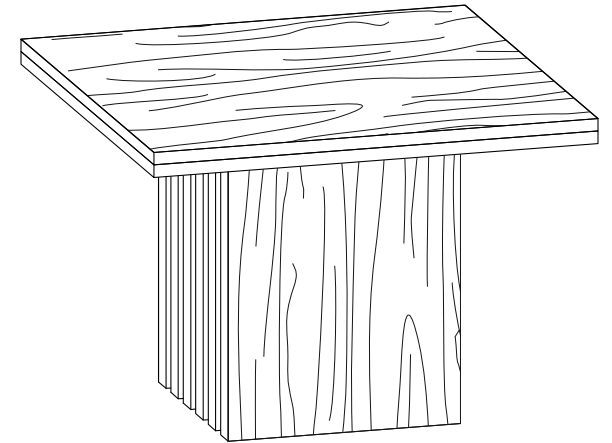
PARTS & HARDWARE LIST

Piece	Description	Picture	Quantity	carton call
A	Square Marble Top		1x	1 of 2
B	Plus Metal Frame		1x	1 of 2
C	Base		1x	2 of 2
HW1	CSK Bolt 8x1.25x20mm		4x	1 of 2
HW2	Allen key 5mm		1x	1 of 2
HW3	JCB Bolt 8x1.25x16mm		4x	1 of 2
HW4	Flat Washer 8 mm		4x	1 of 2

SAFAVIEH C O U T U R E

ITEM ID : SFV9701

PRODUCT DIMENSION : 21"WX21"DX16"H



WARNING

Weight Capacity : 33 lbs

WARNING : DO NOT STAND/SIT ON ACCENT TABLE

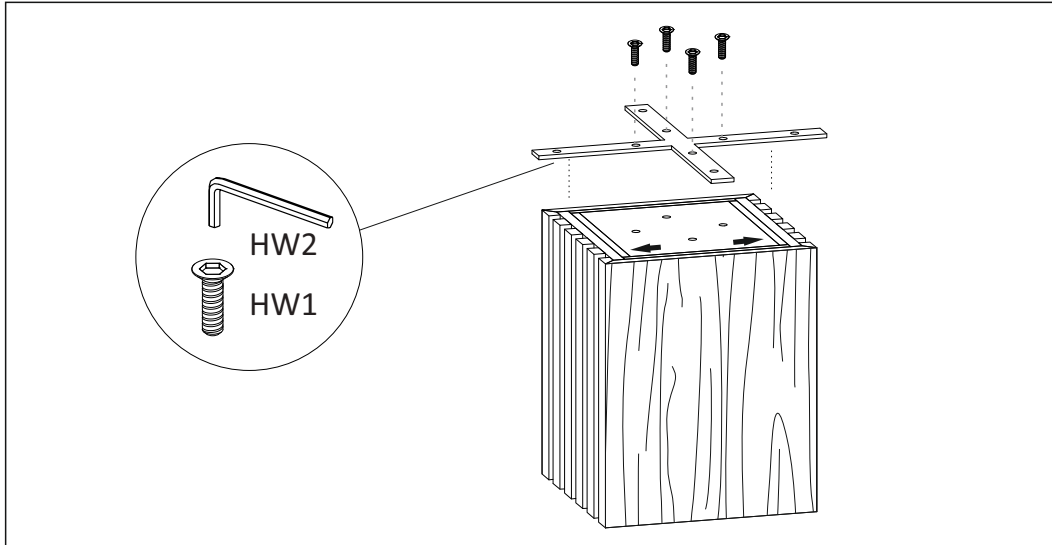
WARNING : DO NOT DRAG ACCENT TABLE

WARNING : HEAVY PRODUCT

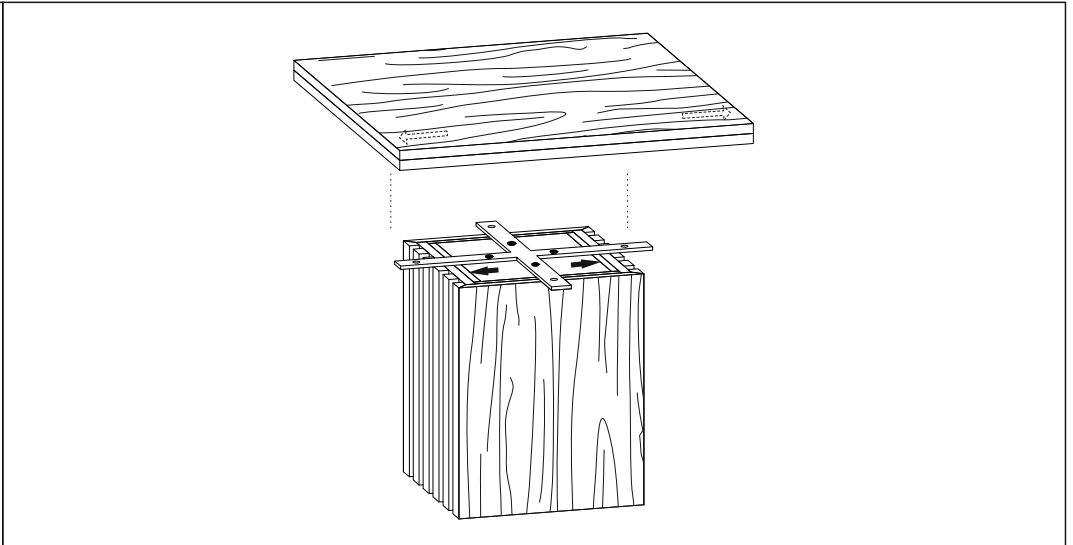
WARNING : DO NOT OVER TORQUE BOLTS

PREPARATION

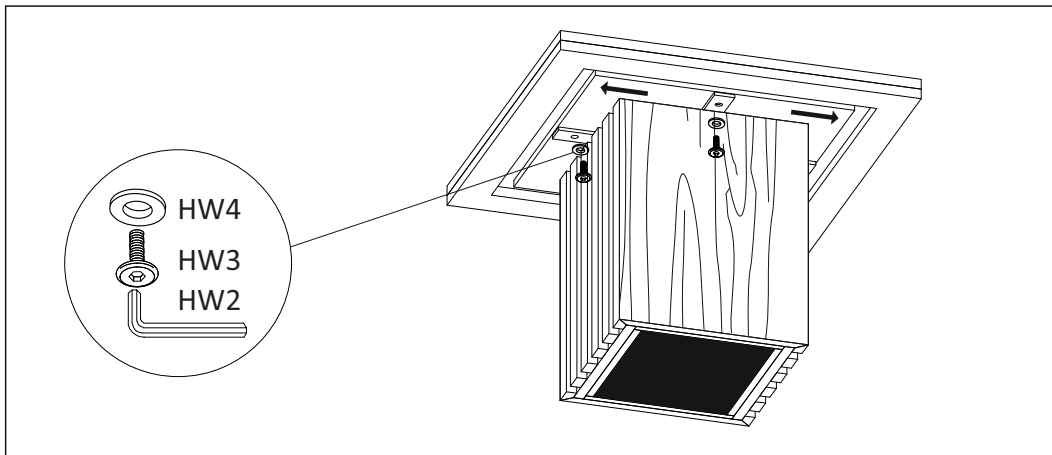
- * Before beginning assembly of product, make sure all parts are present. Compare parts with part contents list and hardware contents list.
- * If any part is missing or damaged, do not attempt to assemble the product.
- * Estimated Assembly Time: 30 minutes.
- * If you are having difficulty, our friendly Customer Care team is always here to help. Please email customersupport@safavieh.com



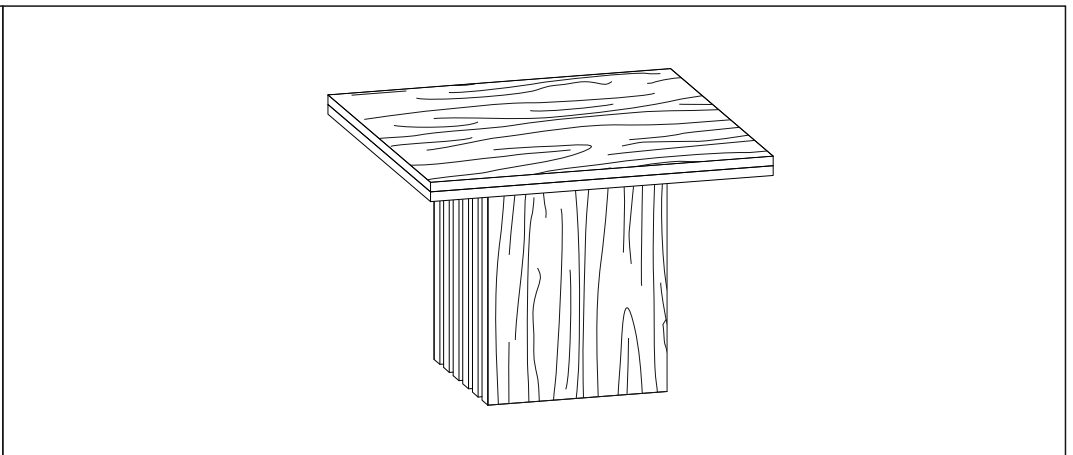
STEP 1: Put the base on a flat surface. Place the metal frame over the base and align the bolt holes. Use Part "HW2" screws to attached the metal frame to the base.



STEP 2: Carefully place the marble top on the base while matching the bolt holes and stuck arrows direction. The grain lines of the top and base should match in the same direction.



STEP 3: Use Part "HW3" screws and "HW4" washers under the top as shown and tighten them firmly. Make sure top is center to the base.



STEP 4: Piece is ready for use.