

## Care and Maintenance

- Clean with a dry cloth or slight dampened in pure water if necessary.
- Avoid hard rubbing when cleaning.
- Vacuum the seat platforms to remove dust.
- Will fade naturally, over time, in sunlight.

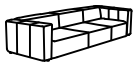

## Notice

\*Please make sure that you have all parts indicated before you begin assembly of this item.

\*This item should be assembled on a soft surface to prevent scratching the finish during assembly.

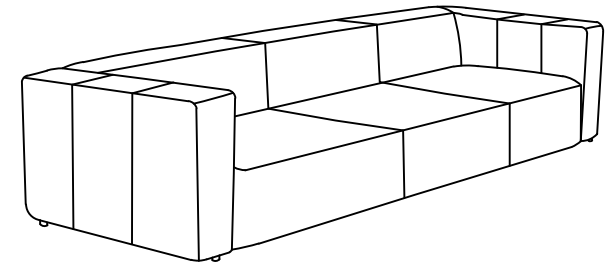
\*This item may require periodic tightening.

## Part List and Hardware List

PIECE	DESCRIPTION	PICTURE	QUANTITY
A	SEAT		1
B	FOOT		6

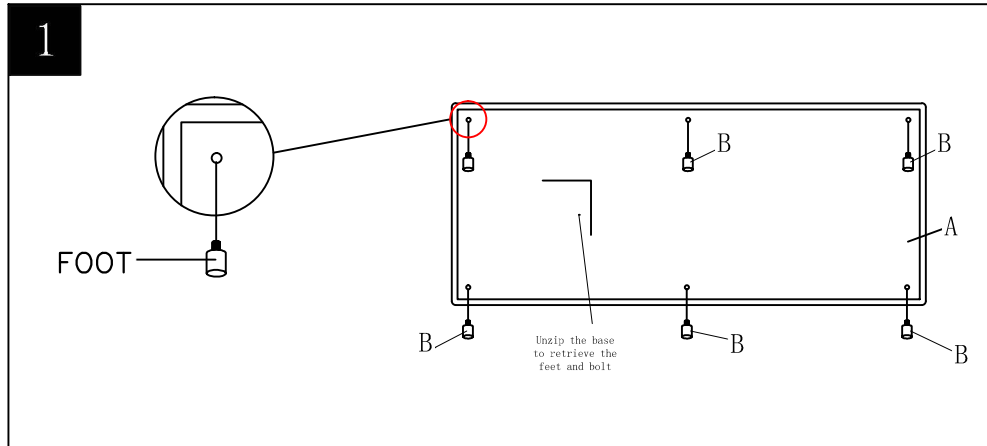


Product Dimensions: 100"W x 43"D x 25"H  
Weight Capacity: 750 lbs  
DO NOT STAND ON SOFA



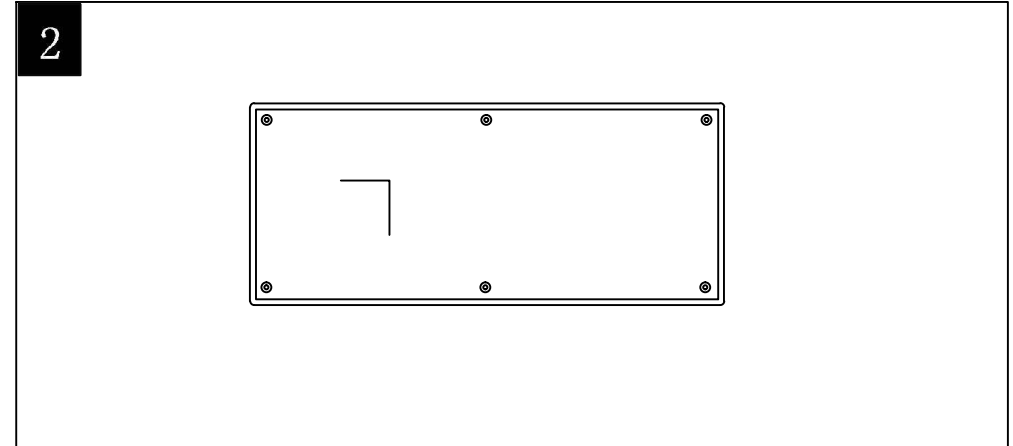
# Preparation

1. On a protective surface to prevent damage. Tip the sofa back so the base faces you
2. Please find the legs at the bottom of sofa (A)



## Step 1

1. Align the holes on the foot (B) with the threaded holes on the underneath of the sofa body (A). Attaching the foot (B) to sofa body (A) by inserting the screw of the foot (B). Then tighten the foot (B) to the the sofa body (A).



## Step 2

2. Repeat for assembly the other Foot (B).