

CARE AND MAINTENANCE

Spot clean using a mild water-free solvent. Only a professional cleaner should undertake a complete overall cleaning.
The use of steam or water-based cleaners may cause excessive shrinking or staining.

NOTICE

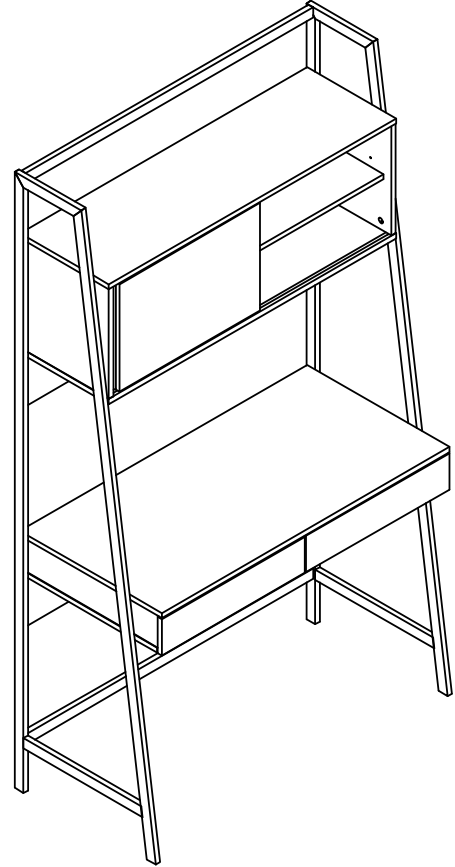
- * Please make sure that you have all parts indicated before you begin assembly of this item
- * This item should be assembled on a soft surface to prevent scratching the finish during assembly
- * This item may require periodic tightening



SFV8730A-2BX
DIMENSIONS: 39.4"L x 19"D x 70.9"H

Part List and Hardware List

PIECE	DESCRIPTION	PICTURE	QUANTITY
A	body-1		1X
B	body-2		1X
C	metal legs		1X
D	shelf		1X
E	back plant		2X
F	metal bar		2X
HW1	screw M6*1.2*8MM		8X
HW2	screw M6*1.2*14MM		14X
HW3	allen wrench M6		1X
HW4	connecting lever		8X
HW5	fastening		8X
HW6	cover sticker		8X
HW7	shelf supporter		4X



SHELF TOTAL WEIGHT CAPACITY: 110 LBS

WARNING: DO NOT STAND ON THE SHELF
WARNING: DO NOT OVER TORQUE BOLTS/SCREWS

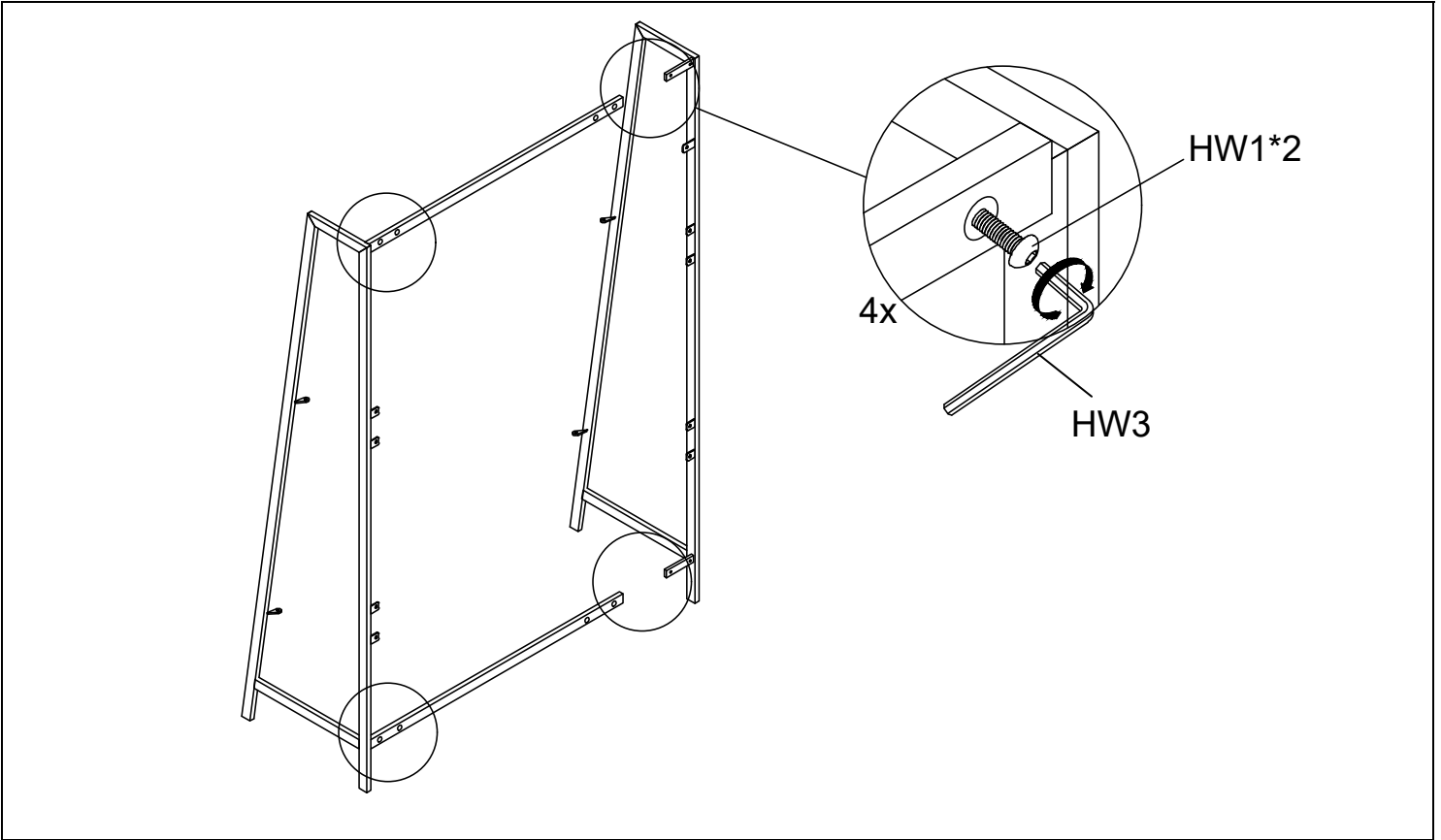
PREPARATION

Before beginning assembly of product, make sure all parts are present. Compare parts with package contents list and hardware contents list.

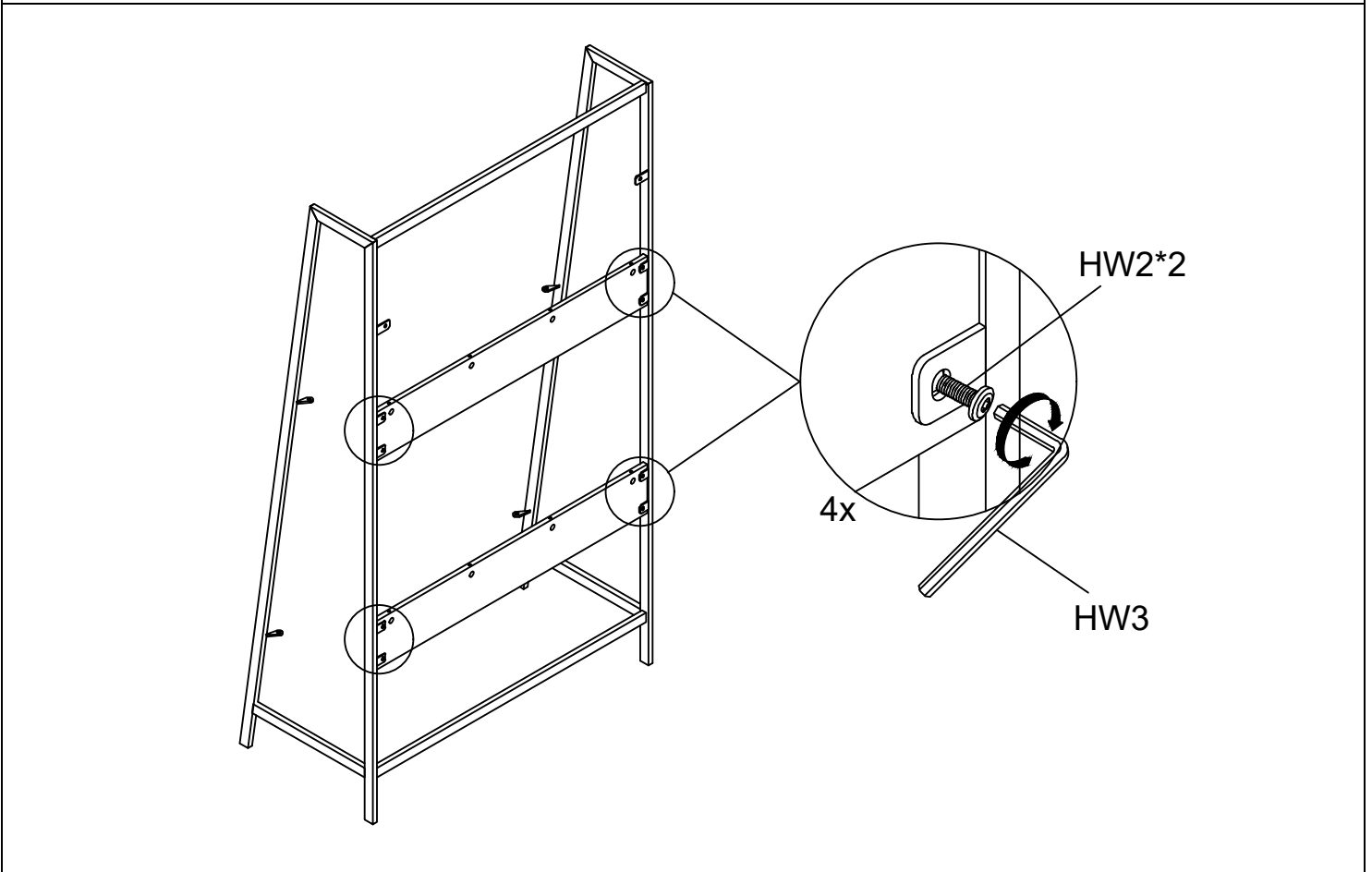
If any part is missing or damaged, do not attempt to assemble the product.

Estimated Assembly Time: 60 minutes.

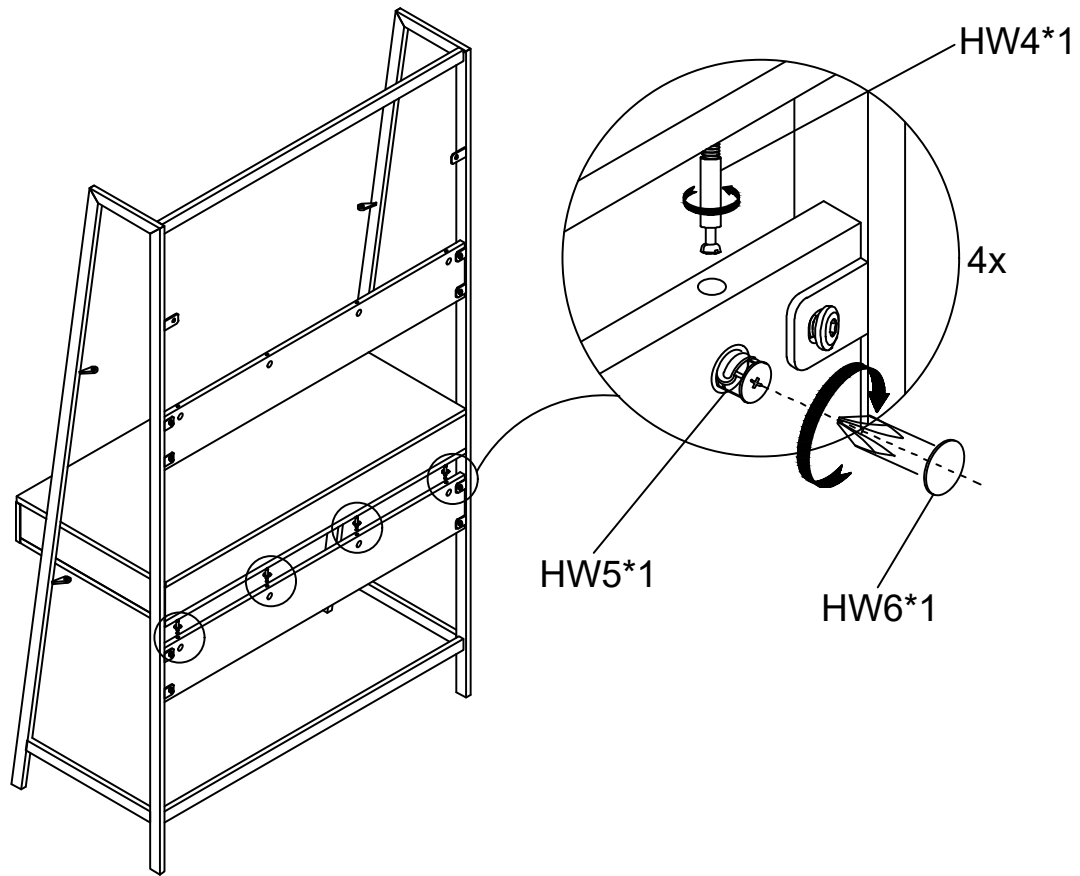
Tools Required for Assembly (included): Allen Key



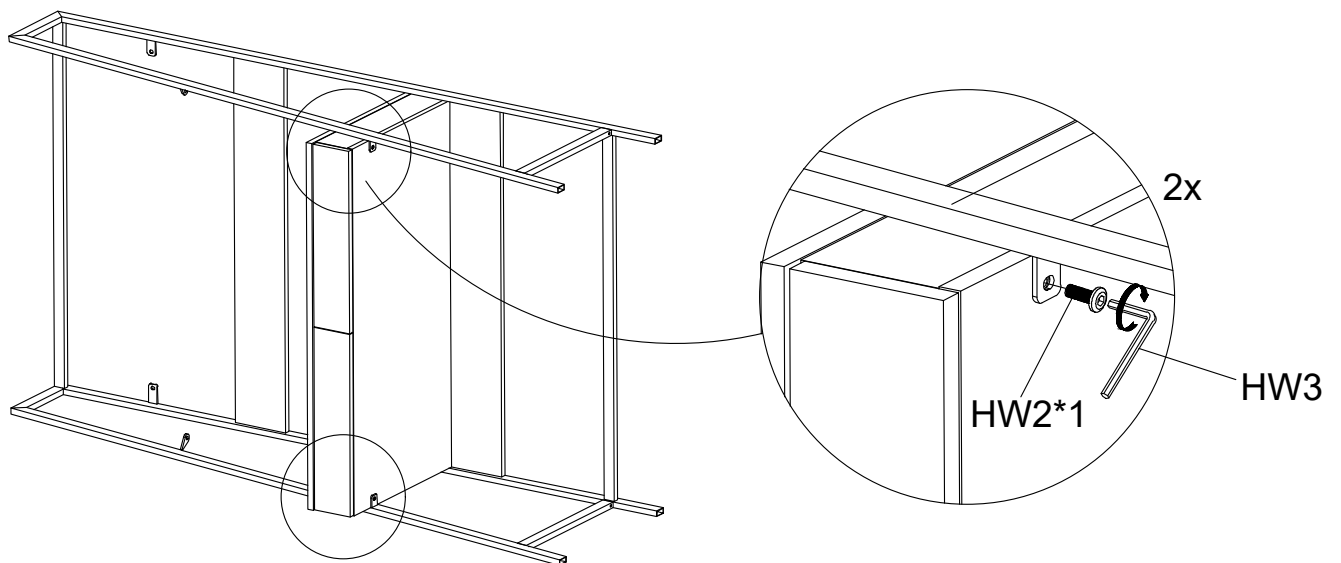
STEP1 assemble metal legs and metal bars.



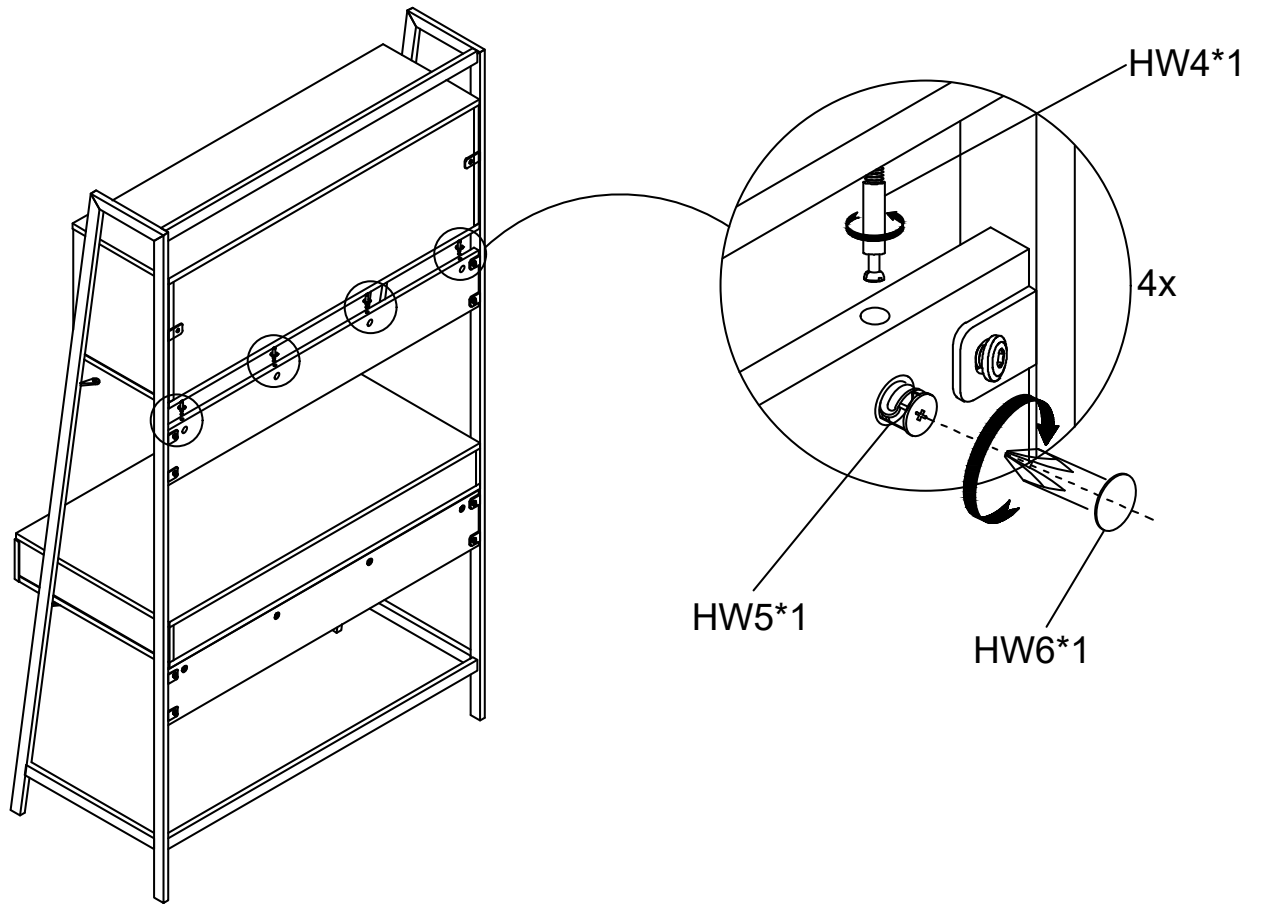
STEP2 assemble metal bar and the back plant.



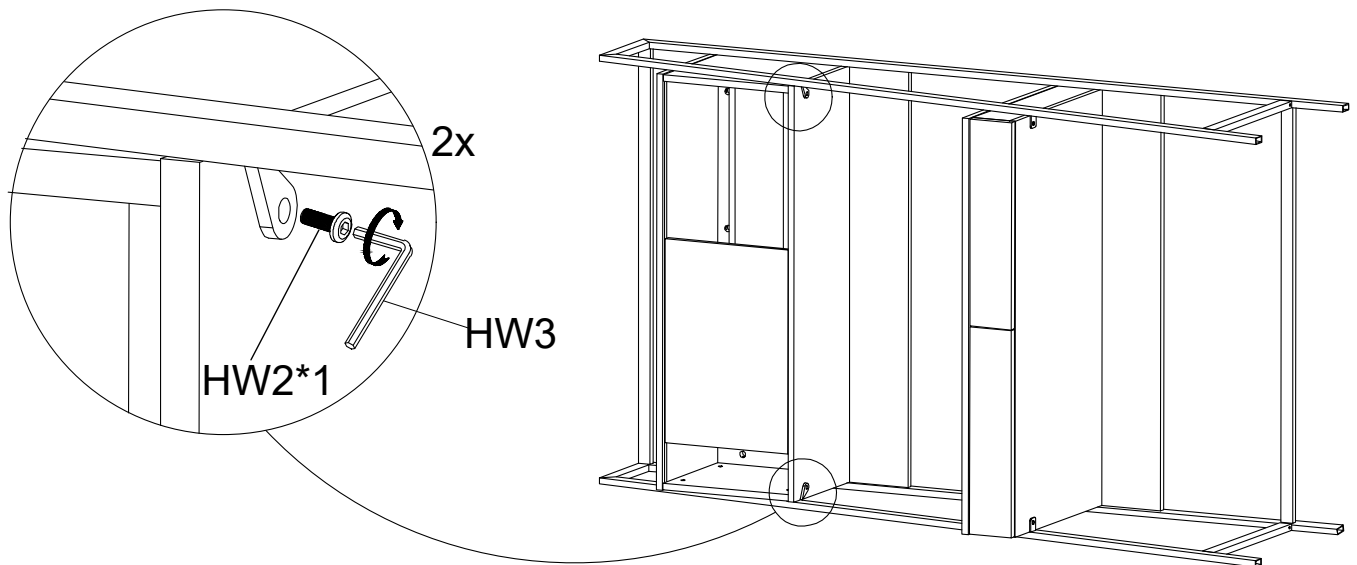
STEP3 assemble the body-2 and back plant.



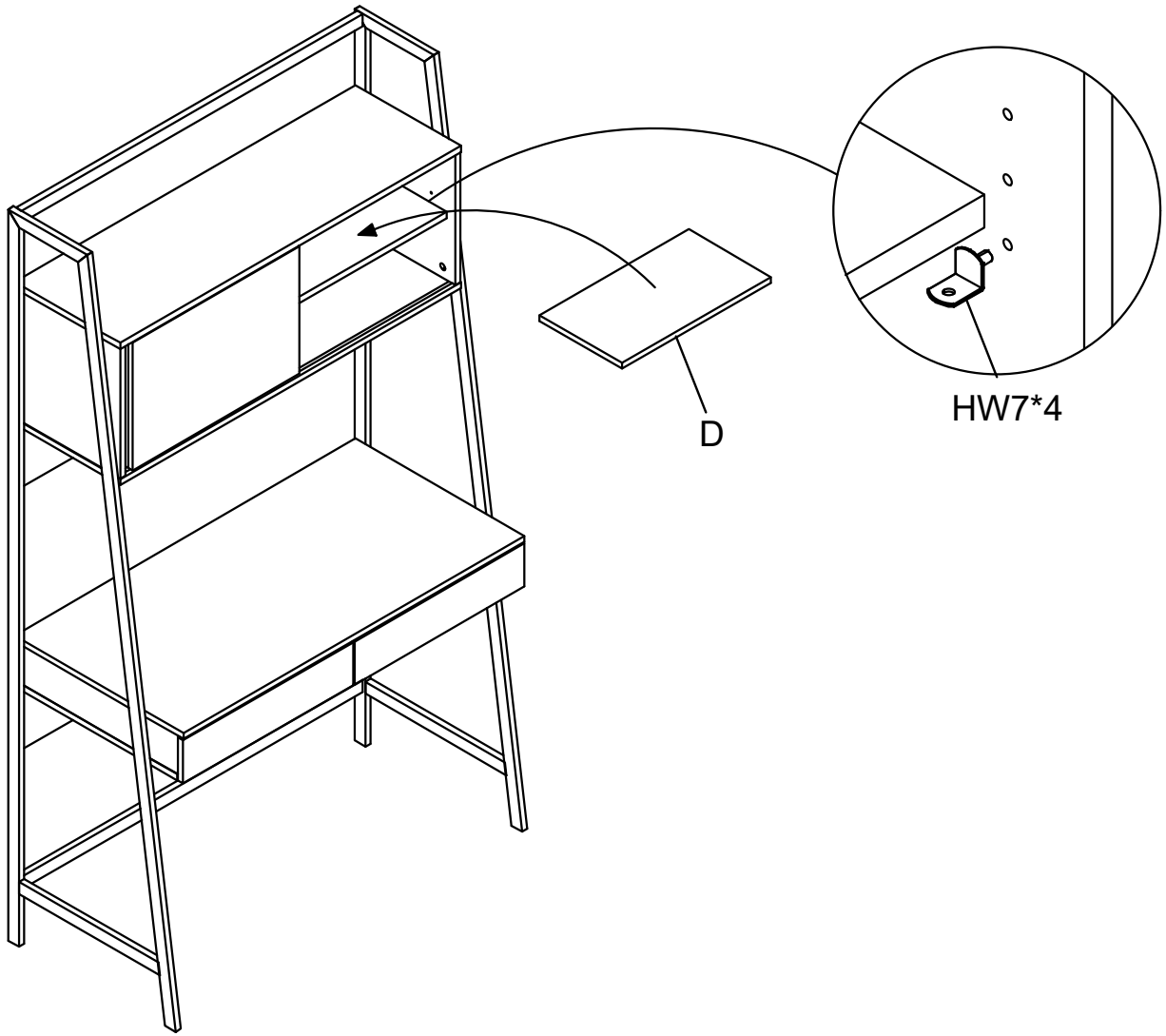
STEP4 assemble the body-2 and metal legs.



STEP5 assemble the body-1 and back plant.



STEP6 assemble the body-1 and metal legs.



STEP7 assemble the shelf on the body-1.