

NOTICE

- * Please make sure that you have all parts indicated and they are in good condition before you begin assembly of this item. Refer to part list and hardware list below for guidance.
- * This item should be assembled on a soft surface to prevent scratching the finish during assembly
- * This item may require periodic tightening.
- * If you are having difficulty, our friendly Customer Care team is always here to help. Please email customersupport@safavieh.com

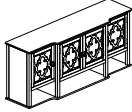





PREPARATION

- * Before beginning assembly of product, make sure all parts are present. Compare parts with part contents list and hardware contents list.
- * If any part is missing or damaged, do not attempt to assemble the product.
- * Estimated Assembly Time: 10 minutes.
- * Tools Required for Assembly (not included): Phillips head screwdriver

CARE AND MAINTENANCE

Spot clean using a mild water-free solvent. Only a professional cleaner should undertake a complete overall cleaning.
The use of steam or water-based cleaners may cause excessive shrinking or staining.

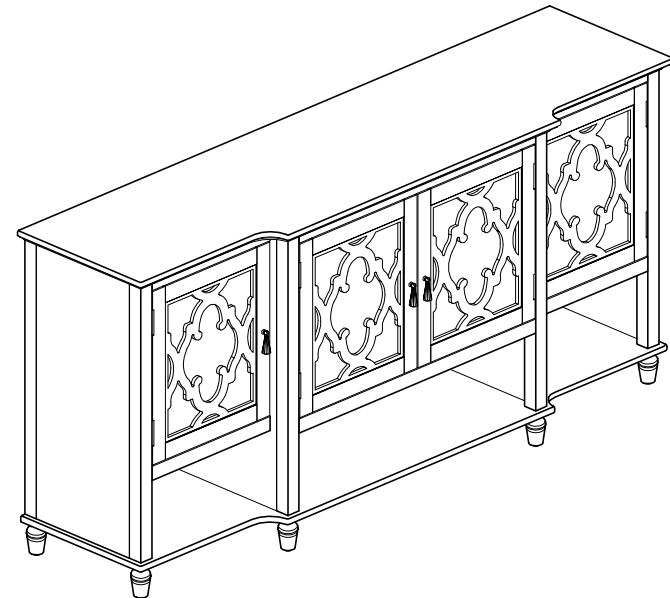
PART LIST AND HARDWARE LIST

PIECE	DESCRIPTION	PICTURE	QUANTITY
A	SIDEBOARD		1X
B	LEGS		6X
C	CENTER LEG		1X
HW1	ANTI TIP KIT		1X
HW2	KNOB		4X
HW3	SMALL BOLT		4X

SAFAVIEH C O U T U R E

Model #: SFV8501

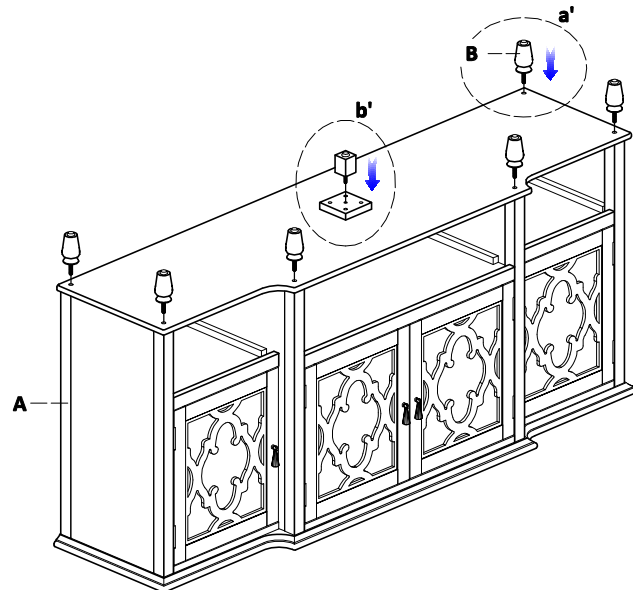
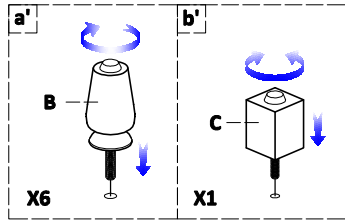
Product Dimensions: 72" W x 19" D x 34" H



Weight capacity: 275lbs
WARNING: DO NOT STAND ON SIDEBOARD
WARNING: DO NOT OVER TORQUE BOLTS

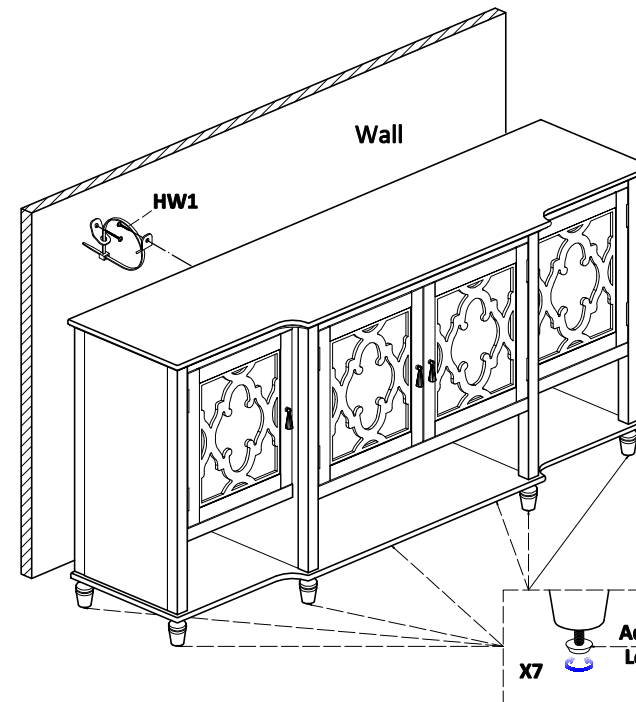
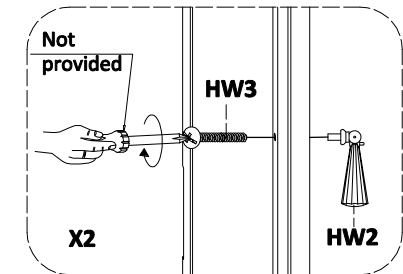
PREPARATION

- * Before beginning assembly of product, make sure all parts are present. Compare parts with package contents list and hardware contents list.
- * If any part is missing or damaged, do not attempt to assemble the product.
- * Estimated Assembly Time: 10 minutes.
- * Tools Required for Assembly (not included): Phillips head screwdriver
- * If you are having difficulty, our friendly Customer Care team is always here to help. Please email customersupport@safavieh.com



Step 1: Attach legs (B) and center leg (C) to sideboard.

★ **PLEASE NOTE:** To help prevent the possibility of tip-over, install the tipover restraint provided.



Step 2: Attach knobs (HW2) on server door using small bolts (HW3) and attach anti tip kit (HW1).