

CARE AND MAINTENANCE

Spot clean using a mild water-free solvent. Only a professional cleaner should undertake a complete overall cleaning.

The use of steam or water-based cleaners may cause excessive shrinking or staining.

NOTICE

* Please make sure that you have all parts indicated before you begin assembly of this item

* This item should be assembled on a soft surface to prevent scratching the finish during assembly

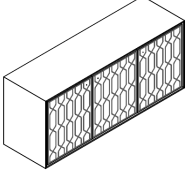




* This item may require periodic tightening

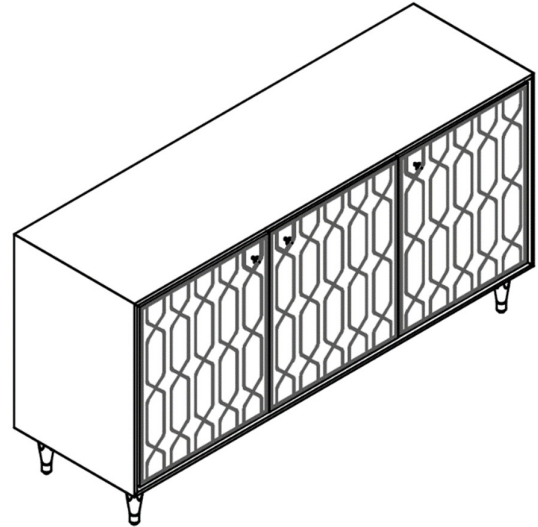
SAFAVIEH C O U T U R E

Model #: SFV8102

Product Dimensions: 60"W x 18 1/8" D x 30 9/16"H

Part List and Hardware List

PIECE	DESCRIPTION	PICTURE	QUANTITY
A	SIDEBOARD		1X
B	LEGS		5X
HW1	HANDLE		3X
HW2	PHILLIPS BOLT M4x25mm		3X
HW3	ANTI TIP KIT		2X



Weight capacity: 265lbs

Warning: DO NOT STAND ON TABLE

Warning: DO NOT OVER TORQUE BOLTS

PREPARATION

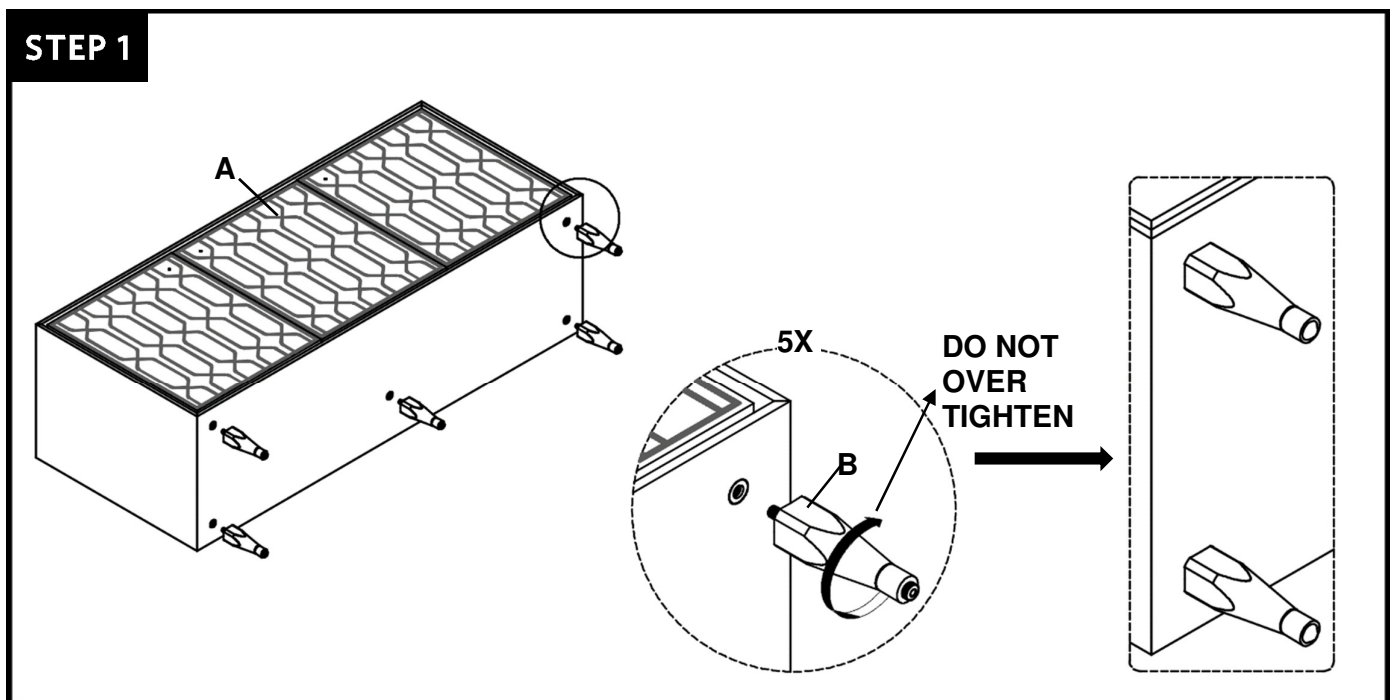
Before beginning assembly of product, make sure all parts are present. Compare parts with package contents list and hardware contents list.

If any part is missing or damaged, do not attempt to assemble the product.

Estimated Assembly Time: 10 minutes

Tools Required for Assembly (Not included): Phillips Screwdriver

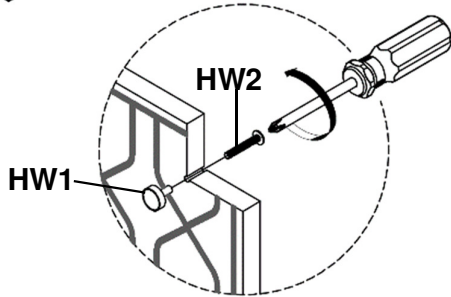
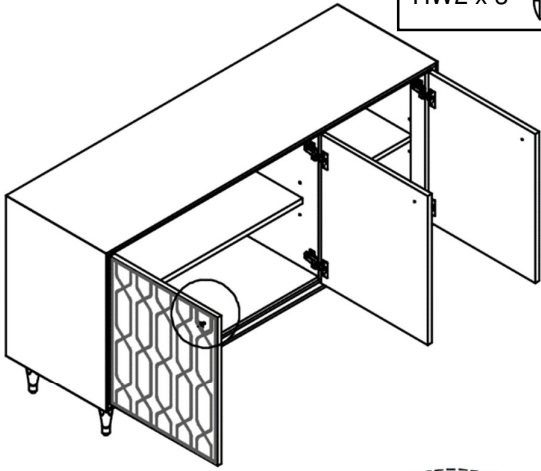
STEP 1



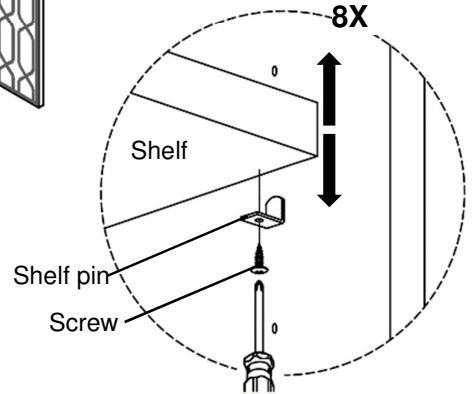
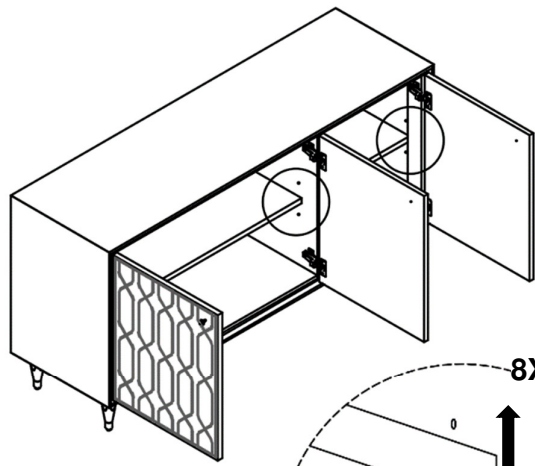
STEP 2

HW1 x 3

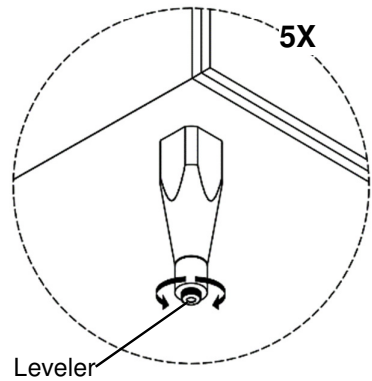
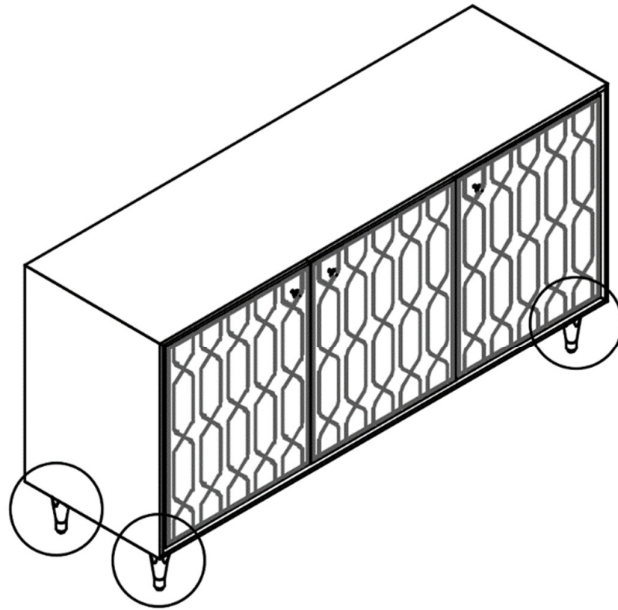
HW2 x 3



STEP 3

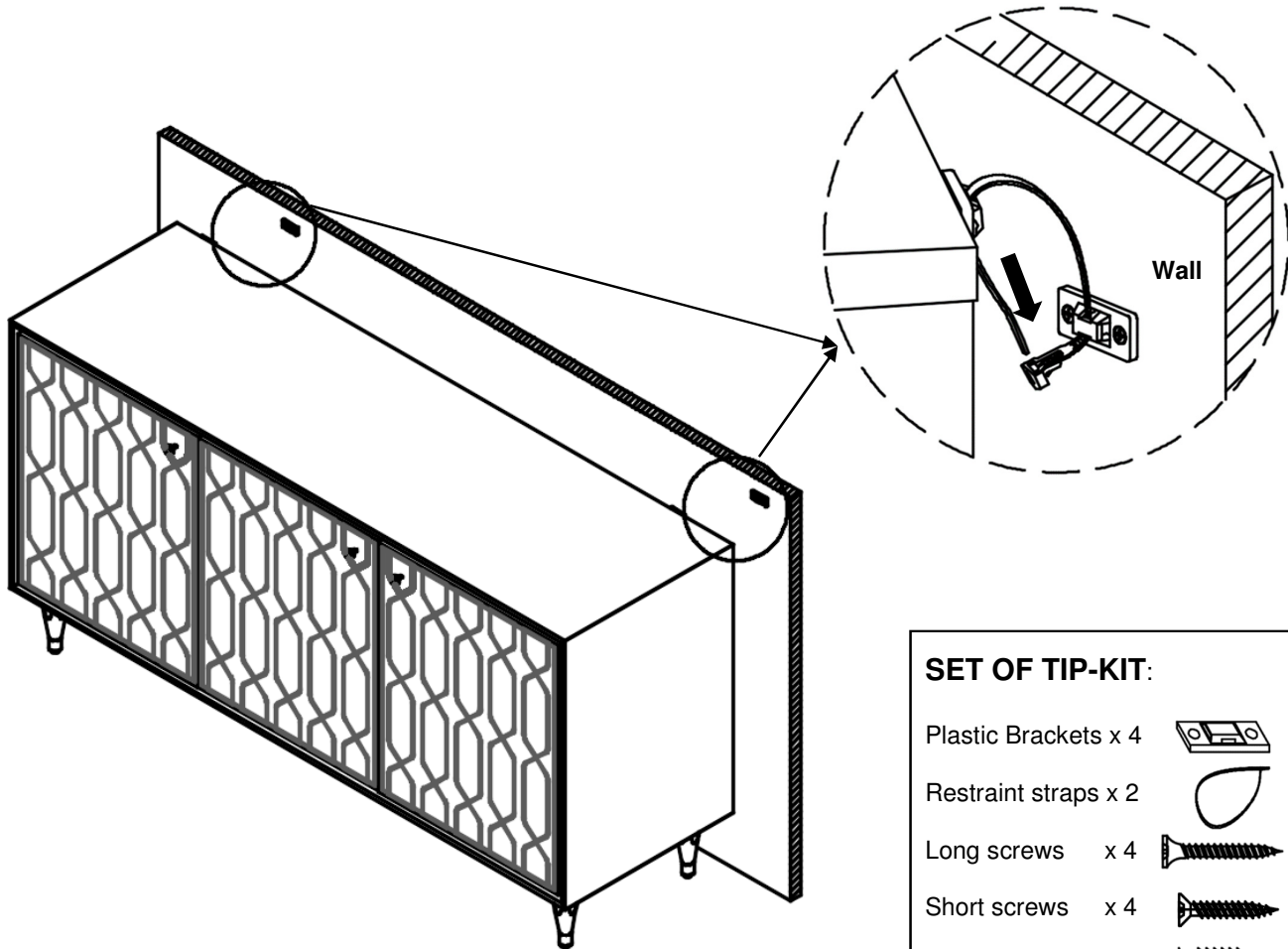
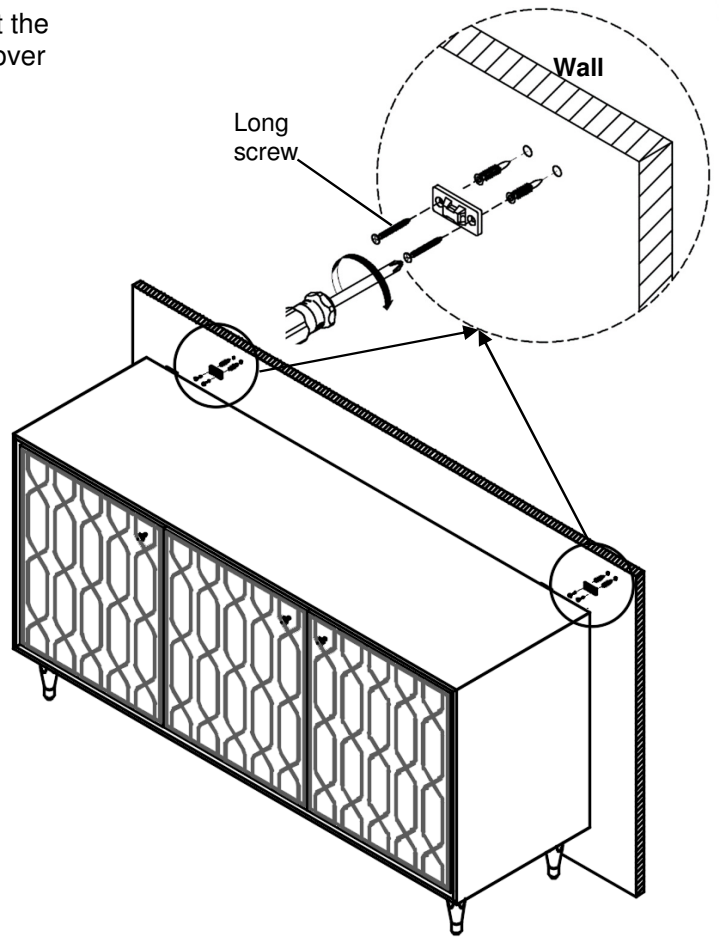
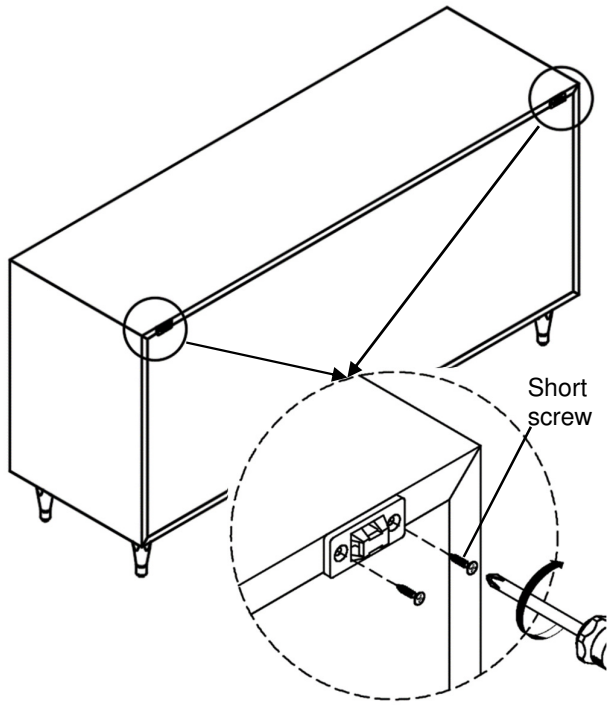


STEP 4







STEP 5

★ **PLEASE NOTE:** To help prevent the possible of tip-over, install the tip-over restraint provided.



SET OF TIP-KIT:

- Plastic Brackets x 4 
- Restraint straps x 2 
- Long screws x 4 
- Short screws x 4 
- Plastic anchor x 4 