

CARE AND MAINTENANCE

Spot clean using a mild water-free solvent. Only a professional cleaner should undertake a complete overall cleaning.

The use of steam or water-based cleaners may cause excessive shrinking or staining.

NOTICE

* Please make sure that you have all parts indicated before you begin assembly of this item

* This item should be assembled on a soft surface to prevent scratching the finish during assembly

* This item may require periodic tightening

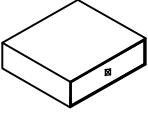
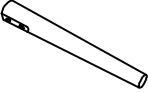




SAFAVIEH

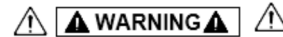
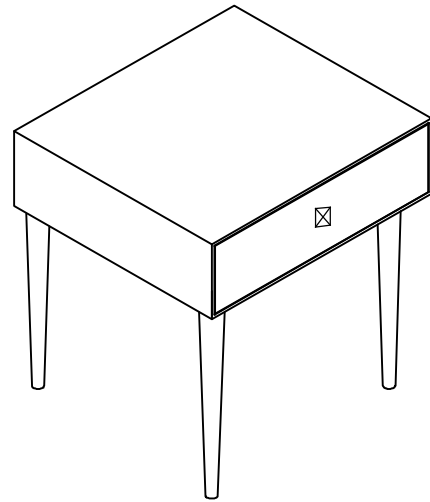
C O U T U R E

Model #: SFV7212

Product Dimensions: 600mm L x 450mm W x 570mm H

Part List and Hardware List

PIECE	DESCRIPTION	PICTURE	QUANTITY
A	BODY		1X
B	LEGS		4X
HW1	JCBC SCREW	 M6x70mm	8X
HW2	SPRING WASHER	 M6	8X
HW3	FLAT WASHER	 M6x13mm	8X
HW4	ALLEN KEY		1X



Weight capacity: 800lbs

Warning: DO NOT STAND ON TABLE

Warning: DO NOT OVER TORQUE BOLTS

PREPARATION


Before beginning assembly of product, make sure all parts are present. Compare parts with package contents list and hardware contents list.

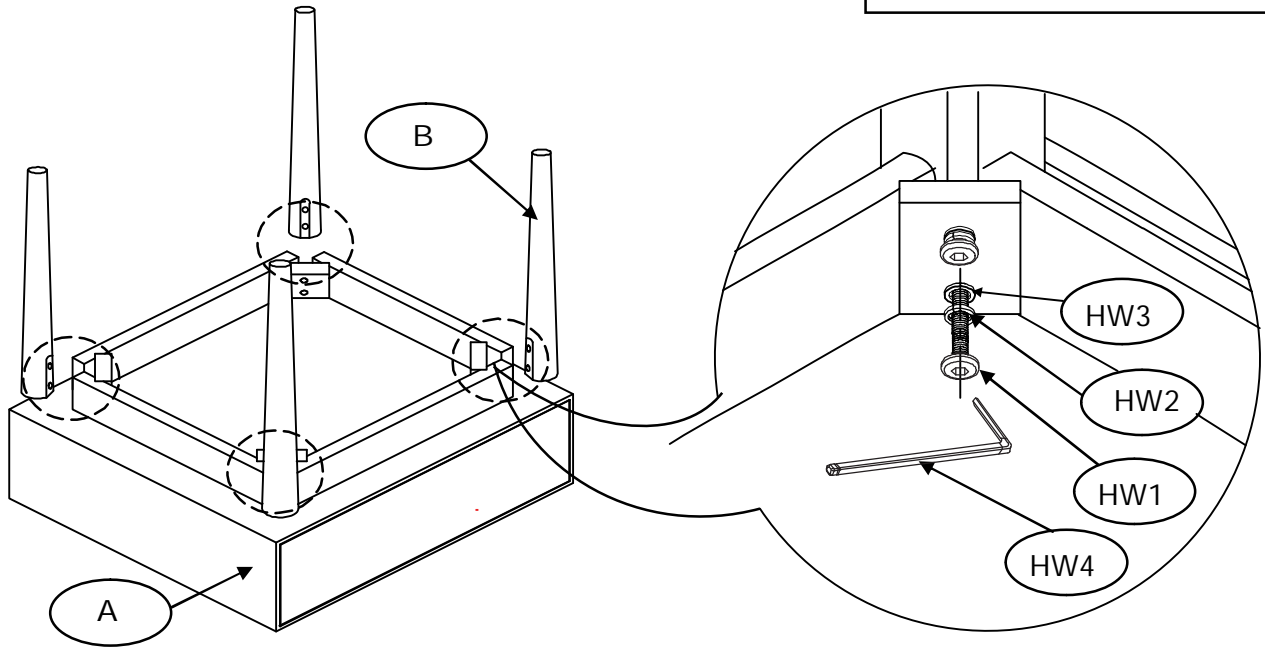
If any part is missing or damaged, do not attempt to assemble the product.

Estimated Assembly Time: 10 minutes

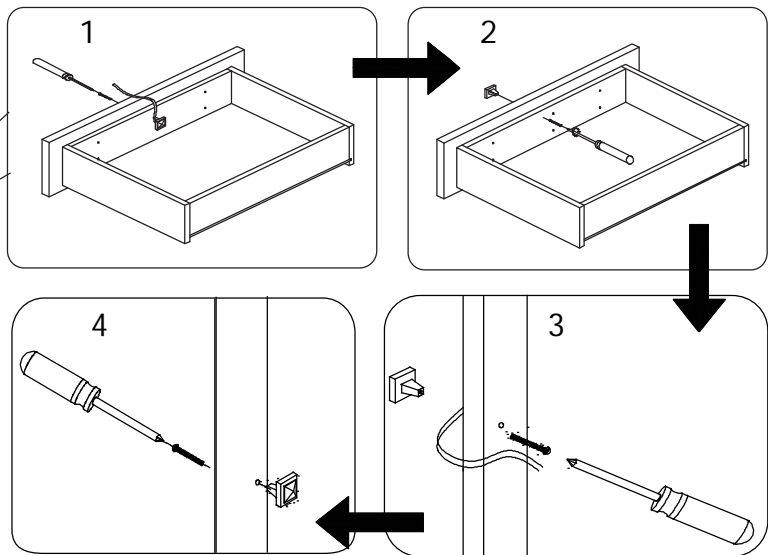
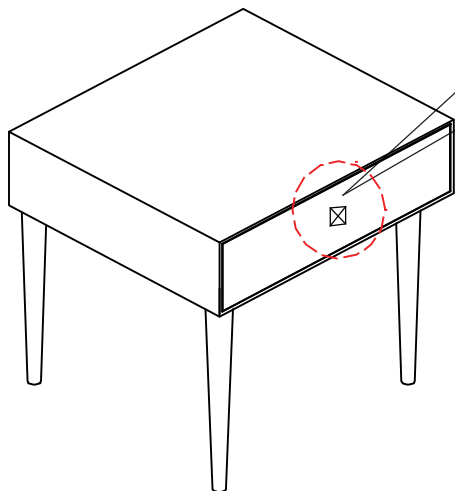
Tools Required for Assembly (Not included): Phillips Screwdriver

STEP 1

- | | | | |
|---------|---|---------|---|
| HW1 x 8 |  | HW3 x 8 |  |
| HW2 x 8 |  | HW4 x 1 |  |



STEP 2



Anti-Tip Kit




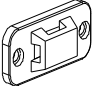
SAFAVIEH C O U T U R E

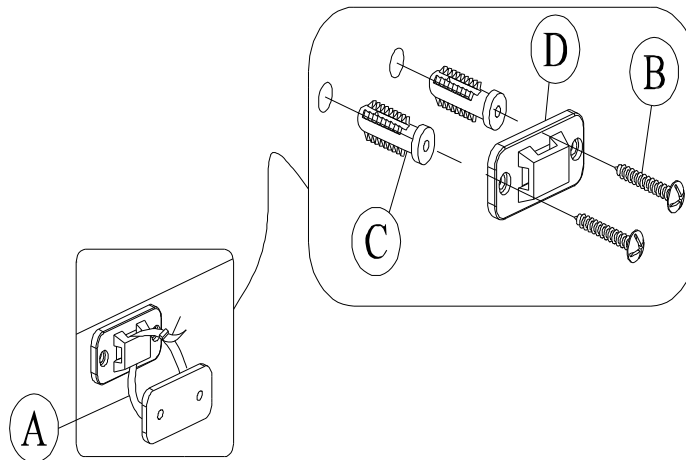
⚠️WARNING

Serious or fatal crushing injuries can occur from furniture tipover.
To prevent tipover:

- Install tipover restraint provided.
 - Place heaviest items in the lower drawers.
 - Unless specifically designed to accommodate, do not set TVs or other heavy objects on top of this product.
 - Never allow children to climb or hang on drawers, doors or shelves.
 - Never open more than one drawer at a time.
 - Do not defeat or remove the drawer interlock system.
- Use of tipover restraints may only reduce, but not eliminate, the risk of tip over.

Parts and Hardware List

PIECE	DESCRIPTION	PICTURE	QUANTITY
A	Nylon Strap		2 PCS
B	Screw		8 PCS
C	Plastic Screw Anchor		4 PCS
D	Wall Bracket		4 PCS



Assembly Steps:

1. Attach one mounting bracket "D" and secure to the back top edge of the furniture using the screw "B".
2. Mark the location on the wall for mounting the second bracket "D". Create the appropriate sized hole in the wall and insert the plastic screw anchor "C". Secure the bracket on the wall using the screw "B".
3. Place the furniture so the bracket on the back edge of unit is lined with the bracket on the wall.
4. Lace the end of the nylon strap "A" down through each of the bracket. Bring both ends together and slide the beaded end of the strap through the keyhole shaped slot on the other end. Pull down on the beaded end until it snap-locks into the keyhole.
5. Check to make sure the strap is securely laced and locked to the brackets.
6. Complete!