

CARE AND MAINTENANCE

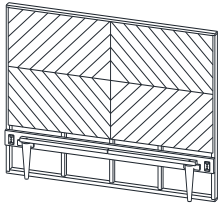

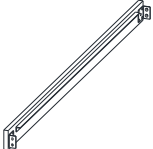
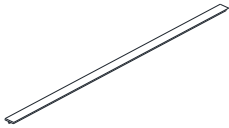
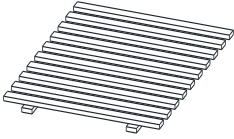
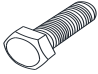

Spot clean using a mild water-free solvent. Only a professional cleaner should undertake a complete overall cleaning.
The use of steam or water-based cleaners may cause excessive shrinking or staining.

SAFAVIEH
COUTURE

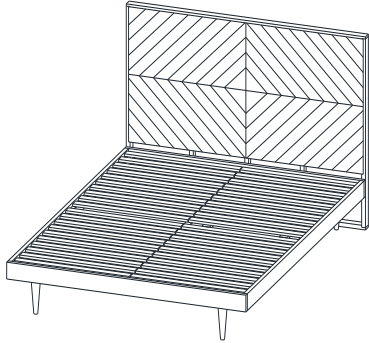
NOTICE

- * Please make sure that you have all parts indicated before you begin assembly of this item
- * This item should be assembled on a soft surface to prevent scratching the finish during assembly
- * This item may require periodic tightening

Part List and Hardware List

PIECE	DESCRIPTION	PICTURE	QUANTITY
A	HEADBOARD		1X
B	FOOTBOARD		1X
C	SIDE RAIL		2X
D	MID RAIL		1X
E	SLAT		4X
H1	HEX BOLT 20x8 mm		8X
H2	SPANNER 16-17		12X

Item# SFV5705A-K
Product dimensions: Mattress 72"W*x80"D*



Weight Capacity: 250bs
WARNING : DO NOT STAND ON BED
WARNING : DO NOT OVER TORQUE BOLTS/SCREWS

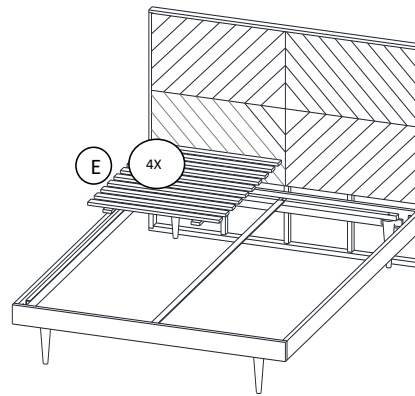
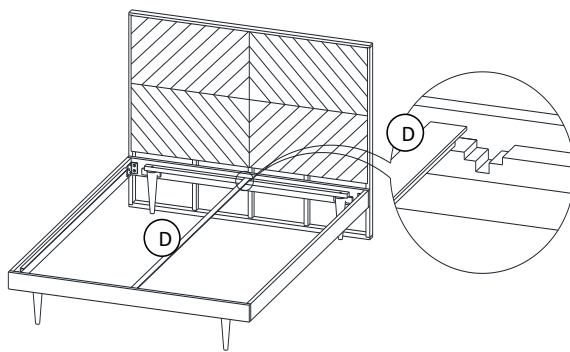
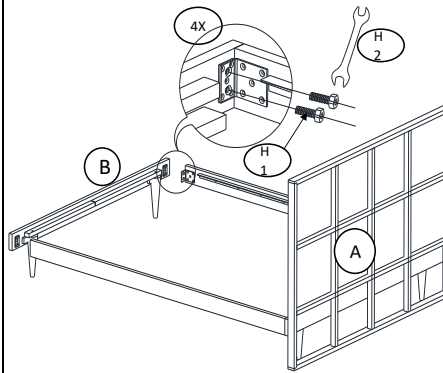
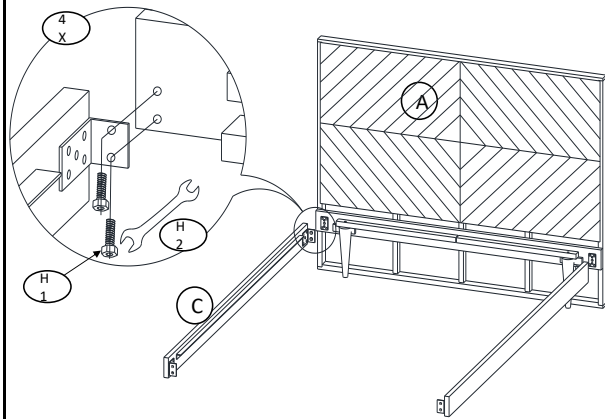
PREPARATION

Before beginning assembly of product, make sure all parts are present. Compare parts with package contents list and hardware contents list.

If any part is missing or damaged, do not attempt to assemble the product.

Estimated Assembly Time: 20 minutes.

Tools Required for Assembly (included): Spanner



STEP1 -Align side rail (C) with Headboard (A) as shown,then insert Bolt (H1) and tighten with Spanner (H2). Repeat the same process for other side

STEP2: Align side rail (C) with Footboard (B) as shown,then insert Bolt (H1) and tighten with Spanner (H2). Repeat the same process for other side

STEP3: Place Mid Rail (D) in the Slot of Headboard & Footboard.

STEP4: Place Slat (E) Gently.

CARE AND MAINTENANCE

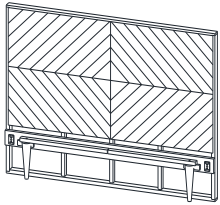
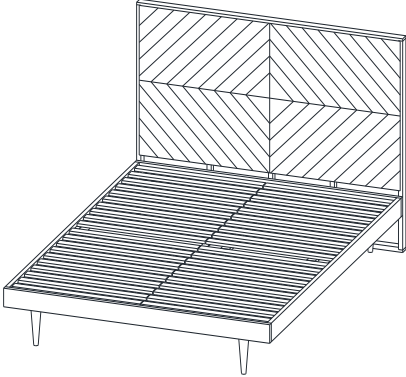

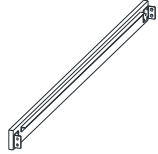
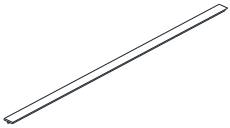
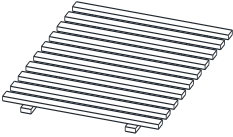
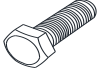

Spot clean using a mild water-free solvent. Only a professional cleaner should undertake a complete overall cleaning.
The use of steam or water-based cleaners may cause excessive shrinking or staining.

SAFAVIEH
COUTURE

NOTICE

- * Please make sure that you have all parts indicated before you begin assembly of this item
- * This item should be assembled on a soft surface to prevent scratching the finish during assembly
- * This item may require periodic tightening

Part List and Hardware List

PIECE	DESCRIPTION	PICTURE	QUANTITY	
A	HEADBOARD		1X	<p>Item# SFV5705A-Q Product dimensions: Mattress 60"W*x80"D*</p>  <p>Weight Capacity: 250lbs WARNING : DO NOT STAND ON BED WARNING : DO NOT OVER TORQUE BOLTS/SCREWS</p>
B	FOOTBOARD		1X	
C	SIDE RAIL		2X	
D	MID RAIL		1X	
E	SLAT		4X	
H1	HEX BOLT 20x8 mm		8X	
H2	SPANNER 16-17		12X	

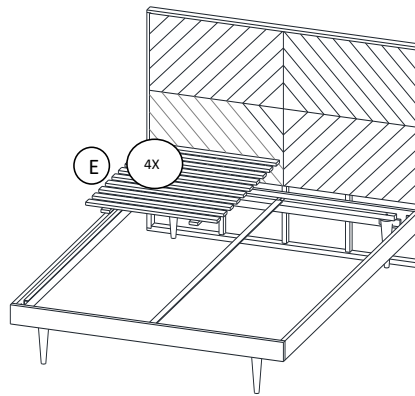
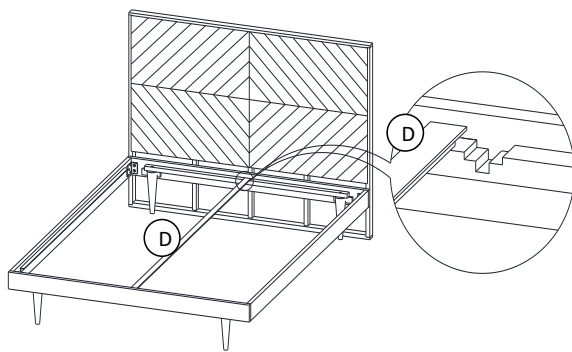
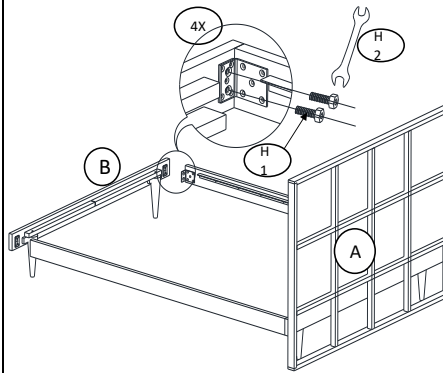
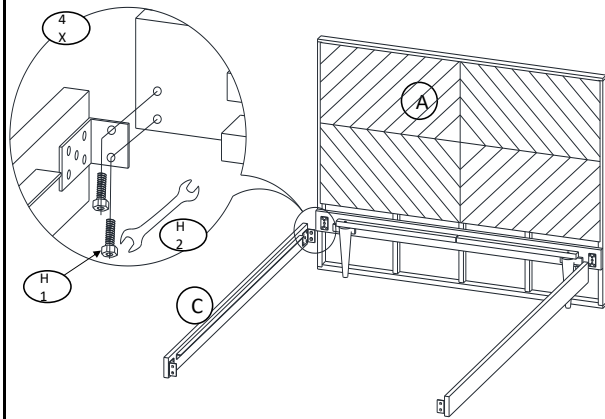
PREPARATION

Before beginning assembly of product, make sure all parts are present. Compare parts with package contents list and hardware contents list.

If any part is missing or damaged, do not attempt to assemble the product.

Estimated Assembly Time: 20 minutes.

Tools Required for Assembly (included): Spanner



STEP1 -Align side rail (C) with Headboard (A) as shown,then insert Bolt (H1) and tighten with Spanner (H2). Repeat the same process for other side

STEP2: Align side rail (C) with Footboard (B) as shown,then insert Bolt (H1) and tighten with Spanner (H2). Repeat the same process for other side

STEP3: Place Mid Rail (D) in the Slot of Headboard & Footboard.

STEP4: Place Slat (E) Gently.