

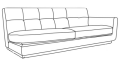







CARE AND MAINTENANCE

Spot clean using a mild water-free solvent. Only a professional cleaner should undertake a complete overall cleaning.
The use of steam or water-based cleaners may cause excessive shrinking or staining.

NOTICE

- * Please make sure that you have all parts indicated before you begin assembly of this item
- * This item should be assembled on a soft surface to prevent scratching the finish during assembly
- * This item may require periodic tightening

Part List and Hardware List

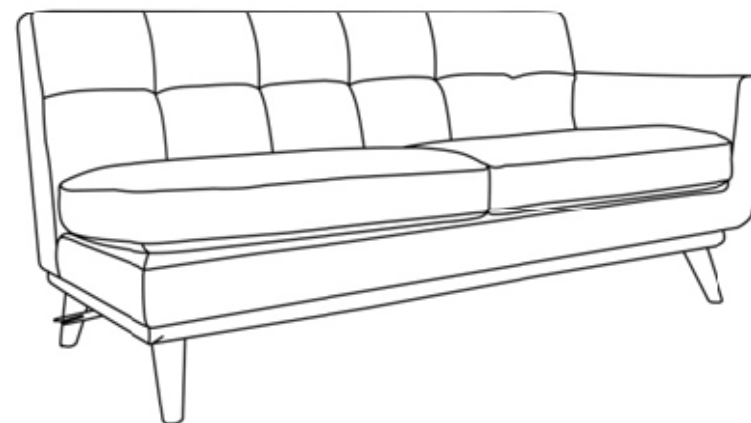
PIECE	DESCRIPTION	PICTURE	QUANTITY
A	Sectional Loveseat Seat		1X
B	Leg		4X
HW1	Split Lock washer(M6)		8X
HW2	Flat Washer(M6)		8X
HW3	Socket Screws 6*1.05*65MM		8X
HW4	Allen Key		1X
HW5	Clip		1X
HW6	Screw		4X

SAFAVIEH COUTURE

SFV4730-1/2

Dimensions: 61.42"W*33.07"D*32.68"H

Weight Capacity: 825 lbs



WARNING: DO NOT STAND ON SOFA

WARNING: DO NOT OVER TORQUE BOLTS/SCREWS

**The legs and hardware are located underneath the
Sofa in the zipper compartment**

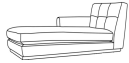







CARE AND MAINTENANCE

Spot clean using a mild water-free solvent. Only a professional cleaner should undertake a complete overall cleaning.
The use of steam or water-based cleaners may cause excessive shrinking or staining.

NOTICE

- * Please make sure that you have all parts indicated before you begin assembly of this item
- * This item should be assembled on a soft surface to prevent scratching the finish during assembly
- * This item may require periodic tightening

Part List and Hardware List

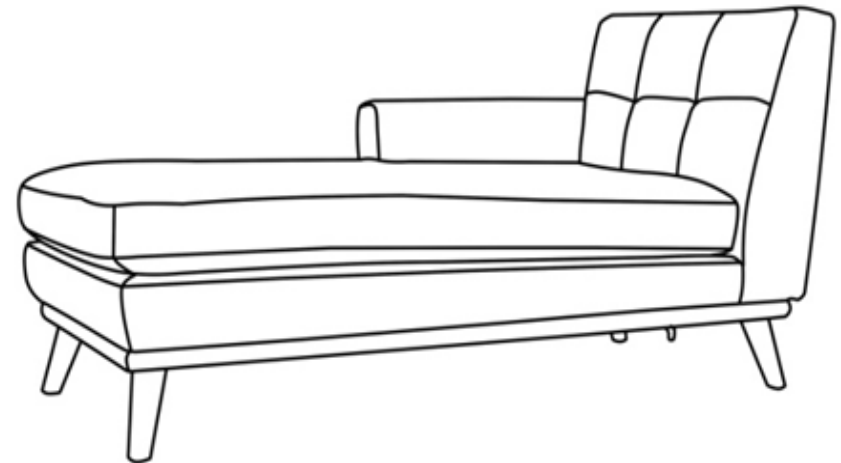
PIECE	DESCRIPTION	PICTURE	QUANTITY
A	Sectional Chaise Seat		1X
B	Leg		4X
HW1	Split Lock Washer(M6)		8X
HW2	Flat Washer(M6)		8X
HW3	Socket Screws 6*1.05*65MM		8X
HW4	Allen Key		1X
HW5	Clip post		1X
HW6	Screw		2X

SAFAVIEH COUTURE

SFV4730-2/2

Dimensions: 33.86"W*66.14"D*32.68"H

Weight Capacity: 825 lbs



WARNING: DO NOT STAND ON CHAISE

WARNING: DO NOT OVER TORQUE BOLTS/SCREWS

The legs and hardware are located underneath the Chaise in the zipper compartment

PREPARATION

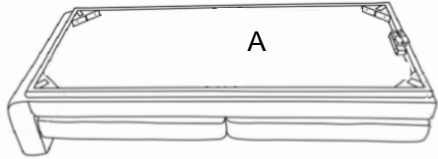
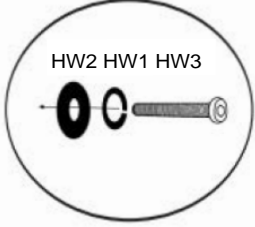
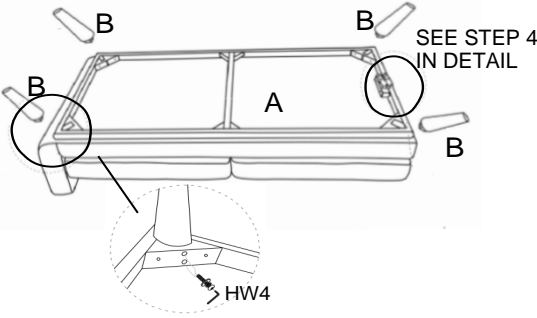
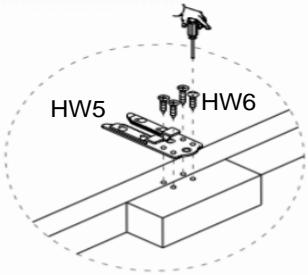
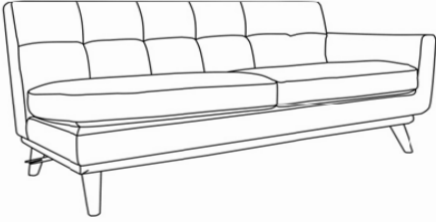
Before beginning assembly of product, make sure all parts are present. Compare parts with package contents list and hardware contents list.

If any part is missing or damaged, do not attempt to assemble the product.

Estimated Assembly Time: 10 minutes.

Tools Required for Assembly : Allen key and screw driver(not included)

SFV4730-1/2

		
<p>STEP1 OPEN THE ZIPPER ON THE UNDERSIDE OF THE SEAT, TAKE OUT LEGS AND HARDWARE</p>	<p>STEP2 PUT THE WASHERS ON THE SCREW IN THE ORDER SHOWN IN THE PICTURE.</p>	<p>STEP3 INSERT THE LEGS AND SCREW INTO THE HOLES AND TIGHTEN THE SCREWS BY USING ALLEN KEY</p>
		
<p>STEP4 SECURE CLIP TO THE BOTTOM OF SEAT BY USING 4PCS SCREWS. TIGHTEN ALL SCREWS WITH A PHILLIPSS HEAD SCREWDRIVER (NOT INCLUDED).</p>	<p>STEP5 CLOSE THE ZIPPER ON THE UNDERSIDE OF THE SEAT AND PUT THE LOVESEAT UPRIGHT</p>	
<p>The legs and hardware are located underneath the Loveseat in the zipper compartment.</p>		

PREPARATION

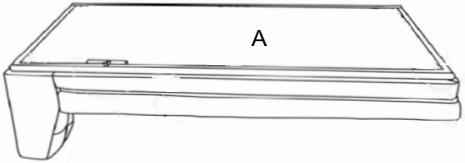
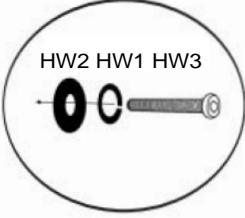
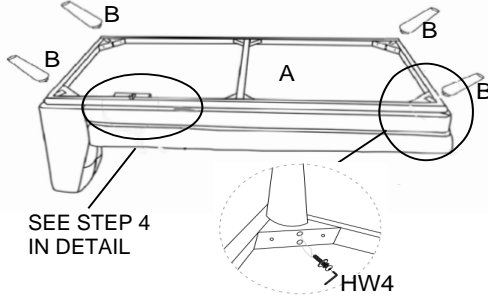
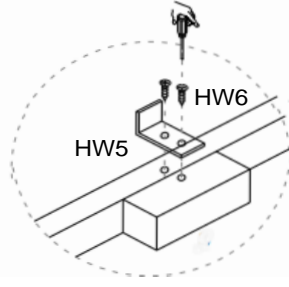
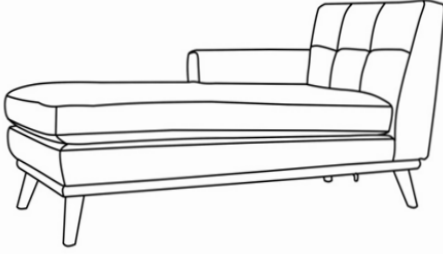
Before beginning assembly of product, make sure all parts are present. Compare parts with package contents list and hardware contents list.

If any part is missing or damaged, do not attempt to assemble the product.

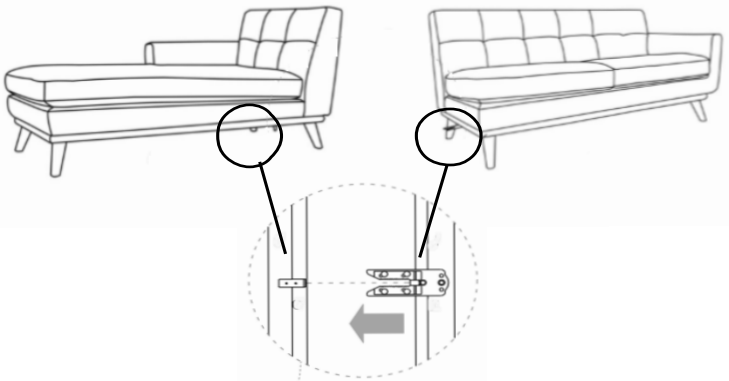
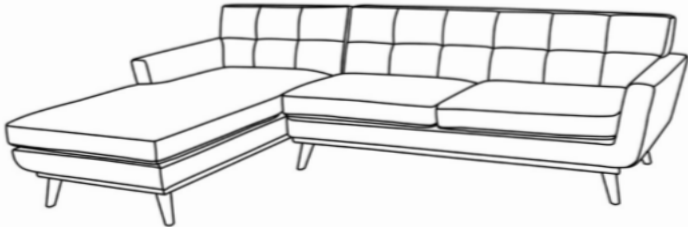
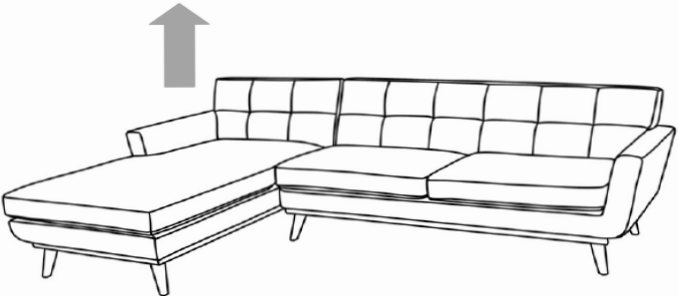
Estimated Assembly Time: 10 minutes.

Tools Required for Assembly : Allen key and screw driver(not included)

SFV4730-2/2

		
<p>STEP1 OPEN THE ZIPPER ON THE UNDERSIDE OF THE SEAT AND TAKE OUT LEGS AND HARDWARE</p>	<p>STEP2 PUT THE WASHERS ON THE SCREW IN THE ORDER SHOWN IN THE PICTURE.</p>	<p>STEP3 INSERT THE LEG AND SCREW INTO THE HOLES AND TIGHTEN THE SCREWS BY USING ALLEN KEY</p>
		
<p>STEP4 SECURE CLIP TO THE BOTTOM OF SEAT BY USING 2PCS SCREWS. TIGHTEN ALL SCREWS WITH A PHILLIPSS HEAD SCREWDRIVER (NOT INCLUDED).</p>	<p>STEP5 CLOSE THE ZIPPER ON THE UNDERSIDE OF THE SEAT AND PUT THE CHAISE UPRIGHT</p>	
<p>The legs and hardware are located underneath the Chaise in the zipper compartment.</p>		

After assembly Loveseat and Chaise, please connect them as following steps:

	
<p>STEP1 Align the Clip on the bottom of sectional Loveseat to the Clip Posts on the bottom of Sectional Chaise as shown.</p>	<p>STEP2 Push the Loveseat close to Chaise slowly until the Clip and the Post click together tightly.</p>
	
<p>If you want to unlock the sofa. Please lift up the Chaise by two people.</p>	
<p>The legs and hardware are located underneath the product in the zipper compartment.</p>	