

## NOTICE

- \* Please make sure that you have all parts indicated and they are in good condition before you begin assembly of this item. Refer to part list and hardware list below for guidance.
- \* This item should be assembled on a soft surface to prevent scratching the finish during assembly.
- \* This item may require periodic tightening.
- \* If you are having difficulty, our friendly Customer Care team is always here to help. Please email [customersupport@safavieh.com](mailto:customersupport@safavieh.com)



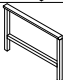
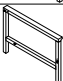
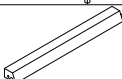
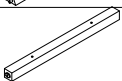
## PREPARATION


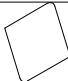
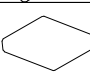


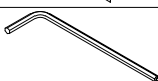
- \* Before beginning assembly of product, make sure all parts are present. Compare parts with part contents list and hardware contents list.
- \* If any part is missing or damaged, do not attempt to assemble the product.
- \* Estimated Assembly Time: 15 minutes.
- \* Tools Required for Assembly: Allen key.

## CARE AND MAINTENANCE

- \* Dust regularly with small brush or vacuum. Spills should be taken care of immediately before they harden or stain, by wiping with a soft, damp cloth. Do not rinse with high pressure hose. Use a sponge with mild detergent and warm water to remove hard stain or soil. Allow it air dry completely in a shady spot before re-using.
- \* To prevent overall soiling, frequent vacuuming or light brushing is recommended. Cushions and pillows should be turned on a weekly basis. Down-filled cushions should be brushed rather than vacuumed. Spot clean, using a mild water-free solvent or dry cleaning product. Only a professional cleaner should undertake a complete overall cleaning. The use of steam or water-based cleaners may cause excessive shrinking or staining.

### Part List and Hardware List

PIECE	DESCRIPTION	PICTURE	QUANTITY
A	Back Frame		1X
B	Seat Frame		1X
C	Leg Frame-1		1X
D	Leg Frame-2		1X
E	Upper Bar		1X
F	Back Bar		1X

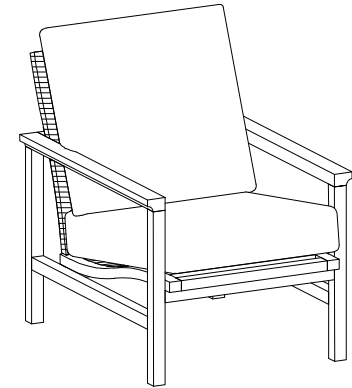
G	Front Bar		1X
H	Back Cushion		1X
I	Seat Cushion		1X
HW1	Socket Bolts M6x1.0x50mm		10X
HW2	Semicircle Washer 8x15x30mm		6X
HW3	Allen Key		1X

# SAFAVIEH

## COU T U R E

Model #: SFV4143

Product Dimensions: 27.6" W x 36.8" D x 31.1"H



**! WARNING !**

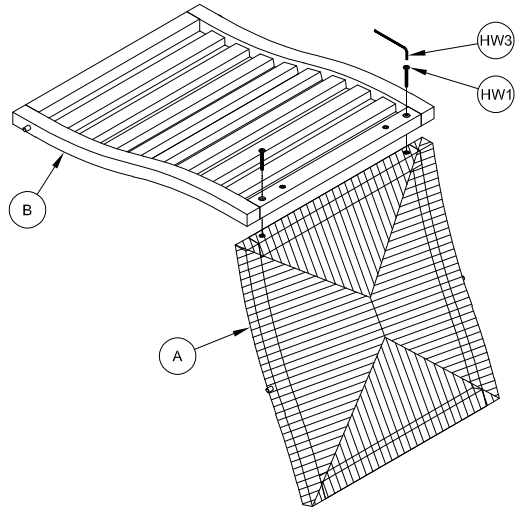
Weight capacity: 275 LBS

Warning: Do not stand on Chair

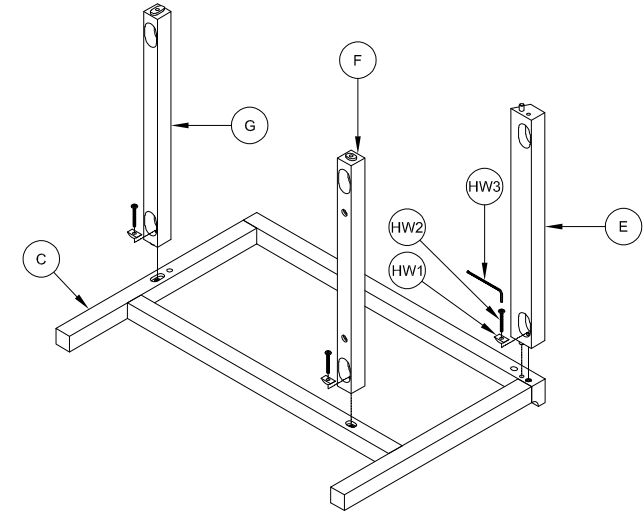
Warning: Do not over torque Bolts

# PREPARATION

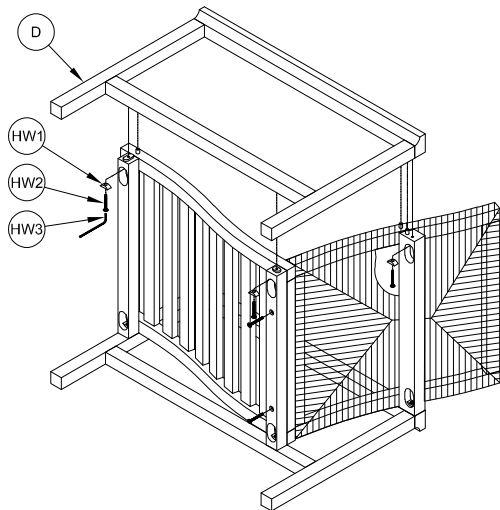
- \* Before beginning assembly of product, make sure all parts are present. Compare parts with part contents list and hardware contents list.
- \* If any part is missing or damaged, do not attempt to assemble the product.
- \* Estimated Assembly Time: 15 minutes.
- \* Tools Required for Assembly: Allen key.
- \* If you are having difficulty, our friendly Customer Care team is always here to help. Please email [customersupport@safavieh.com](mailto:customersupport@safavieh.com)



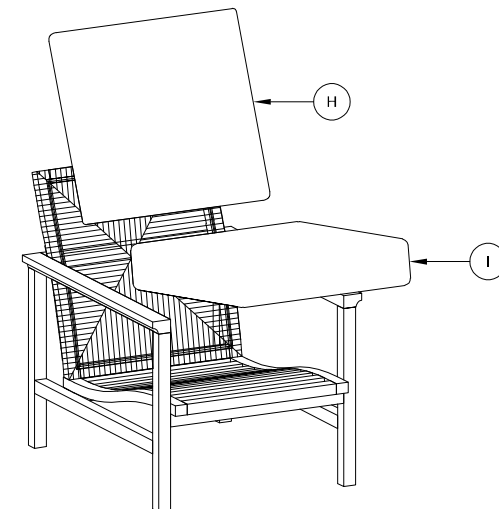
STEP 1: Attach the seat to the chair back. Make sure to apply all the bolts into the holes properly before tightening.



STEP 2: Assemble the upper, back and front bar as illustrated in picture.



STEP 3: Attach the leg frame as illustrated in picture.



STEP 4: Attach the cushions as illustrated in picture.