

CARE AND MAINTENANCE


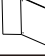






Spot clean using a mild water-free solvent. Only a professional cleaner should undertake a complete overall cleaning.

The use of steam or water-based cleaners may cause excessive shrinking or staining.

NOTICE

- * Please make sure that you have all parts indicated before you begin assembly of this item.
- * This item should be assembled on a soft surface to prevent scratching the finish during assembly.
- * This item may require periodic tightening.

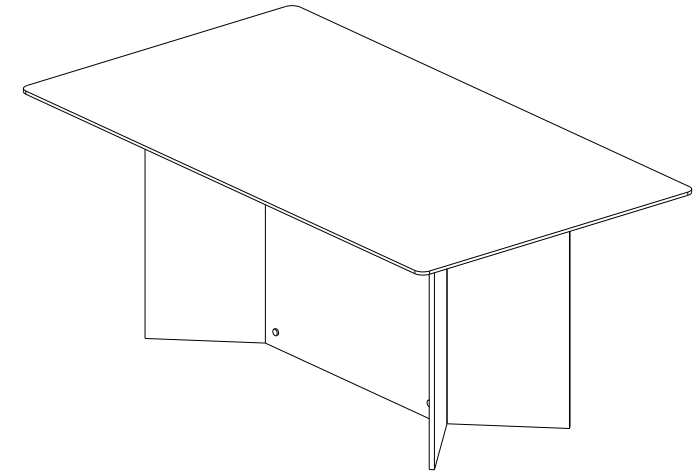
Part List and Hardware List

PIECE	DESCRIPTION	PICTURE	QUANTITY
A	Desktop		1×
B	Leg of a table		2×
H1	Mirror nail		8×
H2	Brass parts		8×
H3	Shim		8×
H4	Screw(M5×30mm)		4×
H5	Nut(M5)		4×
H6	Silicone antiskid pad (50mm)		12×

SAFAVIEH C O U T U R E

Model# SFV3110

Product Dimensions:72"W×40"D×29.5"H



Weight Capacity: **100 lbs**

WARNING: DO NOT STAND ON TABLE

WARNING: DO NOT OVER TORQUE BOLTS/SCREWS



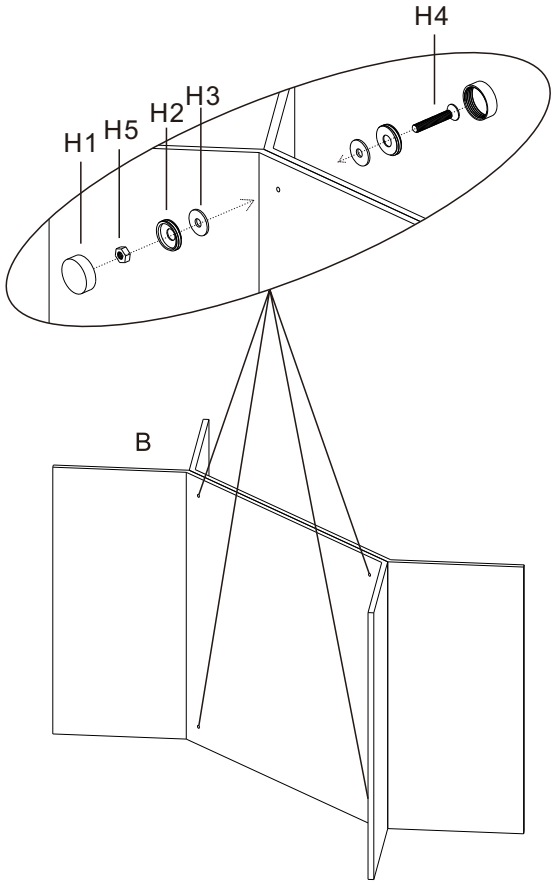
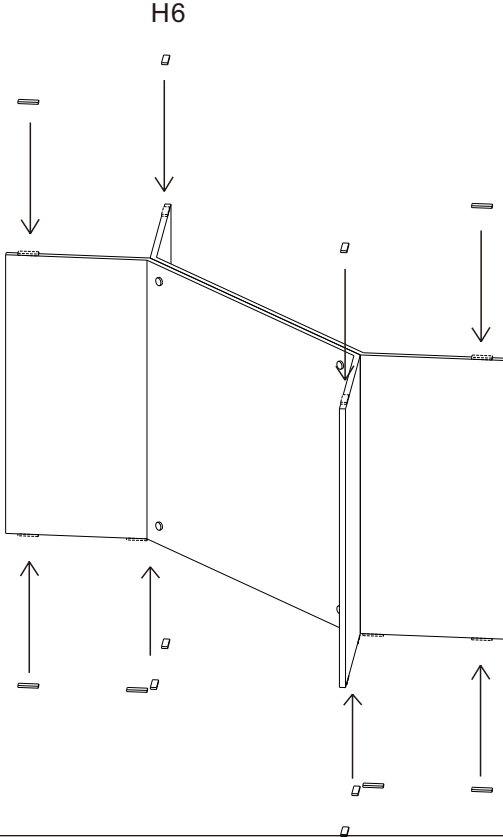
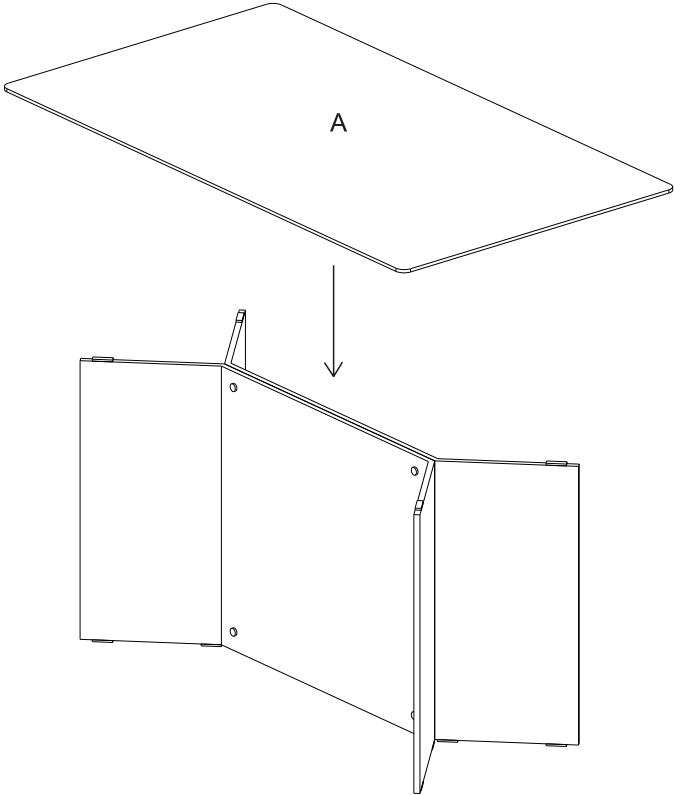
The legs and hardware, including the glass are located in the box(the same compartment), make sure to take them all out.

PREPARATION

Before beginning assembly of product, make sure all parts are present. Compare parts with package contents list and hardware contents list. If any part is missing or damaged, do not attempt to assemble the product.

Estimated Assembly Time: 10 minutes.

Tools required for assembly (self provided): cross screwdriver.

		
<p>STEP1 Screw the accessories H1, H2, H3, H4 and H5 into the leg hole position according to the enlarged drawing above. If H4 is too long after screwing and H1 cannot be covered, H3 can be taken out and not used.</p>	<p>STEP2 Then attach the H6 to each position above.</p>	<p>STEP3 Finally, put desktop A up and adjust it to the right position. Installation complete!</p>

The legs and hardware, including the glass are located in the box(the same compartment), make sure to take them all out.