

# CARE AND MAINTENANCE













Spot clean using a mild water-free solvent. Only a professional cleaner should undertake a complete overall cleaning.

The use of steam or water-based cleaners may cause excessive shrinking or staining.

## NOTICE

- \* Please make sure that you have all parts indicated before you begin assembly of this item.
- \* This item should be assembled on a soft surface to prevent scratching the finish during assembly.
- \* This item may require periodic tightening.

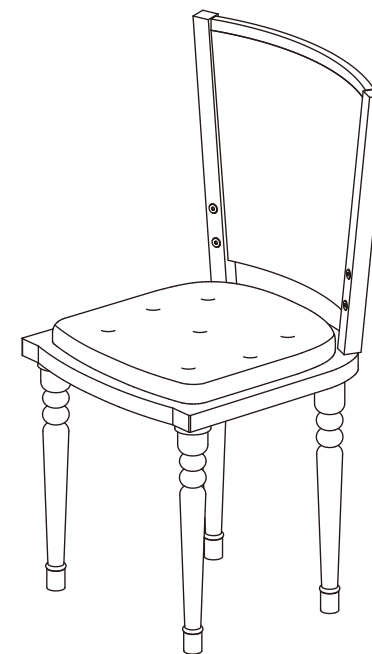
## Part List and Hardware List

PIECE	DESCRIPTION	PICTURE	QUANTITY
A	Back part		1×
B	Seat frame		1×
C	Iron joint		2×
D	Cushion		1×
E	Front leg		2×
F	Back let		2×
H1	Key		1×(5mm)
H2	Bolt M8		2×(M8×60mm)
H3	Bolt M8		4×(M8×40mm)
H4	Bolt M8		2×(M8×30mm)
H5	Bolt M4		4×(M4×30mm)
H6	Wrench		1×

# SAFAVIEH C O U T U R E

Model# SFV3105

Product Dimensions: 20"W × 16.5"D × 36"H



Weight Capacity: 275 lbs

**WARNING: DO NOT OVER TORQUE BOLTS/SCREWS**



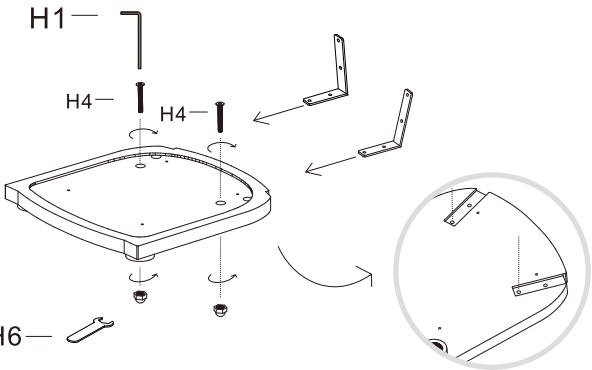
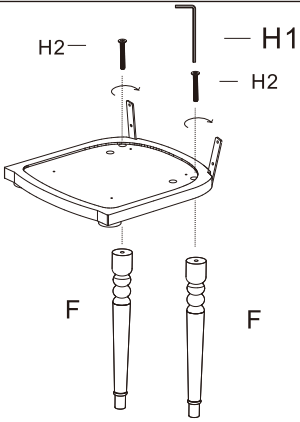
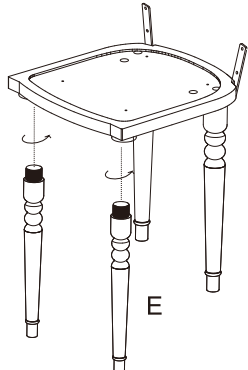
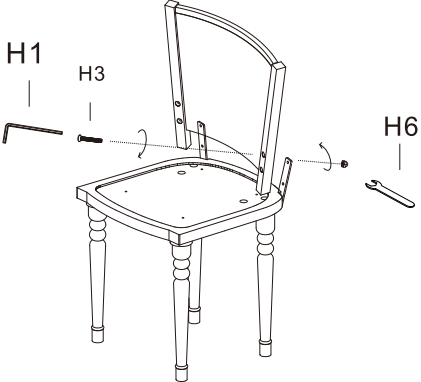
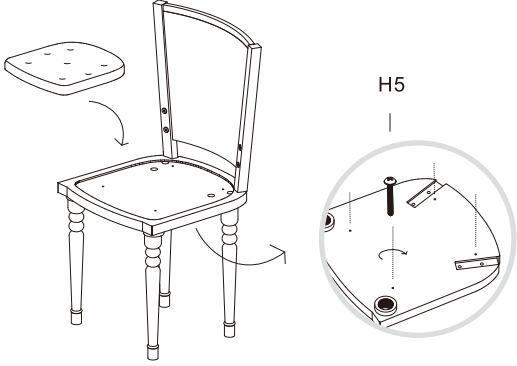
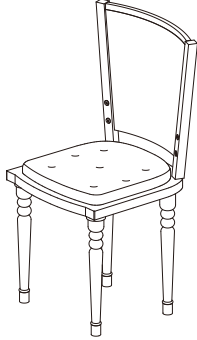
**The legs and hardware, including the glass are located in the box(the same compartment), make sure to take them all out.**

## PREPARATION

Before beginning assembly of product, make sure all parts are present. Compare parts with package contents list and hardware contents list. If any part is missing or damaged, do not attempt to assemble the product.

Estimated Assembly Time: 20 minutes.

Tools Required for Assembly (included): Allen Keys

		
<p><b>STEP1</b> TAKE OUT ALL PARTS AND HARDWARE, START FROM THE SEAT FRAME PART FIRST(B), SLIDE IRON PART IN(C), FASTEN BOLT (H4) AS PICS ABOVE, THEN FINISHE ANOTHER UNIT, USE H1 TO HELP</p>	<p><b>STEP2</b> CONTINUE WITH TWO BACK LEGS(F) ON RIGHT PLACES AS PICS SHOWN, FASTEN TWO BOLTS(H2) SUCCESSIVELY, USE H1 TO HELP</p>	<p><b>STEP3</b> THEN MOUNT THE FRONT LEGS(E), JUST ROTATE TWO LEGS IN, AND CHECK THOSE TWO WERE FASTENED AND STABLE</p>
		
<p><b>STEP4</b> CONTINUE WITH THE BACK PART(A), FOUR BOLTS FASTENED HERE SUCCESSIVELY(H3), USE H1 TO HELP</p>	<p><b>STEP5</b> DOUBLE CHECK THE STABILITY OF THE ALREADY FINISHED PARTS, THEN MOUNT THE CUSHION PART RIGHT IN PLACE AS PICS ABOVE, FASTEN FOUR SCREWS IN(H5) USING FAMILY TOOL</p>	<p><b>STEP6</b> NOW CHECK AGAIN THE STABILITY OF THE FINISHED CHAIR, PERIODIC TIGHTENING MAY REQUIRED</p>

**The legs and hardware, including the glass are located in the box(the same compartment), make sure to take them all out.**