

CARE AND MAINTENANCE

Spot clean using a mild water-free solvent. Only a professional cleaner should undertake a complete overall cleaning.

The use of steam or water-based cleaners may cause excessive shrinking or staining.








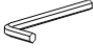

NOTICE

* Please make sure that you have all parts indicated before you begin assembly of this item

* This item should be assembled on a soft surface to prevent scratching the finish during assembly

* This item may require periodic tightening

Part List and Hardware List

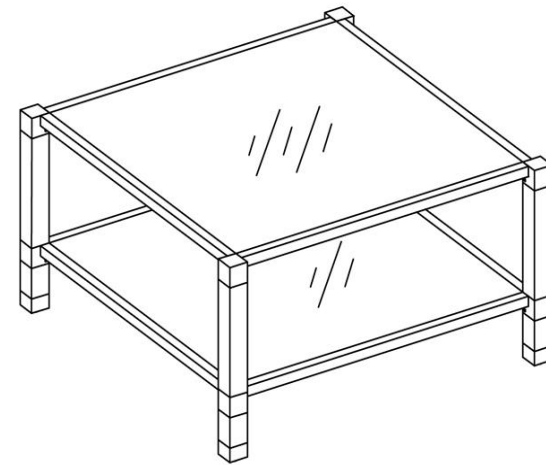
PIECE	DESCRIPTION	PICTURE	QUANTITY
A	FRAME		2X
B	GLASS		1X
C	MIRROR		1X
D	ACRYLIC LEG		4X
E	ACRYLIC LEG		4X
HW1	SOCKET HEAD SCREW (M6*9mm)		16X
HW2	RUBBER MAT (D9*2)		8X
HW3	ALLEN WRENCH (4#)		1X
HW4	SOCKET HEAD SCREW (M6*12mm)		4X

SAFAVIEH

COU T U R E

Model#SFV2548

Product Dimensions:36"WX36"Dx16"H



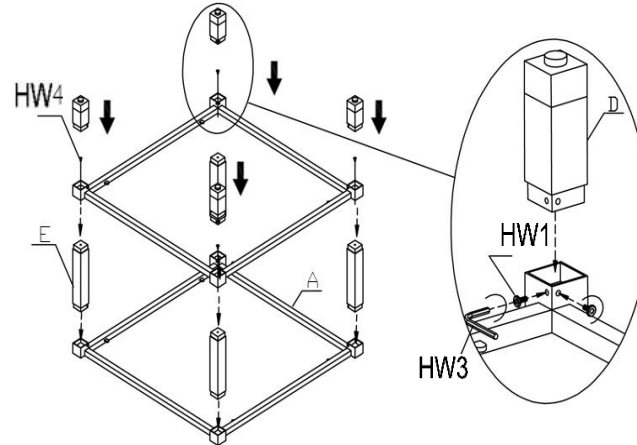
PREPARATION

Before beginning assembly of product, make sure all parts are present. Compare parts with package contents list and hardware contents list.

If any part is missing or damaged, do not attempt to assemble the product.

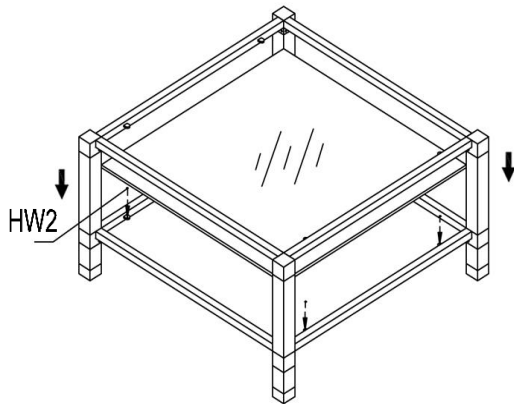
Estimated Assembly Time: 20 minutes.

Step 1



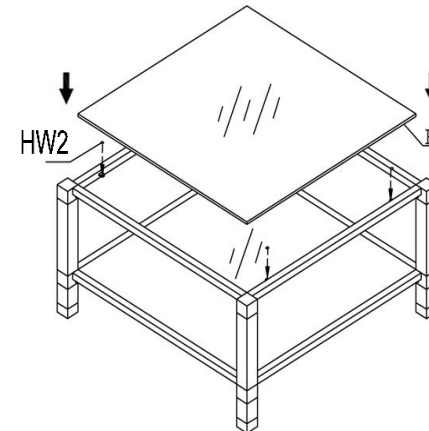
Use HW4 screws assemble the 4 long legs onto the frame. After that assemble short legs, use part "HW 3" to fix "HW1" screws as shown.

Step 2



Put the rubber onto the frame, cover the mirror onto the frame

Step 3



Put the rubber onto the frame, cover the glass onto the frame