

## CARE AND MAINTENANCE

Spot clean using a mild water-free solvent. Only a professional cleaner should undertake a complete overall cleaning.

The use of steam or water-based cleaners may cause excessive shrinking or staining.

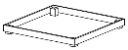



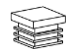



## NOTICE

\* Please make sure that you have all parts indicated before you begin assembly of this item

\* This item should be assembled on a soft surface to prevent scratching the finish during assembly

\* This item may require periodic tightening

## Part List and Hardware List

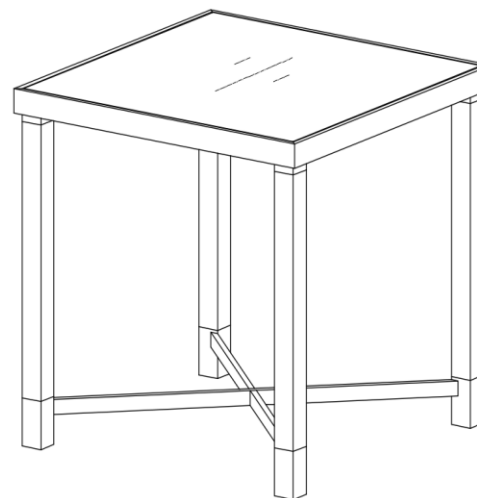
PIECE	DESCRIPTION	PICTURE	QUANTITY
A	FRAME		1X
B	FRAME		1X
C	ACRYLIC LEG		4X
D	GLASS		1X
HW1	PLASTIC PLUG E		4X
HW2	SOCKET HEAD SCREW		4X (M8*15mm)
HW3	ALLEN KEY		1X (5#)
HW4	RUBBER MAT x D3 x 12MM		4X

# SAFAVIEH

C O U T U R E

Model#SFV2534

Product Dimensions:23.6"W x 23.6" D x 23.6" H



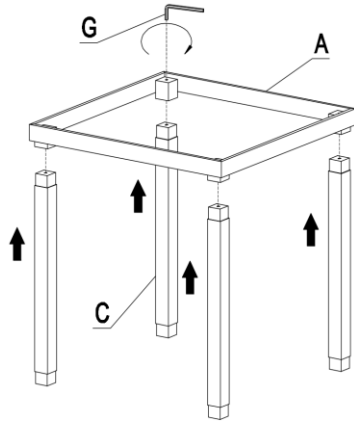
## PREPARATION

Before beginning assembly of product, make sure all parts are present. Compare parts with package contents list and hardware contents list.

If any part is missing or damaged, do not attempt to assemble the product.

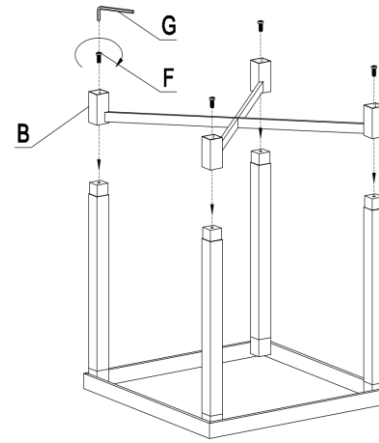
Estimated Assembly Time: 30 minutes.

Step 1



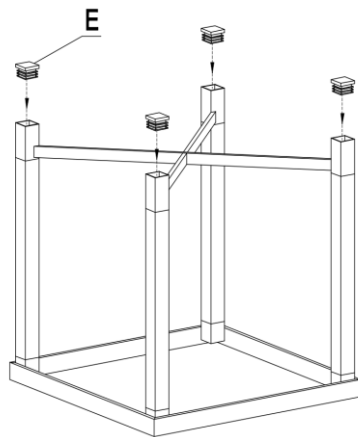
Use the allen key assemble 4 acrylic legs onto the part A frame

Step 2



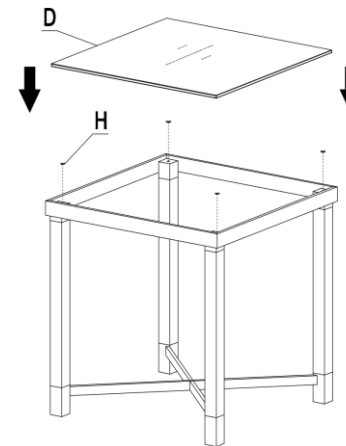
Up side down the legs, assemble the part B frame onto the legs

Step 3



Cover Part E plastic plug onto the Part B frame

Step 4



Up side down the frame, put the rubber mat onto the frame, put the glass into the frame