

CARE AND MAINTENANCE

Spot clean using a mild water-free solvent. Only a professional cleaner should undertake a complete overall cleaning.

The use of steam or water-based cleaners may cause excessive shrinking or staining.


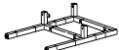


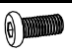



NOTICE

* Please make sure that you have all parts indicated before you begin assembly of this item

* This item should be assembled on a soft surface to prevent scratching the finish during assembly

* This item may require periodic tightening

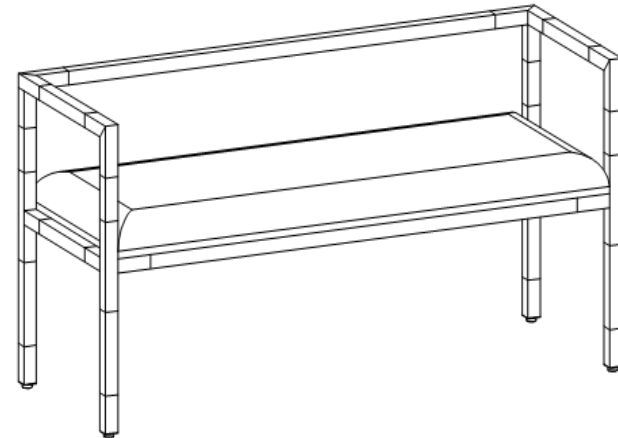
Part List and Hardware List

PIECE	DESCRIPTION	PICTURE	QUANTITY
A	FRAME		1X
B	FRAME		1X
C	PACKAGE		1X
D	ACRYLIC		3X
E	SOCKET HEAD SCREW		4X (M6*15mm)
F	FLAT MAT		4X(M6)
G	SOCKET HEAD SCREW		6X (M6*12mm)
H	ALLEN WRENCH		1X(4#)

SAFAVIEH C O U T U R E

Model#SFV2510

Product Dimensions:50" W x 18.11" D x26" H



Weight Capacity: 440 lbs

WARNING: DO NOT STAND ON BENCH

WARNING: DO NOT OVER TORQUE BOLTS/SCREWS

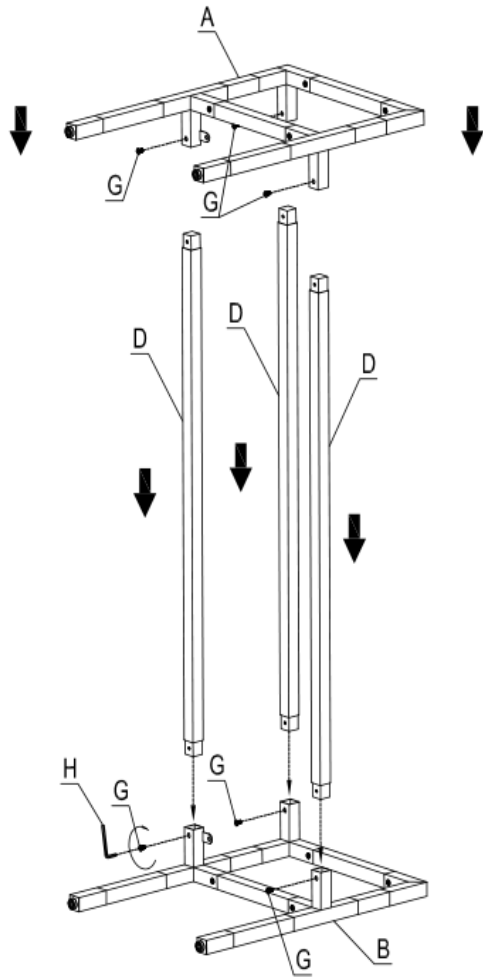
PREPARATION

Before beginning assembly of product, make sure all parts are present. Compare parts with package contents list and hardware contents list.

If any part is missing or damaged, do not attempt to assemble the product.

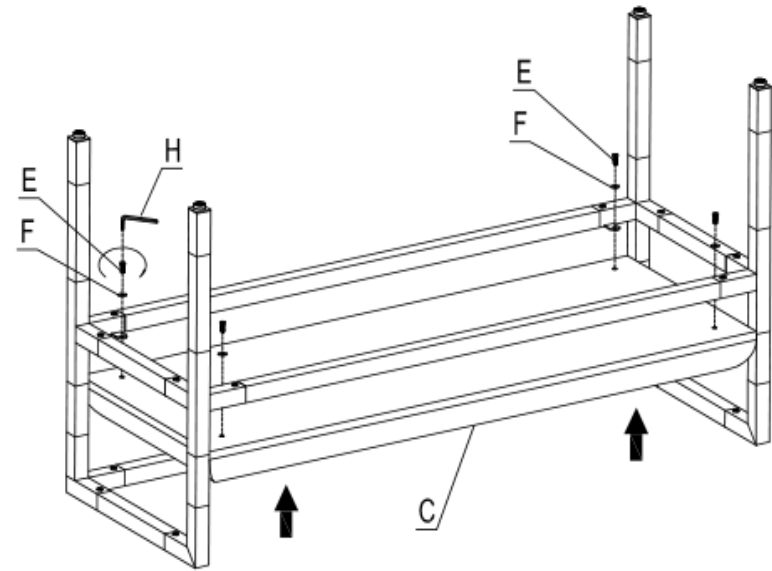
Estimated Assembly Time: 30 minutes.

Step 1



Assemble the acrylic bars Part D to the frames Part A & B as shown. Use Part H key to screw in Part G screws on just one side. Then screw in the other side.

Step 2



Turn bench upside down and screw in the cushion by using Part H to screw in Part E with Part F.