

## CARE AND MAINTENANCE

Spot clean using a mild water-free solvent. Only a professional cleaner should undertake a complete overall cleaning.  
The use of steam or water-based cleaners may cause excessive shrinking or staining.

## NOTICE

- \* Please make sure that you have all parts indicated before you begin assembly of this item
- \* This item should be assembled on a soft surface to prevent scratching the finish during assembly
- \* This item may require periodic tightening

## Part List and Hardware List

PIECE	DESCRIPTION	PICTURE	QUANTITY
A	CHAIR BACK		2X
B	FRONT LEG FRAME		2X
C	LEFT SIDE RAIL		2X
D	RIGHT SIDE RAIL		2X
E	LEFT STRETCHER		2X
F	RIGHT STRETCHER		2X
G	SUPPORT BAR		4X
H	CUSHION SEAT		2X
I1	ALLEN WRENCH		1X
I2	BOLT		8X
I3	LOCK WASHER		8X
I4	LONG PAN HEAD SCREW		8X
I5	SHORT PAN HEAD SCREW		8X
I6	L BRACKET		6X
I7	FLAT HEAD SCREW		12X

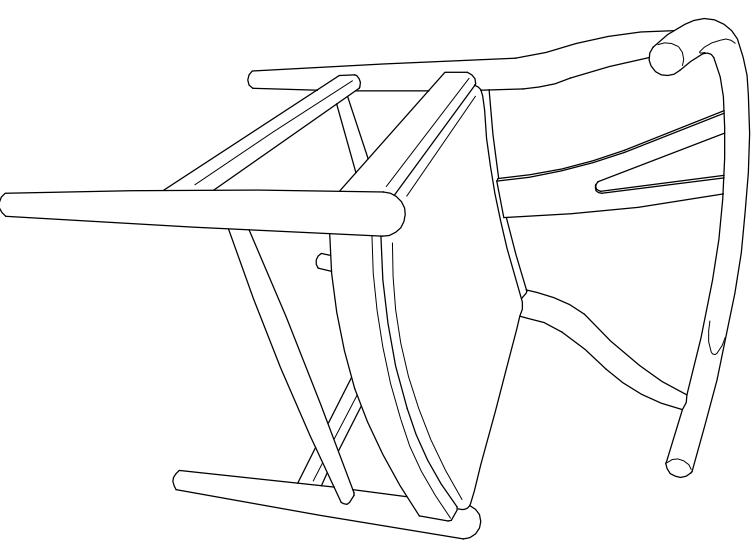
NOTE : QUANTITIES SHOWN ARE FOR TWO CHAIR

# SAFAVIEH

## FURNITURE

Model# SEA6000

Product Dimensions: 23.82"W X 21.06"D X 29.72"H



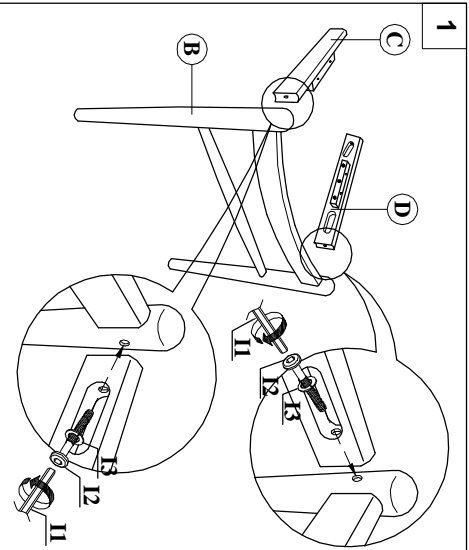
## PREPARATION

Before beginning assembly of product, make sure all parts are present. Compare parts with package contents list and hardware contents list.

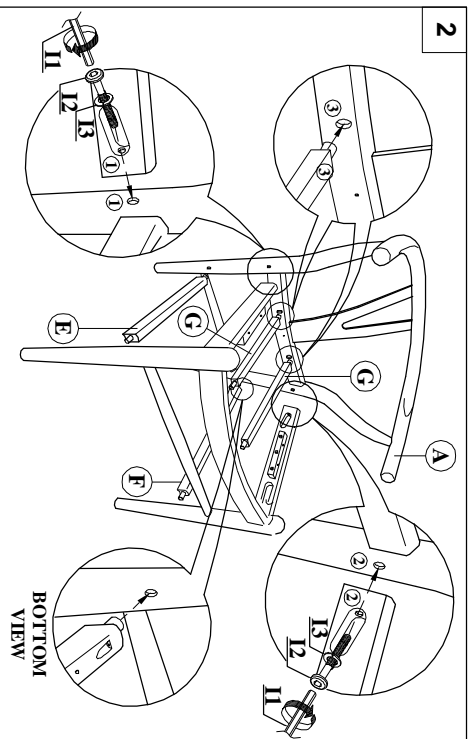
If any part is missing or damaged, do not attempt to assemble the product.

Estimated Assembly Time: 15 minutes.

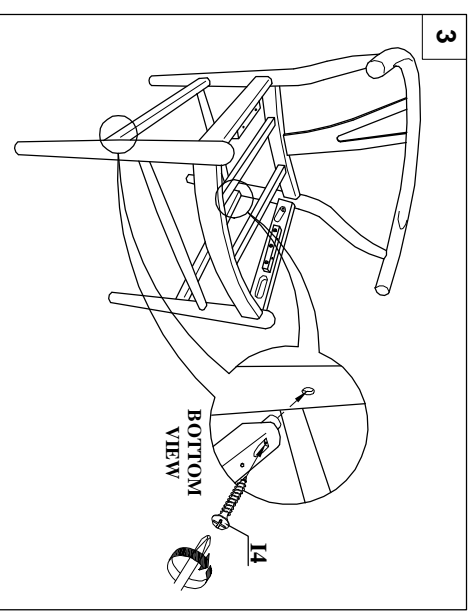
Tools Required for Assembly (included): Allen Key



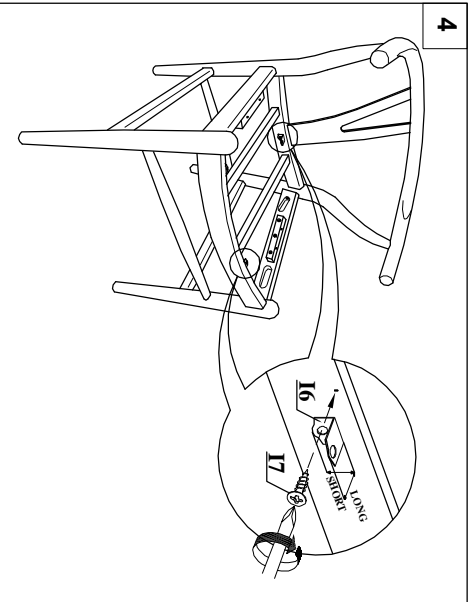
**Step 1**  
Attach left side rail (C) and right side rail (D) to front leg frame (B) using bolt (12) and lock washer (13) and tighten with Allen wrench (11).



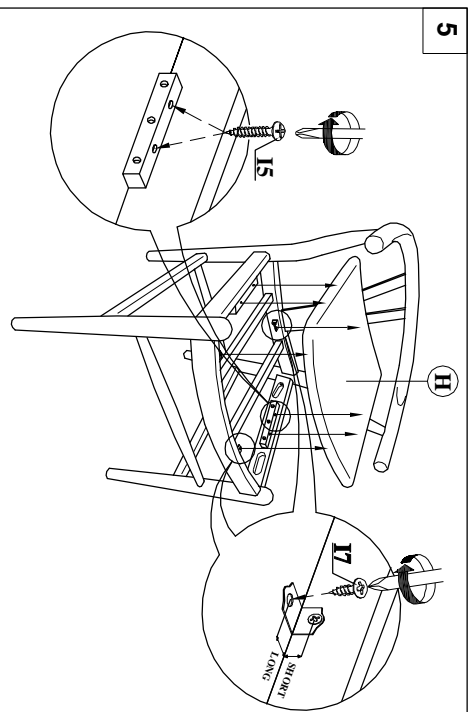
**Step 2**  
Attach left and right stretcher (E&F) and support bar (G) to front leg frame (B) and chair back leg (A). Attach side rail (C&D) to chair back leg (A) using bolt (12) and lock washer (13) and tighten with Allen wrench (11).



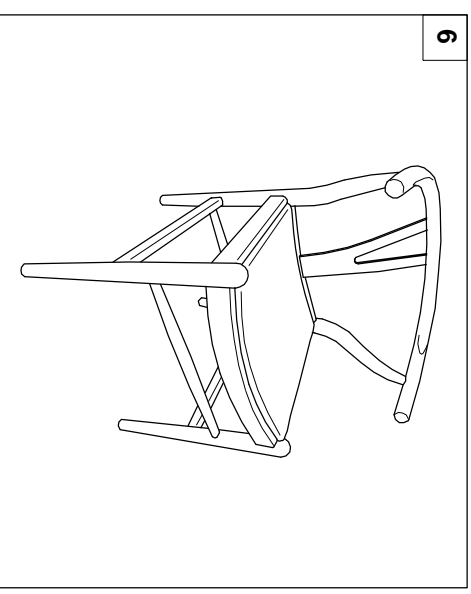
**Step 3**  
Fasten stretcher (E&F) to chair back leg (A) and front leg frame (B) by using long pan head screw (14). Tighten with screw driver (NOT INCLUDED).



**Step 4**  
Fasten L-Bracket (16) to chair back (A) and front leg frame (B) by using flat head screw (17) (as per diagram shown). Tighten with screw driver (NOT INCLUDED).



**Step 5**  
Attach cushion seat (H) to side rails (C&D) using short pan head screws (15) (as per diagram shown) and tighten with screw driver (NOT INCLUDED).  
Attach cushion seat (H) to chair back (A) and front leg frame (B) using flat pan head screws (17) (as per diagram shown) and tighten with screw driver (NOT INCLUDED)



**Step 6**  
Complete.