

**WARNING**

- \*\* WE RECOMMEND INSTALLATION OF THIS LIGHTING FIXTURE BE DONE BY A LICENSED ELECTRICIAN \*\*
- \* Switch off the main electrical supply from the main fuse box / circuit breaker before installation.
- \* Inspect item carefully before attempting to install.
- \* If there is any damages or obvious defects, do not install.
- \* Item may not be returned once it has been installed

**CARE AND MAINTENANCE**

- \* To clean the outside of the fixture, use a dry or slightly dampened clean cloth (use clean water, never a solvent) to wipe the surface of the fixture.
- \* To clean the inside of the fixture, first disconnect power to the fixture by turning off the circuit breaker or by removing the fuse at the fuse box. Next, use a dry or slightly dampened clean cloth (use clean water, never a solvent) to wipe the interior surface of the fixture.
- \* Do not use any cleaners with chemical, solvents or harsh abrasives. Use only a dry soft cloth to dust or wipe carefully.


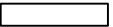










**NOTICE& IMPORTANT SAFETY INSTRUCTIONS**

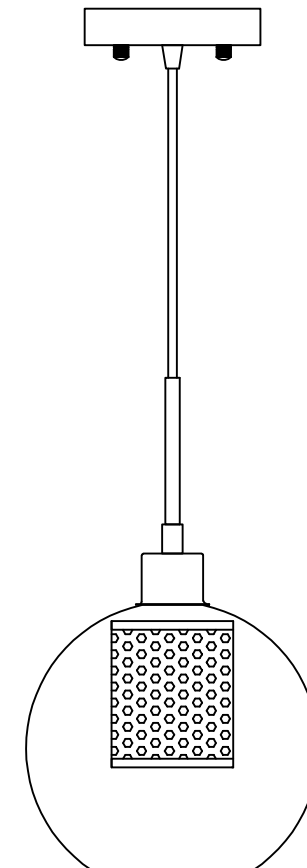
- \* Please make sure that you have all parts indicated before you begin assembly of this item
  - \* This item should be assembled on a soft surface to prevent scratching the finish during assembly
  - \* To reduce the risk of fire, electrical shock or injury to persons or property, please follow the guideline below for safe use and installation
  - \*The external flexible cable or cord of this luminaire cannot be replaced
- If the cord is damaged, the luminaire shall be destroyed



Model#:PND4146A  
Product Dimensions:7.75"D X 14.5-73.5"H

**Part List and Hardware List**

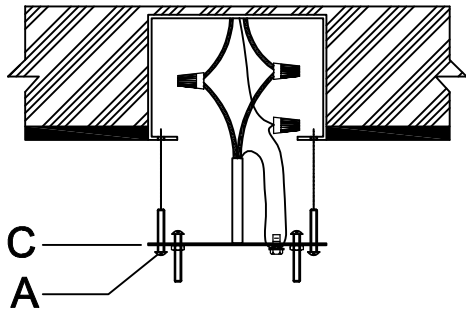
PIECE	DESCRIPTION	PICTURE	QUANTITY	PIECE	DESCRIPTION	PICTURE	QUANTITY
A	machine screw		2X	G	canopy		1X
B	mouhting screw		2X	H	light body		1X
C	mouhting bracket		1X	I	lamp shade		1X
D	ground screw		1X	J	glass		1X
E	wire nut		3X	K	bulb		1X
F	canopy nut		3X	L	Iron piece		1X



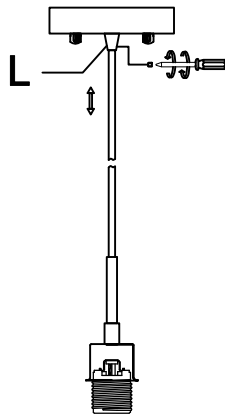
## PREPARATION

- \* Before beginning assembly of product, make sure all parts are present. Compare parts with package contents list and hardware contents list.
- \* If any part is missing or damaged, do not attempt to assemble the product.
- \* Estimated Assembly Time: 30 minutes.
- \* If you are having difficulty, our friendly Customer Care team is always here to help. Please email [customersupport@safavieh.com](mailto:customersupport@safavieh.com)

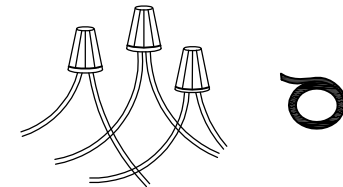
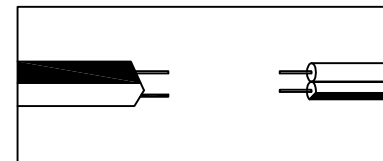
**NOTE: PLEASE USE ON/OFF TYPE "A" BULB MAX 40-WATT OR LED BULB MAX 13-WATT THERE IS LED 9-WATT BULB IN THE BOX**



**Step 1:**Unpack all parts from cartons carefully.  
Fix the Mounting plate (C) to the junction box with machine screw (A)



**Step 2:**After loosening the screw in the iron piece (L), you can adjust the wire up and down to a proper position, and then tighten the screw in the iron piece (L).



### Step 3:Wire connection

Connect fixture neutral wire (ribbed) to the outlet box neutral wire (usually white) using a wire connector.

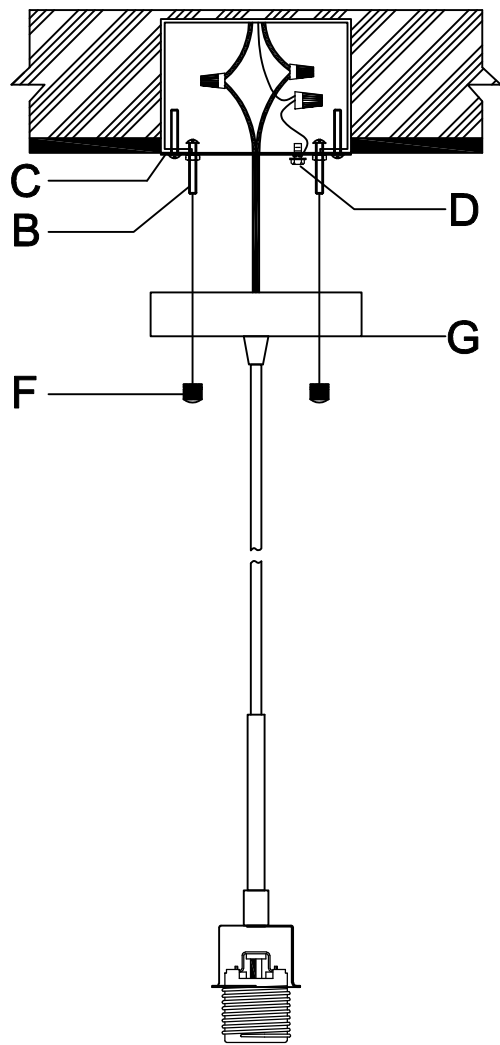
Connect fixture hot wire (smooth with markings) to the outlet box hot wire (usually black) using a wire connector.

**CAUTION:** Do not reverse the hot and neutral connections

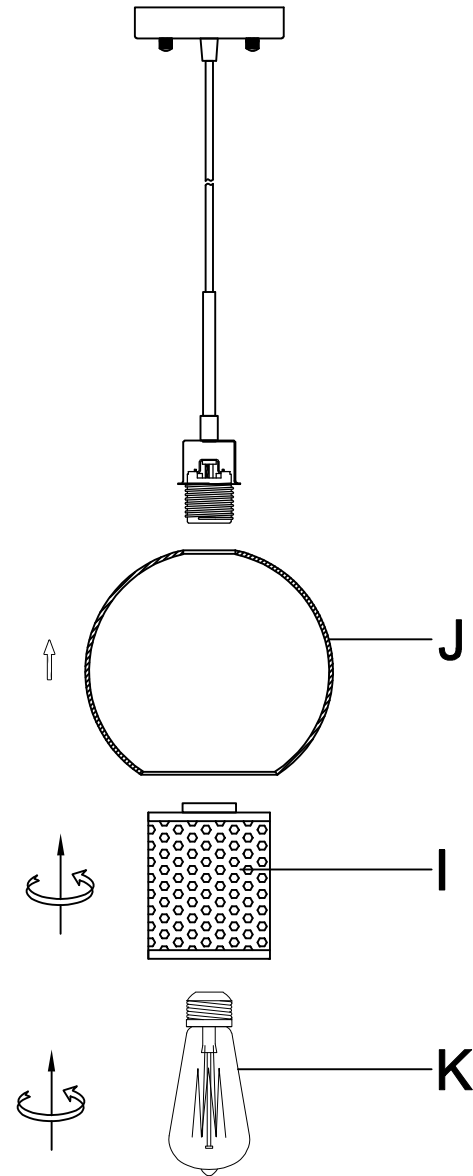
**Grounding Instructions:**

Wrap ground wire from outlet box around green ground screw on mounting bracket, no less than 2"

from wire end. Tighten ground screw. If fixture is supplied with a ground wire, connect to outlet ground wire with a wire connector.



**Step 4:** Attach the canopy (G) to the Mounting Plate (C), and fix it by turning the canopy nut (F) anti clockwise.



**Step 5:** Fix the glass (J) on the lamp holder with the lamp shade (I) .and then fix the bulb (K) into the lamp holder.