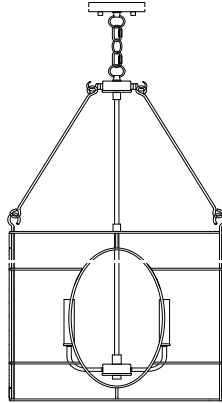


# SAFAVIEH LIGHTING

## Assembly Instruction

**CAUTION:** Read instruction carefully and turn electricity off at main circuit breaker panel before beginning installation.

**ITEM#:PND4004A**



### Care and Cleaning

To clean the outside of the fixture, use a dry or slightly dampened clean cloth (use clean water, never a solvent) to wipe the surface of the fixture.

To clear the inside of the fixture, first disconnect power to the fixture by turning off the circuit breaker or by removing the fuse at the fuse box. Next, use a dry or slightly dampened clean cloth (use clean water, never a solvent) to wipe the interior surface of the fixture.

Do not use any cleaners with chemical, solvents or harsh abrasives. Use Only a dry soft cloth to dust or wipe carefully.

Estimated Assembly Time: 30 minutes

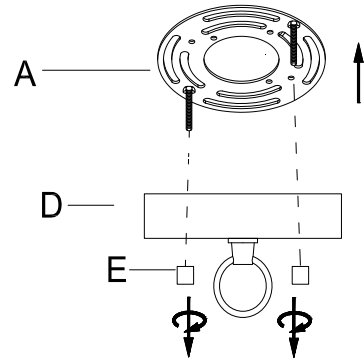
### Part List and Hardware List

PIECE	DESCRIPTION	PICTURE	QUANTITY	PIECE	DESCRIPTION	PICTURE	QUANTITY	PIECE	DESCRIPTION	PICTURE	QUANTITY
A	Mounting Plate		1X	F	Closable link/cap		2X	K	Socket Assembly		1X
B	Wire Nut		3X	G	Chain		1X	L	Socket Sleeve		4X
C	Mounting Screw		2X	H	Loop Connector		1X	M	Hook		4X
D	Canopy		1X	I	Top Tube		1X	N	Body Frame		1X
E	Canopy Nut		2X	J	Bulb		1X 4X				4X

# Installation

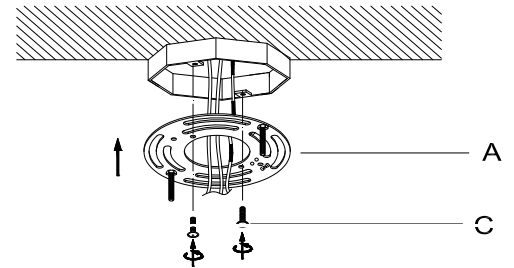
## Step 1

Unpack all parts from cartons carefully.  
Separate the Mounting Plate(A) from the Canopy(D) by removing the Canopy Nut(E) anti-clockwise.



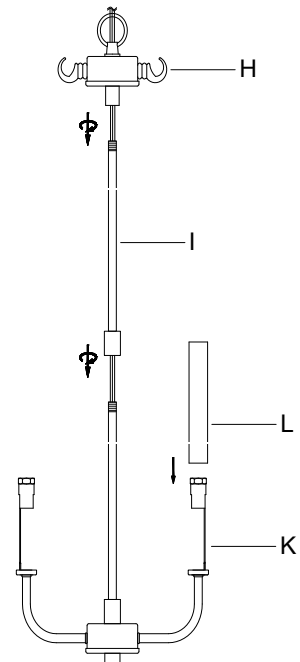
## Step 2

Attach the Mounting Plate (A) onto the J-box and secure it by turning the 2 Mounting Screws (C) clockwise until tight.



## Step 3

Insert the fixture wires through the Top Tube(I) and Loop Connector(H) as diagram. Rotate each part clockwise till tight.

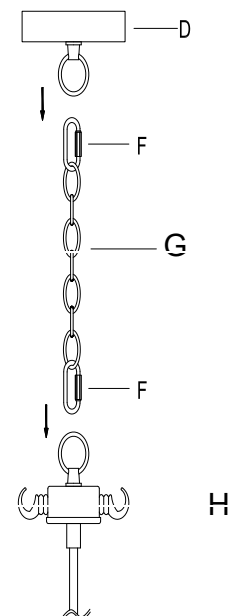


Place the Socket Sleeve(L) over the socket of the Socket Assembly(K).

## Step 4

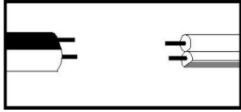
Screw the Chain(G) to the Loop Connector (H) and the bottom Loop of the Canopy (D) with Closable link/cap (F) as diagram.

Weave the 2 wire power cord and bare ground wire through every other loop to the top of chain(G), center holes of Canopy(D) as diagram.



## Step 5 Wire connection

Connect,Hot,Black or Red outlet Supply Wire to:	Connect,Neutral,White Outlet Supply Wire to:
Black	White
*Parallel Cord(round&smooth)	*Parallel Cord(square&ridged)
Clear,Brown,Gold or Black without Tracer(colored stripes)	Clear,Brwn,Gold or Black without Tracer(colored stripes)
Insulated Wire(not green)with copper metal conductor	Insulated Wire(not green)with Silver metal conductor



\*Note: When parallel wire(SPTI&SPTII)is used. The neutral wire is square shaped and ridged and the hot wire will be round in shape and smooth.(See illustration on left)

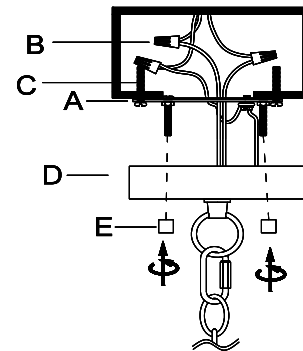


### Grounding Instructions:

- For installation in the United States: Wrap ground wire from outlet box around green ground screw on mounting bracket, no less than 2" from wire end. Tighten ground screw. If fixture is supplied with a ground wire, connect to outlet ground wire with a wire connector.
- For installation in Canada: If fixture is supplied with ground wire, wrap ground wire around green grounding screw on mounting bracket. Tighten ground screw.

## Step 6

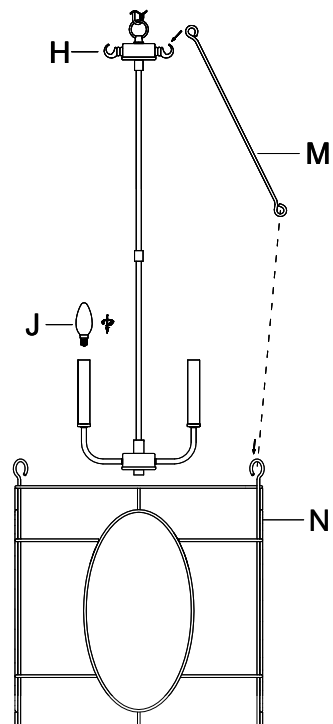
Attach the Canopy(D) to the Mounting Plate (A) and fix it by turning the Canopy Nut (E) clockwise.



Connect the Body frame(N) to the Loop Connector(H) with Hook(M) as diagram.

Insert the bulb (J) into the socket until secure.  
**DO NOT EXCEED THE SPECIFIED WATTAGE.**

**PLEASE USE TYPE "B" BULB MAX 40-WATT OR CFL BULB MAX 13-WATT OR LED MAX 9-WATT THERE ARE 4\*4W LED BULBS IN THE BOX.**



## Step 7

Consult a qualified electrician to ensure correct branch circuit conductor

ENJOY YOUR LAMP