



# SAFAVIEH

## O U T D O O R

Item No: PIT2007

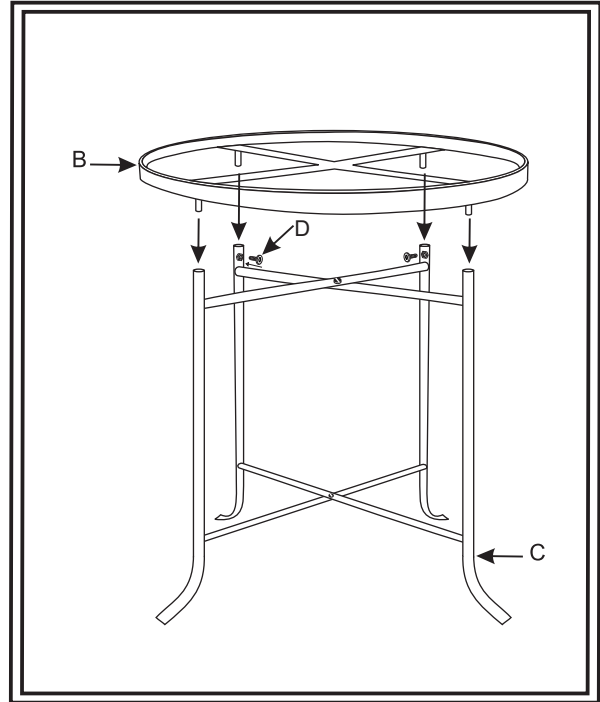
Product Dimensions: 17.5" X 21.5" X 30.0"

### PARTS LIST

- A. Bev. Tub..... 1 PC
- B. Top ring .....1 PC
- C. Stand .....1 PC
- D. Bolt (attached on stand).....4 PCS

### Assembly Instructions:

1. Take the stand (C) and expand both the parts of the stand (C) in opposite and adjust on 90° angle.
2. Loose all the bolts and place top ring (B) on the stand, guiding them into the posts and tighten all the bolts by using the allen key.
3. Place beverage tub (A) on the top ring (B).



### Operation, Safety & Care Instructions:

1. Wipe the tub, tray and stand with a soft cloth and mild soap and water after each use. Dry immediately with soft cloth.
2. When using as a plant stand make sure the plant is planted in a pot prior to inserting into the tub, as there are no drainage holes.
3. Do not use this tub for fires, as this is not designed to handle the heat.
4. Always use this stand on a hard, level surface.
5. Do not leave unattended, especially around children, when the tub is full of ice or water.
6. Do not drink directly from tub.

