



SAFAVIEH

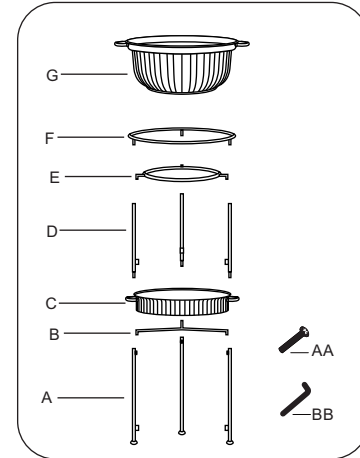
OUTDOOR

Item No: PIT2006

Product Dimensions: 17.5" X 21.5" X 30.0"

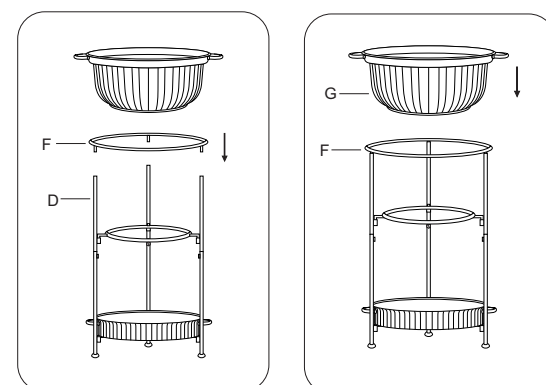
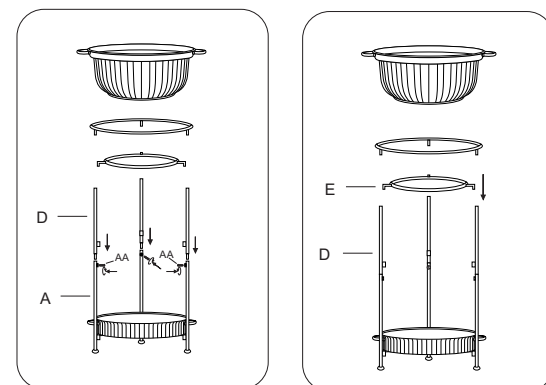
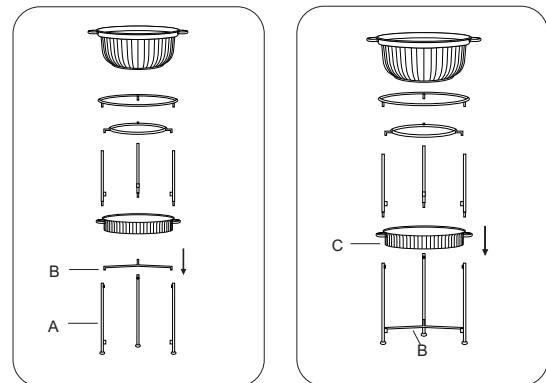
Parts List

- A. Bottom legs.....3 PCS
- B. Bottom leg connector.....1 PCS
- C. Tray.....1 PC
- D. Upper Legs.....3 PCS
- E. Upper leg connector.....1 PC
- F. Top Ring.....1 PC
- G. Bev. Tub.....1 PC
- AA. Bolts.....3 PCS
- BB. Allen Key.....1 PC



Assembly Instructions:

1. Take the bottom legs (A) and connect it with bottom leg connector (B).
2. Place the tray (C) on the bottom leg connector (B).
3. Insert upper legs (D) in the bottom legs (A) and align the bolt holes on the bottom legs (A) with the holes on the upper legs (D).
4. Insert bolts (AA) and securely tighten all the bolts by using the allen key (BB).
5. Connect upper leg connector (E) with upper legs (D).
6. Insert top ring (F) in the upper legs (D).
7. Place beverage tub (G) on the top ring (F).



Operation, Safety & Care Instructions:

1. Wipe the tub, tray and stand with a soft cloth and mild soap and water after each use. Dry immediately with soft cloth.
2. When using as a plant stand make sure the plant is planted in a pot prior to inserting into the tub, as there are no drainage holes.
3. Do not use this tub for fires, as this is not designed to handle the heat
4. Always use this stand on a hard, level surface.
5. Do not leave unattended, especially around children, when the tub is full of ice or water.
6. Do not drink directly from tub.