

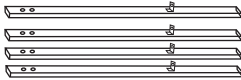






# ASSEMBLY INSTRUCTION

## FIREPIT



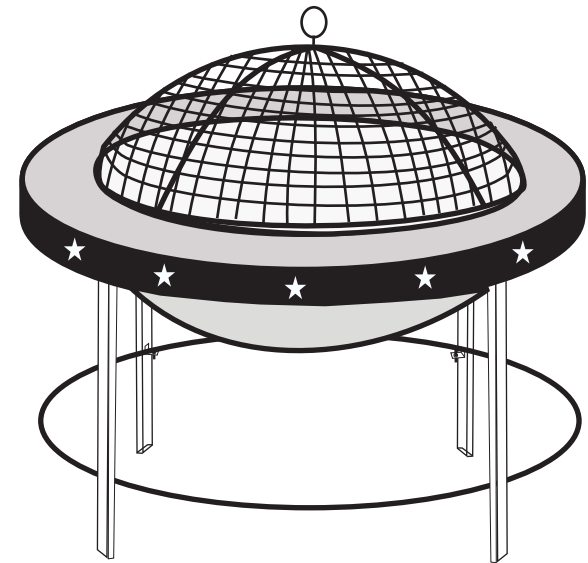
### NOTICE

- \* Please make sure that you have all parts indicated before you begin assembly of this item
- \* This item should be assembled on a soft surface to prevent scratching the finish during assembly

PIECE	DESCRIPTION	PICTURE	QUANTITY
B	LEGS		4X
LR	LOWER RING		1X
N	NUT		12X
W	WASHER		12X
TR	TOP RING		1X
B	BOWL		1X
N	NET		1X

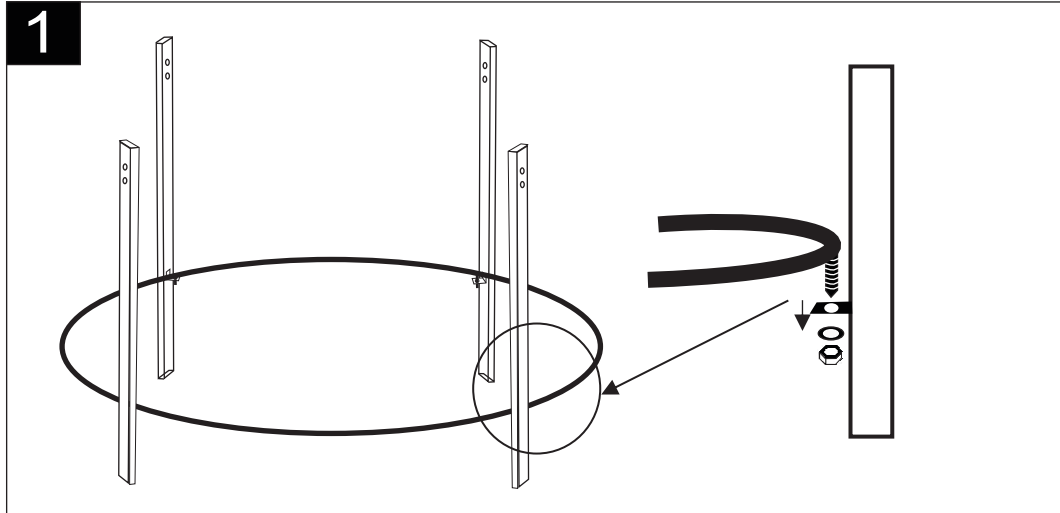
Model#PIT1011A

Product Dimensions: 32"L x 32" W x 25" H

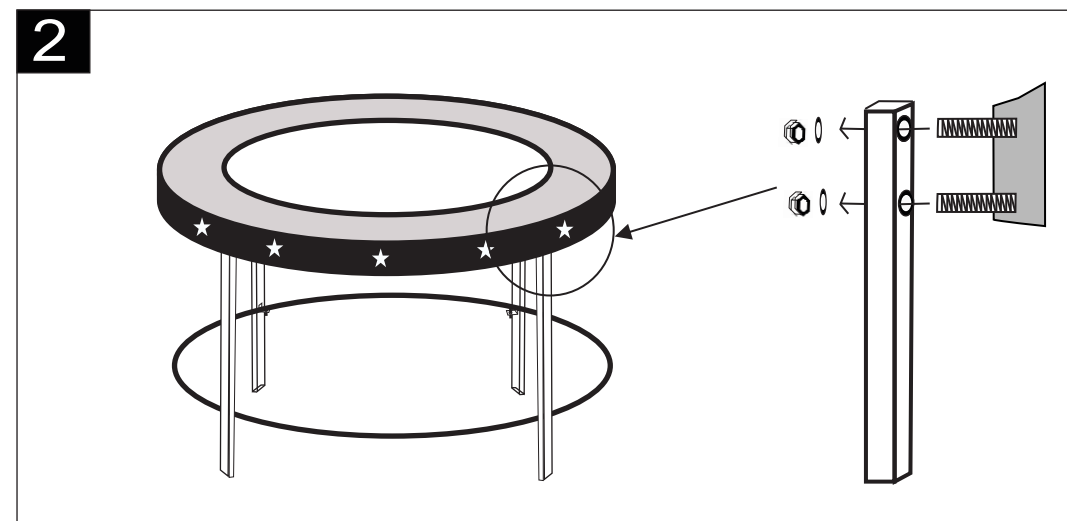


## PREPARATION

Before beginning assembly of product, make sure all parts are present. Compare parts with package contents list and hardware contents list. If any part is missing or damaged, do not attempt to assemble the product.



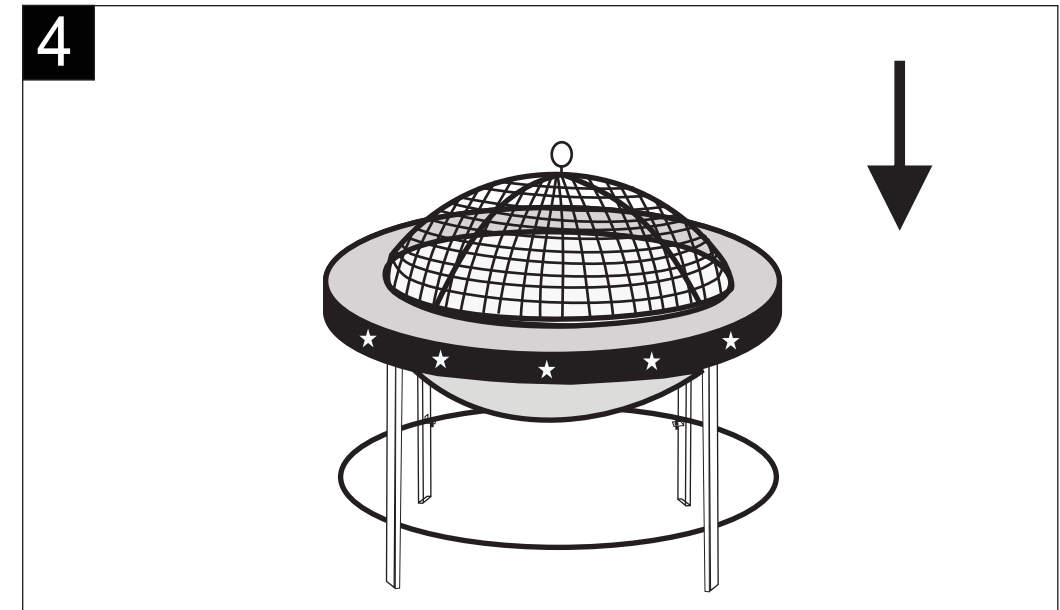
**Step 1 :** Stand up the four legs (L) on a plane surface, fix the ring (LR) and screw them all four side



**Step 2:** fix the top ring (TR) on the top of the legs and screw them all four side .



**Step 3:** Place the bowl (B) on the top of the top ring .



**Step 4:** Place the net(N) on the top of the bowl.

## FIRE PIT CARE & SAFETY

### INSPECTING:

This outdoor fire pit should be inspected on a regular basis to ensure product safety and longer product life. Do NOT attempt to inspect this outdoor fire pit until the fire is COMPLETELY out.

1. Check handles to make sure they are secure.
2. Check components for any signs of damage or rust.
3. If damage to any component is detected, do NOT operate until repairs are executed.

### CLEANING:

This outdoor fire pit should be cleaned on a regular basis to promote safer experiences and longer product life. Note: After repeated use, a slight discoloration of the finish may occur. Do NOT attempt to clean this outdoor fire pit until the fire is COMPLETELY out. Do NOT use oven cleaner or abrasive cleaners as

they will damage this product. Do NOT clean any part of this outdoor fire pit in a self-cleaning oven as it may damage the finish.

1. Wipe exterior surfaces with a mild dishwashing detergent or baking soda.
2. For stubborn surfaces use a citrus based degreaser and a nylon scrubbing brush.
3. Rinse clean with water.
4. Remove built-up creosote from components with a chimney cleaning product.

### STORAGE:

Do NOT move or store this outdoor fire pit until the fire is COMPLETELY out.

1. Once the fire is out, coals are cold and outdoor fire pit is cool to the touch, remove ashes and properly dispose.
2. Cover outdoor fireplace with a durable vinyl cover designed to fit this unit.
3. Store assembled in a location away from children and pets.

Note: If you do not use a cover, store this outdoor fire pit in a dry location to maximize product life.