

CARE AND MAINTENANCE

Store outdoor furniture indoors or cover well when not in use.

Remove wicker furniture from standing water. Dust regularly with small brush or vacuum

Spills should be taken care of immediately before they harden or stain with a slightly dampened sponge.

NOTICE

* Please make sure that you have all parts indicated before you begin assembly of this item

* This item should be assembled on a soft surface to prevent scratching the finish during assembly

* This item may require periodic tightening



SAFAVIEH

O U T D O O R











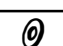

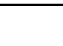
**Weight Capacity : 275 lbs (single seat)
550 lbs (towperson seat)**

Warning : Do not stand on bench

Warning : Do not over torque bolts/screws



Part List and Hardware List

PIECE	DESCRIPTION	PICTURE	QUANTITY
E	Upper section of bench		1X
F	Lower section of bench		1X
G	Bench Seat Frame		1X
H	Bench front frame		1X
K	Top table frame		1X
Q	Table legs		4X
W	Chair/Bench back cushion		2X
L	Bench Cushion		2X
HW1	Allen bolt(M6x35 mm)		22X
HW2	Allen bolt(M6x30 mm)		7X
HW3	Allen bolt(M6x20 mm)		16X
HW4	Flat washer		45X
HW5	Allen key		2X

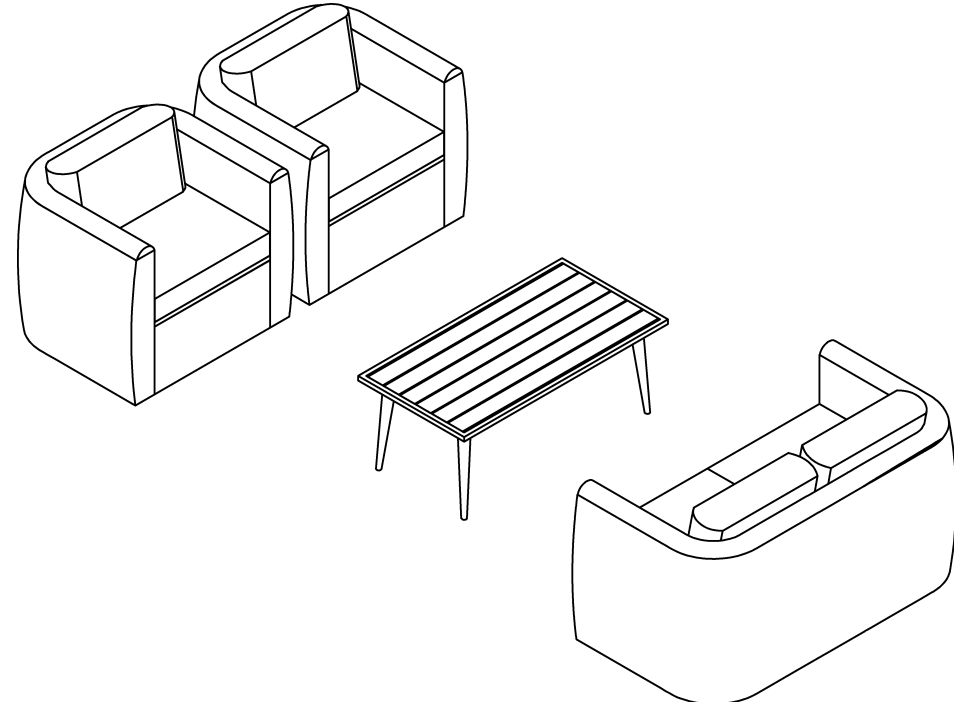
Model# PAT7524 - 3/3

Product Dimensions:

32.3"x27.5"x26.3"H (Chair)

56.3"x27.5"x26.3"H (Bench)

35.4"x19.6"x17"H (Table)



CARE AND MAINTENANCE

Store outdoor furniture indoors or cover well when not in use.
Remove wicker furniture from standing water. Dust regularly with small brush or vacuum
Spills should be taken care of immediately before they harden or stain with a slightly dampened sponge.

NOTICE

- * Please make sure that you have all parts indicated before you begin assembly of this item
- * This item should be assembled on a soft surface to prevent scratching the finish during assembly
- * This item may require periodic tightening



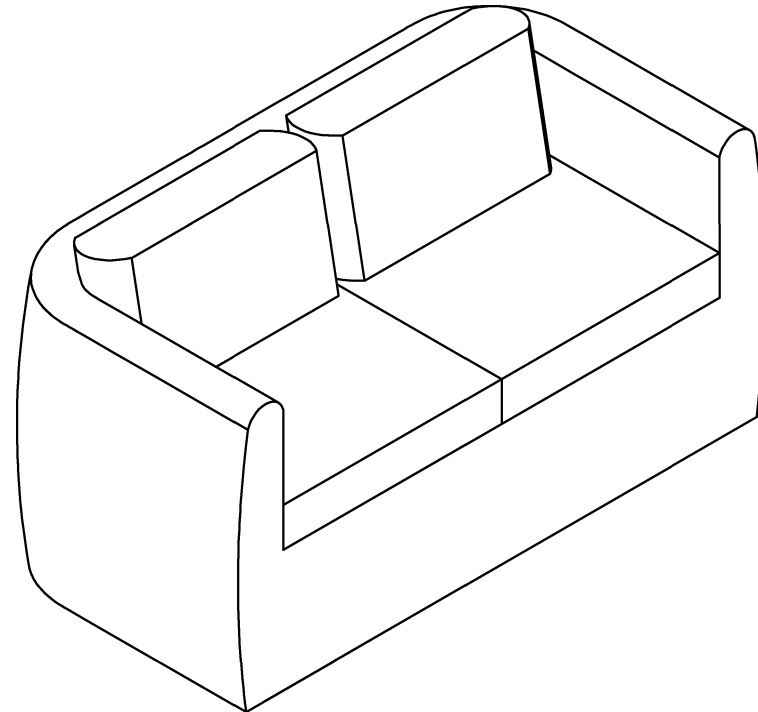
**Weight Capacity : 275 Lps (single seat)
550 Lps (towperson seat)**

**Warning : Do not stand on bench
Warning : Do not over torque bolts/screws**



Part List and Hardware List

PIECE	DESCRIPTION	PICTURE	QUANTITY
E	Upper section of bench		1X
F	Lower section of bench		1X
G	Bench Seat Frame		1X
H	Bench front frame		1X
W	Chair/Bench back cushion		2X
L	Bench Cushion		2X
HW1	Allen bolt(M6x35 mm)		22X
HW2	Allen bolt(M6x30 mm)		7X
HW4	Flat washer		29X
HW5	Allen key		1X



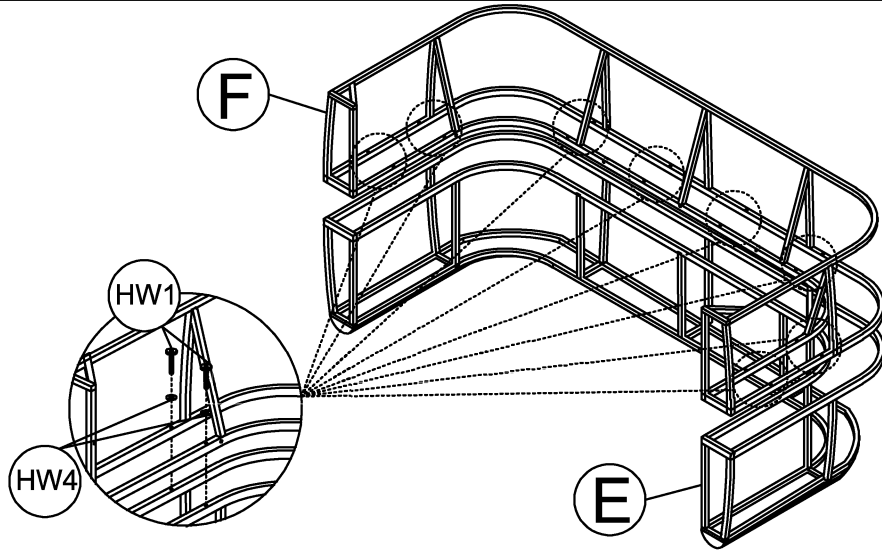
PREPARATION

Before beginning assembly of product, make sure all parts are present. Compare parts with package contents list and hardware contents list. If any part is missing or damaged, do not attempt to assemble the product.

Estimated Assembly Time: 15 minutes.

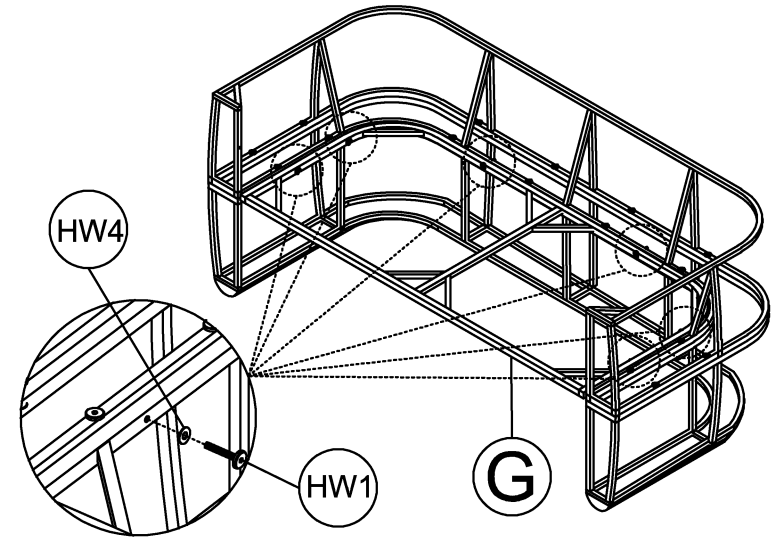
Tools Required for Assembly (included): Allen Key

1



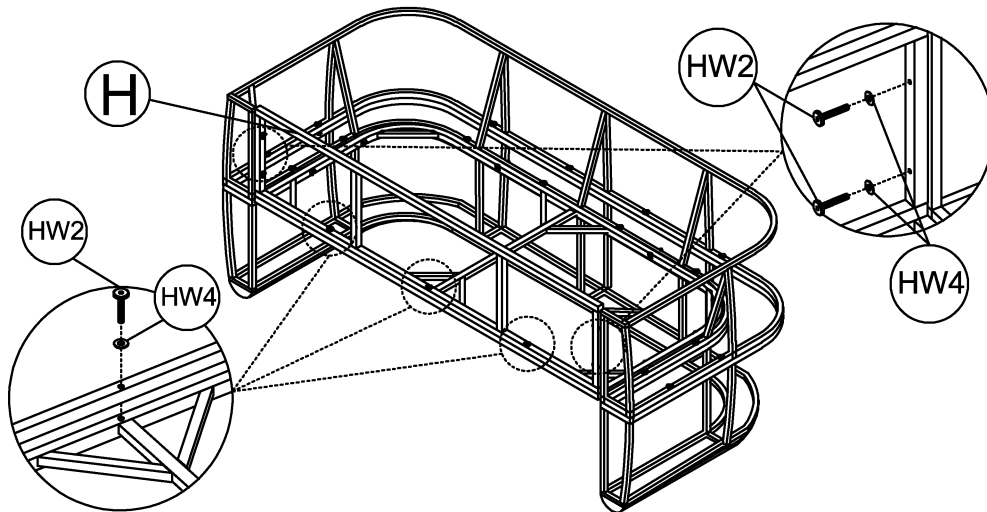
Step 1
Using bolt (HW1) and insert (HW4) to fix upper section (E) and lower section of bench (F)

2



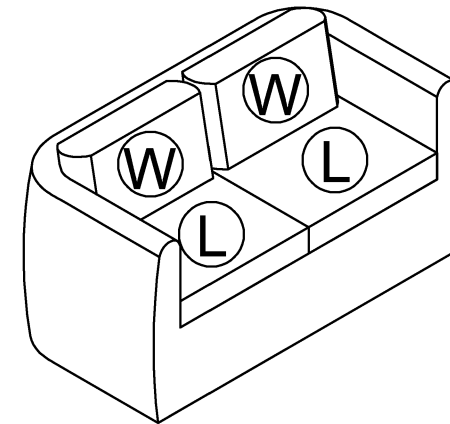
Step 2
Using bolt (HW1) and insert (HW4) to fix bench seat frame (G)

3



Step 3
Using bolt (HW2), (HW1) and insert (HW4) to fix bench front frame (H)

4



Step 4
Putting cushion for seat (W) and (L) on bench

CARE AND MAINTENANCE

Store outdoor furniture indoors or cover well when not in use.

Remove wicker furniture from standing water. Dust regularly with small brush or vacuum

Spills should be taken care of immediately before they harden or stain with a slightly dampened sponge.

NOTICE

* Please make sure that you have all parts indicated before you begin assembly of this item

* This item should be assembled on a soft surface to prevent scratching the finish during assembly

* This item may require periodic tightening



SAFAVIEH

O U T D O O R




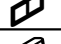



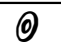


**Weight Capacity : 275 lbs (single seat)
550 lbs (towperson seat)**

Warning : Do not stand on chair

Warning : Do not over torque bolts/screws



Part List and Hardware List

PIECE	DESCRIPTION	PICTURE	QUANTITY
A	Upper section of single chair		1X
B	Lower section of single chair		1X
C	Chair Seat Frame		1X
D	Chair front frame		1X
W	Chair/Bench back cushion		1X
J	Chair Cushion		1X
HW1	Allen bolt(M6x35 mm)		17X
HW2	Allen bolt(M6x30 mm)		6X
HW4	Flat washer		23X
HW5	Allen key		1X

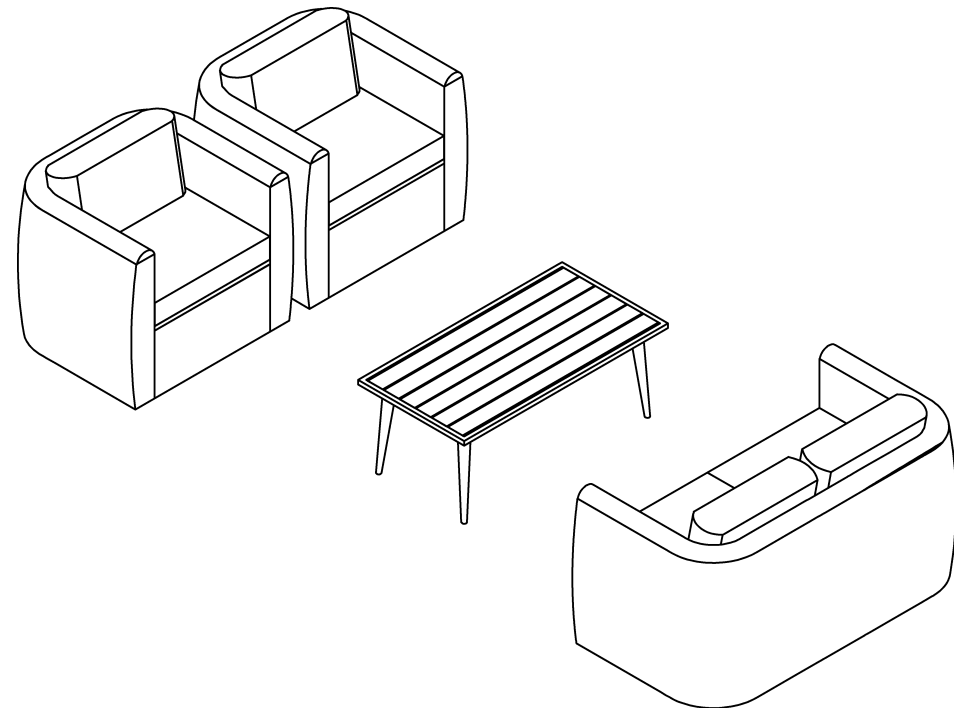
Model# PAT7524 - 1/3

Product Dimensions:

32.3"x27.5"x26.3"H (Chair)

56.3"x27.5"x26.3"H (Bench)

35.4"x19.6"x17"H (Table)



CARE AND MAINTENANCE

Store outdoor furniture indoors or cover well when not in use.
Remove wicker furniture from standing water. Dust regularly with small brush or vacuum
Spills should be taken care of immediately before they harden or stain with a slightly dampened sponge.

NOTICE

- * Please make sure that you have all parts indicated before you begin assembly of this item
- * This item should be assembled on a soft surface to prevent scratching the finish during assembly
- * This item may require periodic tightening



**Weight Capacity : 275 Lps (single seat)
550 Lps (towperson seat)**

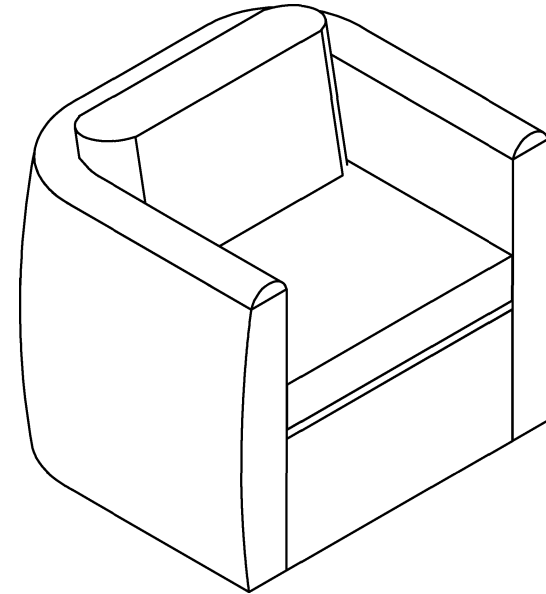
Warning : Do not stand on chair

Warning : Do not over torque bolts/screws



Part List and Hardware List

PIECE	DESCRIPTION	PICTURE	QUANTITY
A	Upper section of single chair		1X
B	Lower section of single chair		1X
C	Chair Seat Frame		1X
D	Chair front frame		1X
W	Chair/Bench back cushion		1X
J	Chair Seat Cushion		1X
HW1	Allen bolt(M6x35 mm)		17X
HW2	Allen bolt(M6x30 mm)		6X
HW4	Flat washer		23X
HW5	Allen key		1X



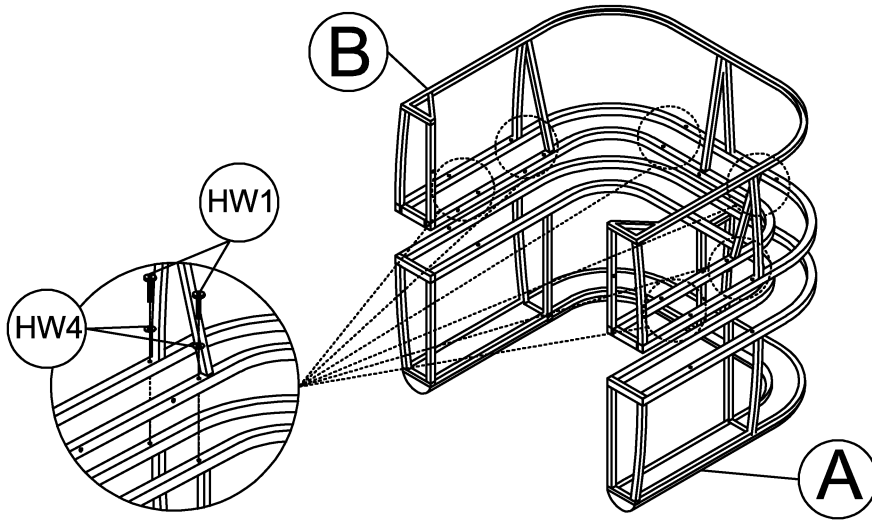
PREPARATION

Before beginning assembly of product, make sure all parts are present. Compare parts with package contents list and hardware contents list. If any part is missing or damaged, do not attempt to assemble the product.

Estimated Assembly Time: 15 minutes.

Tools Required for Assembly (included): Allen Key

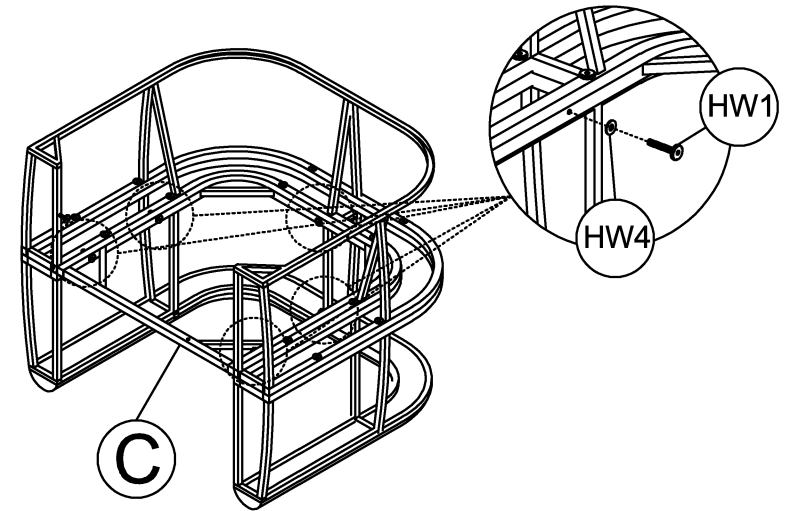
1



Step 1

Using bolt (HW1) and insert (HW4) to fix upper section of single chair (A) and lower section of single chair (B)

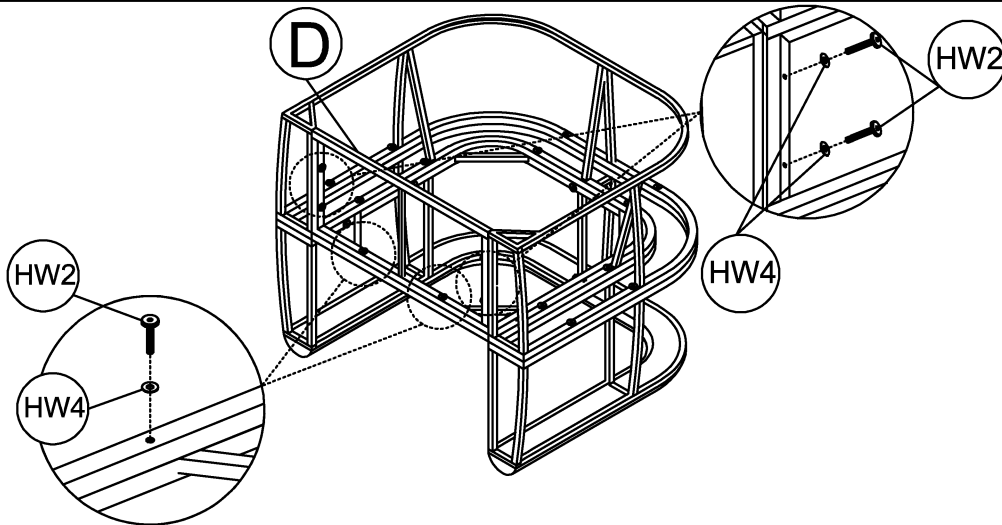
2



Step 2

Using bolt (HW1) and insert (HW4) to chair seat frame (C)

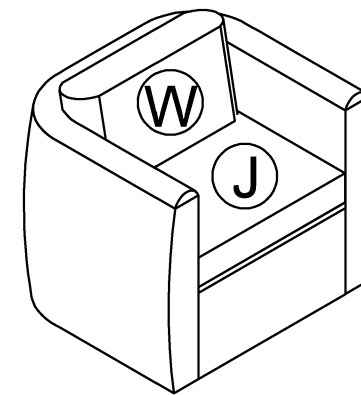
3



Step 3

Using bolt (HW2), (HW1) and insert (HW4) to chair front frame (D)

4



Step 4

Putting Chair/ Bench back Cushion (W) and chair seat Cushion (J)

CARE AND MAINTENANCE

Store outdoor furniture indoors or cover well when not in use.

Remove wicker furniture from standing water. Dust regularly with small brush or vacuum

Spills should be taken care of immediately before they harden or stain with a slightly dampened sponge.

NOTICE

* Please make sure that you have all parts indicated before you begin assembly of this item

* This item should be assembled on a soft surface to prevent scratching the finish during assembly

* This item may require periodic tightening



SAFAVIEH

O U T D O O R









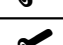

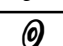

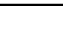
**Weight Capacity : 275 lbs (single seat)
550 lbs (towperson seat)**

Warning : Do not stand on table

Warning : Do not over torque bolts/screws



Part List and Hardware List

PIECE	DESCRIPTION	PICTURE	QUANTITY
E	Upper section of bench		1X
F	Lower section of bench		1X
G	Bench Seat Frame		1X
H	Bench front frame		1X
K	Table frame		1X
Q	Table legs		4X
W	Chair/Bench back cushion		2X
L	Bench Cushion		2X
HW1	Allen bolt(M6x35 mm)		22X
HW2	Allen bolt(M6x30 mm)		7X
HW3	Allen bolt(M6x20 mm)		16X
HW4	Flat washer		45X
HW5	Allen key		2X

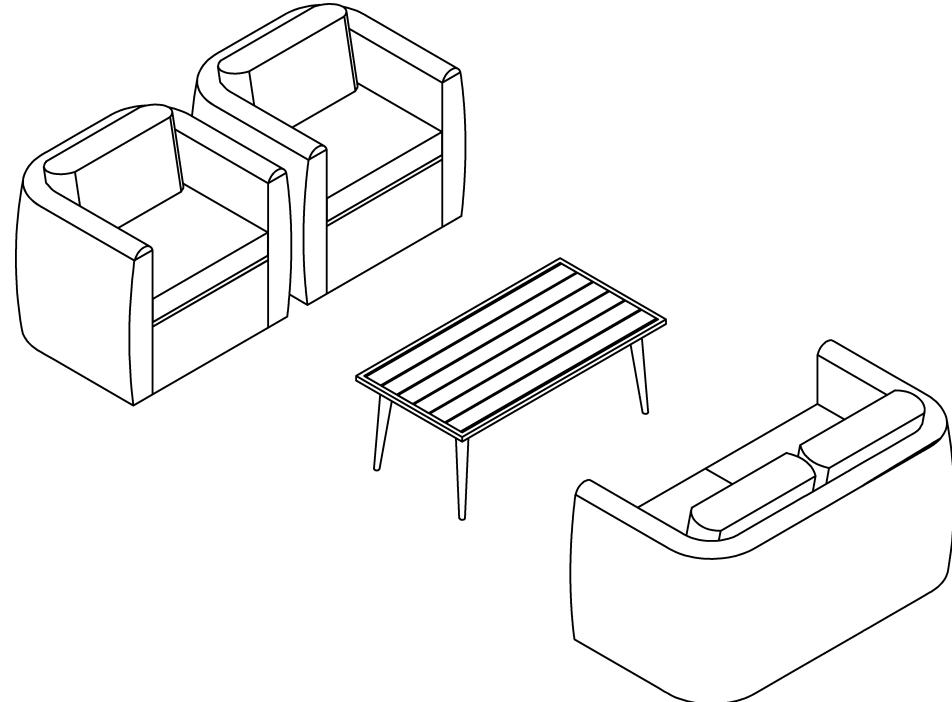
Model# PAT7524 - 3/3

Product Dimensions:

32.3"x27.5"x26.3"H (Chair)

56.3"x27.5"x26.3"H (Bench)

35.4"x19.6"x17"H (Table)



CARE AND MAINTENANCE

Store outdoor furniture indoors or cover well when not in use.






Remove wicker furniture from standing water. Dust regularly with small brush or vacuum

Spills should be taken care of immediately before they harden or stain with a slightly dampened sponge.

NOTICE

- * Please make sure that you have all parts indicated before you begin assembly of this item
- * This item should be assembled on a soft surface to prevent scratching the finish during assembly
- * This item may require periodic tightening

Part List and Hardware List

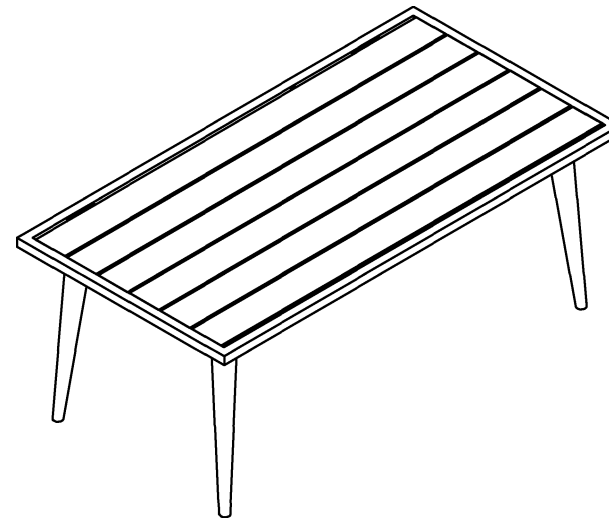
PIECE	DESCRIPTION	PICTURE	QUANTITY
K	Table frame		1X
Q	Table legs		4X
HW3	Allen bolt(M6x20 mm)		16X
HW4	Flat washer		16X
HW5	Allen key		1X

 **SAFAVIEH**
O U T D O O R

**Weight Capacity : 275 Lps (single seat)
550 Lps (towperson seat)**

Warning : Do not stand on table

Warning : Do not over torque bolts/screws



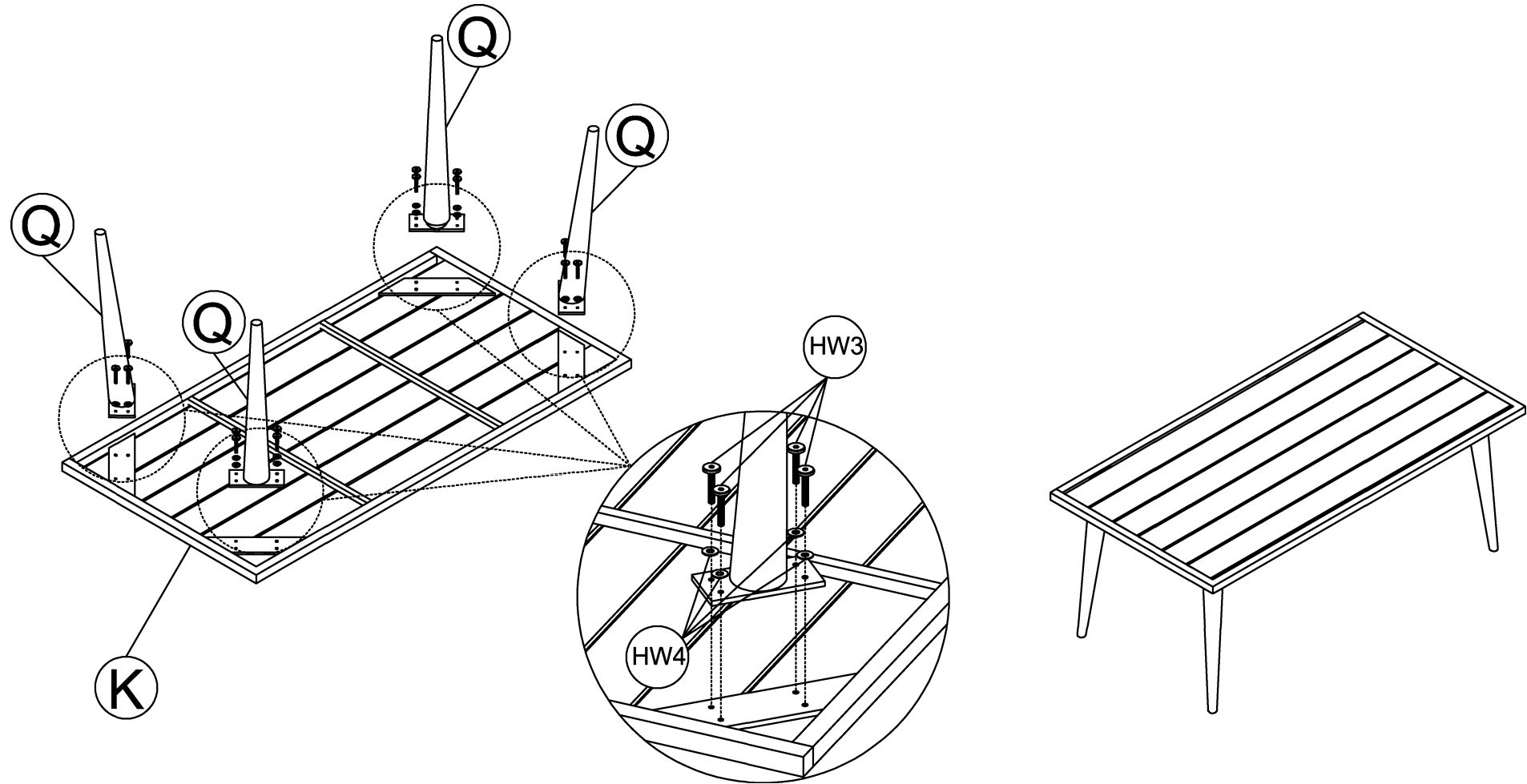
PREPARATION

Before beginning assembly of product, make sure all parts are present. Compare parts with package contents list and hardware contents list. If any part is missing or damaged, do not attempt to assemble the product.

Estimated Assembly Time: 15 minutes.

Tools Required for Assembly (included): Allen Key

1



Step 1

Using bolt (HW3) and insert (HW4) to fix table frame (K) and table legs (Q)