

CARE AND MAINTENANCE

Store outdoor furniture indoors or cover well when not in use.
Remove wicker furniture from standing water. Dust regularly with small brush or vacuum
Spills should be taken care of immediately before they harden or stain with a slightly dampened sponge.

NOTICE

- * Please make sure that you have all parts indicated before you begin assembly of this item
- * This item should be assembled on a soft surface to prevent scratching the finish during assembly
- * This item may require periodic tightening

 **SAFAVIEH**
O U T D O O R


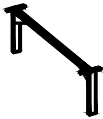





Weight Capacity : 600 lbs

Warning : Do not stand on Sunlounger

Warning : Do not over torque bolts / screws

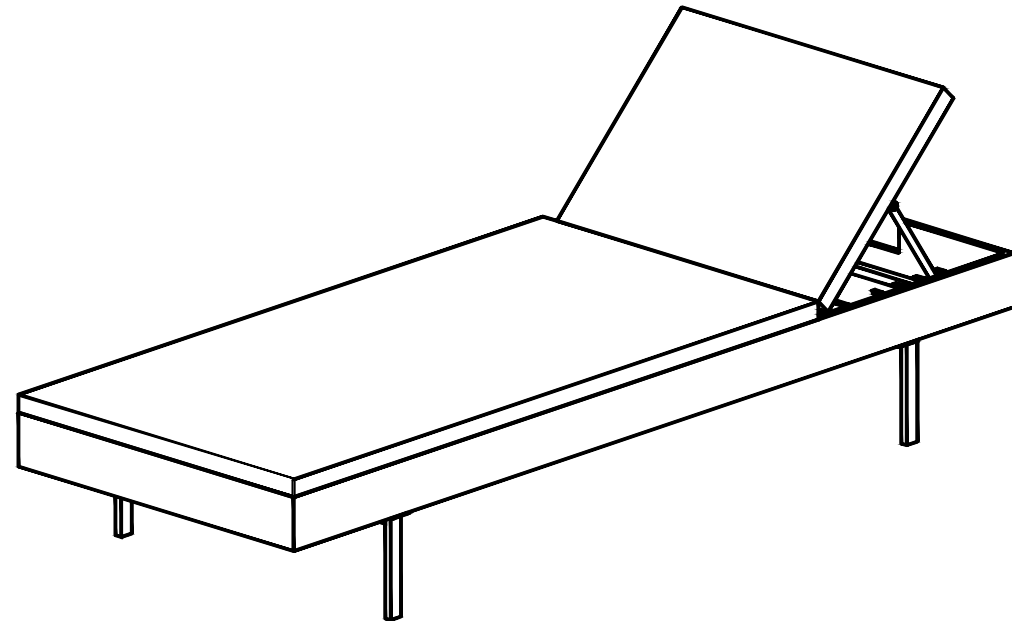


Part List and Hardware List

PIECE	DESCRIPTION	PICTURE	QUANTITY
1	Sunlounger frame		1X
2	Leg sunlounger		2X
3	Cushion sunlounger		1X
A	Allen bolt (M6x20mm)		8X
B	Allen bolt (M6x40mm)		4X
C	Washer (6x15x1mm)		12X
D	Allen key M4		1X

Model# PAT7501

Product Dimensions: 24.80"x77.95"x39.17" H

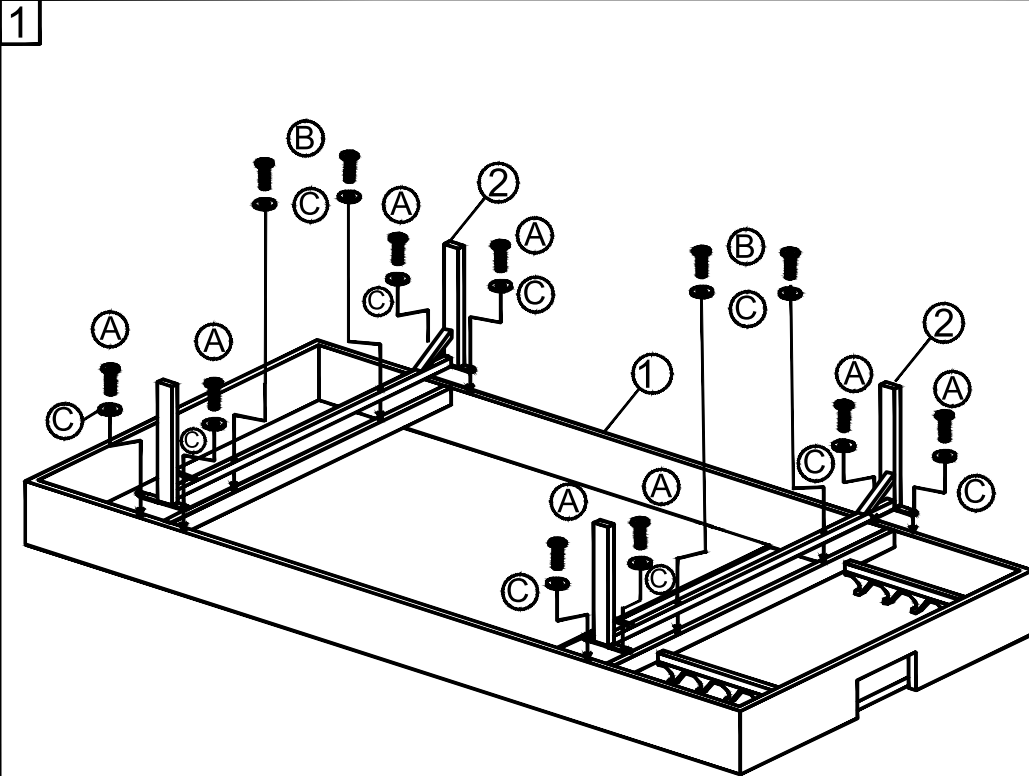


PREPARATION

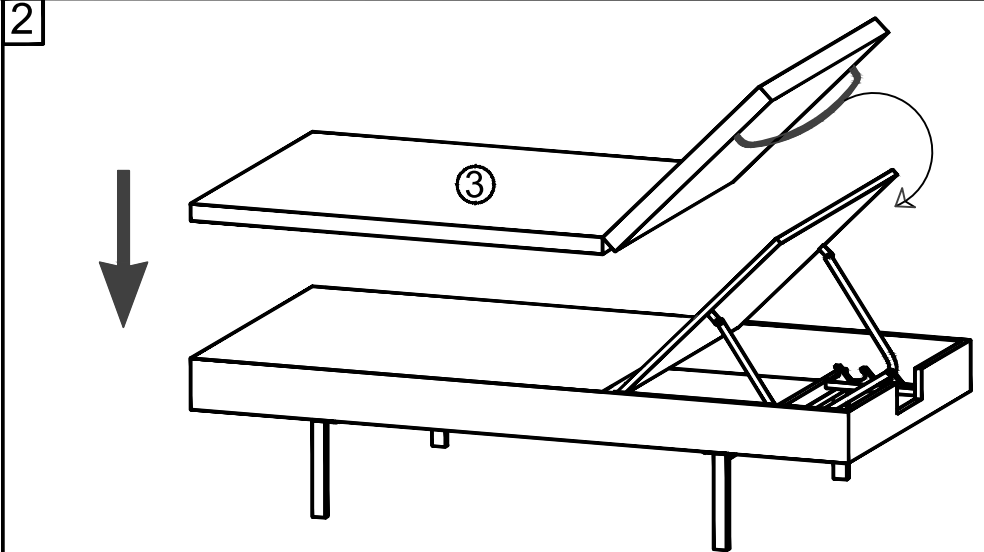
Before beginning assembly of product make sure all parts are present. Compare parts with package contents list and hardware contents list. If any part is missing or damaged do not attempt to assemble the product.

Estimated Assembly Time: 10 minutes.

Tools Required for Assembly (included): Allen Key



Step 1
Connect Sunlounger Frame (1) Leg sunlounger (2)
tighten Bolt (A) Bolt (B) with Allen key (D)



Step 2
Put on Cushion (3) to complete Sunlounger

Finish

