

NOTICE

*Please make sure that you have all parts indicated and they are in good condition before you begin assembly of this item. Refer to part list and hardware list below for guidance.

*This item should be assembled on a soft surface to prevent scratching the finish during assembly.

*This item may require periodic tightening.

*If you are having difficulty, our friendly Customer Care team is always here to help. Please email customersupport@safavieh.com.

PREPARATION

* Before beginning assembly of product, make sure all parts are present. Compare parts with part contents list and hardware contents list.

* If any part is missing or damaged, do not attempt to assemble the product.

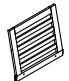

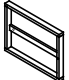
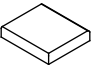
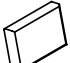


* Estimated Assembly Time: 10 minutes.




* **Tools Required for Assembly (included): Allen Key**

CARE AND MAINTENANCE

Insert Care and Maintenance here

Part List and Hardware List

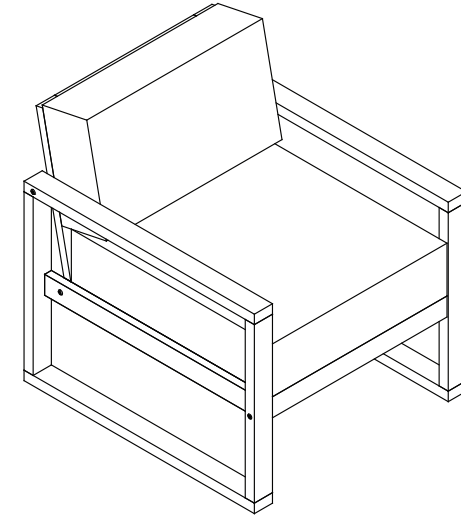
PIECE	DESCRIPTION	PICTURE	QUANTITY
A	Frame back		1X
B	Frame Seat		1X
C	Frame leg - 1		2X
CSH1	Seat Cushion		1X
CSH2	Back Cushion		1X
HW1	Screw: M6 x0.5 x90 mm		2X
HW2	Screw: M6 x0.5 x50 mm		2X

PIECE	DESCRIPTION	PICTURE	QUANTITY
HW3	Allen Bolt: M6x0.5x75 mm		2X
HW4	Allen Bolt: M6x0.5x35 mm		2X
HW5	Allen key 4		1X

 **SAFAVIEH**
O U T D O O R

Model# PAT- 7312

Product Dimensions: 27.56" W x 30.71" D x 29.53" H



Weight Capacity : 400 lbs

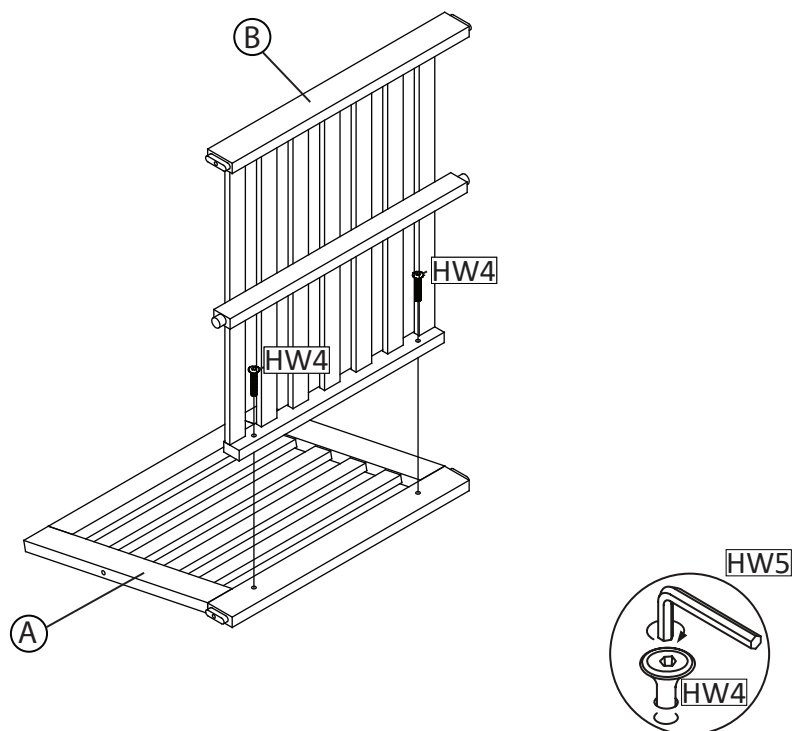
Warning : Do not stand on bench

Warning : Do not over torque bolts / screws

PREPARATION

- *Before beginning assembly of product, make sure all parts are present. Compare parts with package contents list and hardware contents list.
- *If any part is missing or damaged, do not attempt to assemble the product.
- * Estimated Assembly Time : 10 minutes.
- * Tools Required for Assembly (included): Allen Key
- * If you are having difficulty, our friendly Customer care team is always here to help. Please email customersupport@safavieh.com

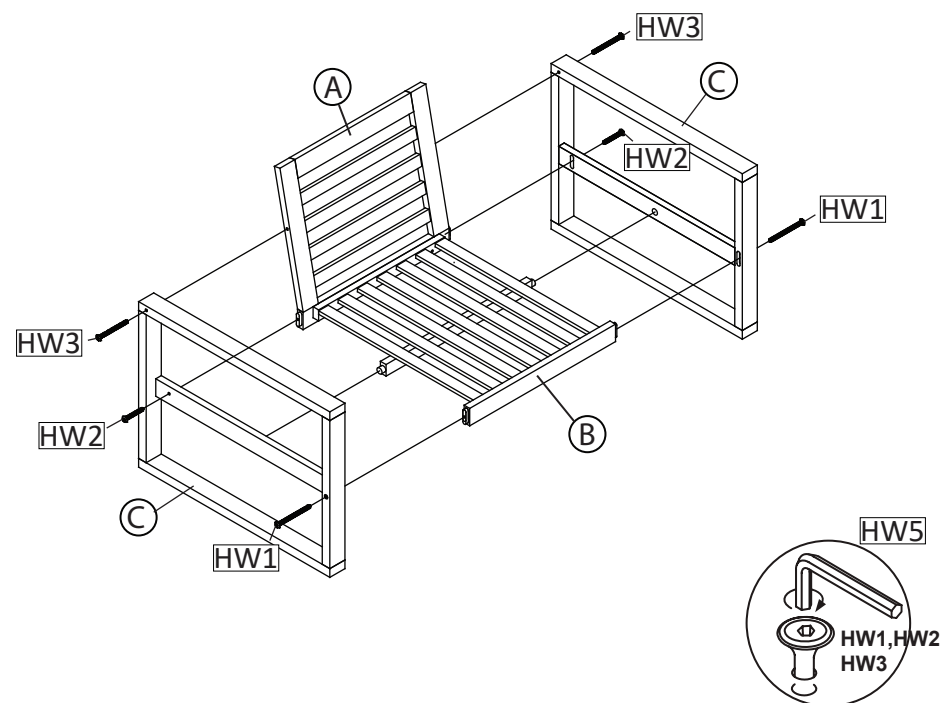
1



Step 1

Tighten bolt (HW4) with allen key (HW5) to attach Frame seat (B) and frame back (A)

2



Step 2

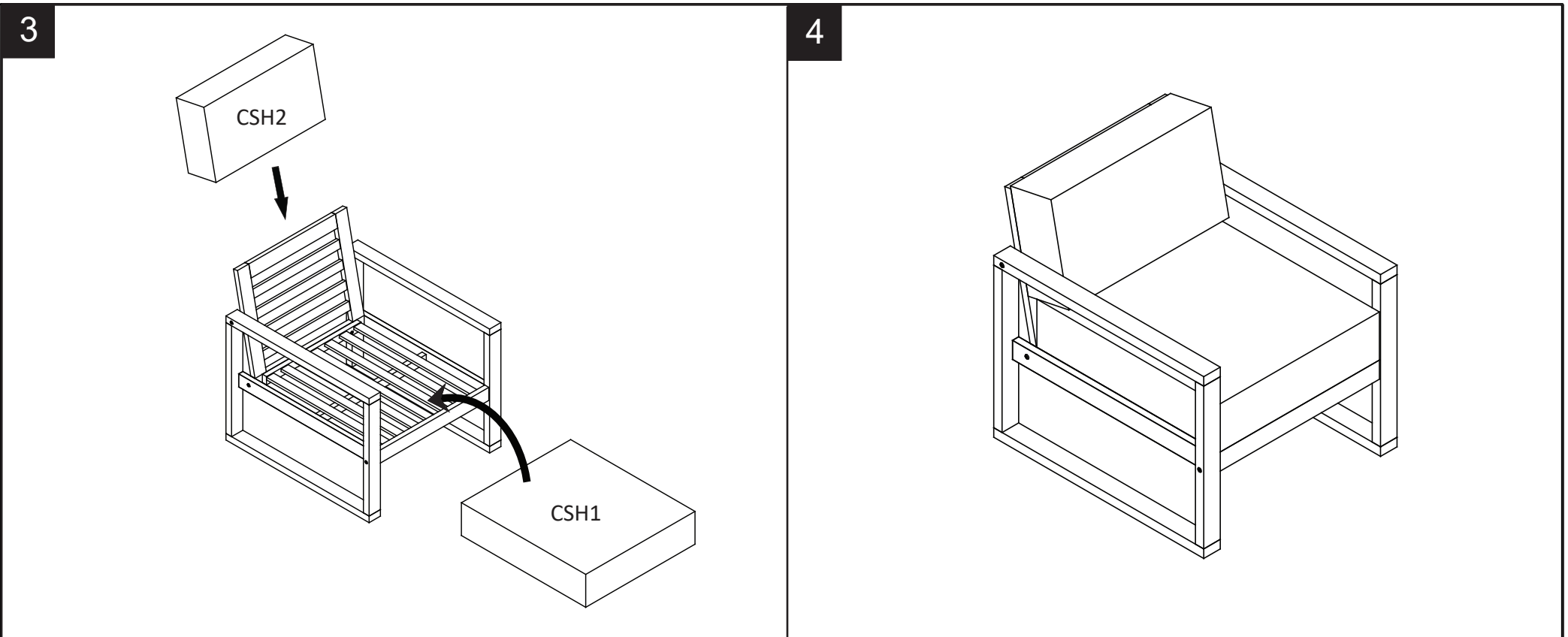
Tighten screws (HW1) with allen key (HW5) to attach Frame seat (A) and leg frame (C).

Tighten Bolts (HW3) with allen key (HW5) to attach back frame (A) and leg frame (C).

Tighten screws (HW2) with allen key (HW5) to attach back frame (A) and leg frame (C).

PREPARATION

- *Before beginning assembly of product, make sure all parts are present. Compare parts with package contents list and hardware contents list.
- *If any part is missing or damaged, do not attempt to assemble the product.
- * Estimated Assembly Time : 10 minutes.
- * Tools Required for Assembly (included): Allen Key
- * If you are having difficulty, our friendly Customer care team is always here to help. Please email customersupport@safavieh.com



Step 3 Attach Ensure all screws are fully locked into position.
Place Seat Cushion (CSH1), Back Cushion (CSH2) into the Chair.
The Chair is ready to be used.

Step 4 Caution: This Chair can only be used on a flat, level surface .

NOTICE

*Please make sure that you have all parts indicated and they are in good condition before you begin assembly of this item. Refer to part list and hardware list below for guidance.

*This item should be assembled on a soft surface to prevent scratching the finish during assembly.

*This item may require periodic tightening.

*If you are having difficulty, our friendly Customer Care team is always here to help. Please email customersupport@safavieh.com.

PREPARATION

* Before beginning assembly of product, make sure all parts are present. Compare parts with part contents list and hardware contents list.

* If any part is missing or damaged, do not attempt to assemble the product.

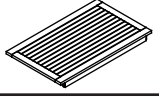
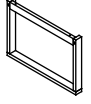



* Estimated Assembly Time: 10 minutes.

* **Tools Required for Assembly (included): Allen Key**

CARE AND MAINTENANCE

Insert Care and Maintenance here

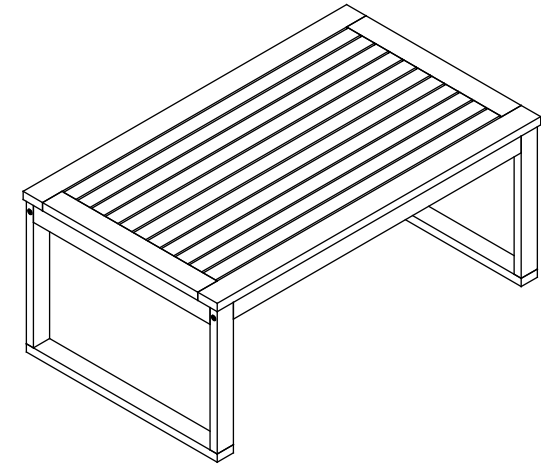
Part List and Hardware List

PIECE	DESCRIPTION	PICTURE	QUANTITY
A	Table Top		1X
B	Leg Frame		2X
HW1	Screws: M6x0.5x90 mm	 M6x90	4X
HW2	Screws: M6x0.5x70 mm	 M6x70	4X
HW3	Allen key	 LG4	1X

 **SAFAVIEH**
O U T D O O R

Model# PAT-7312

Product Dimensions: 39.37" W x 23.62" D x 16.93" H



Weight Capacity :40 Ibs

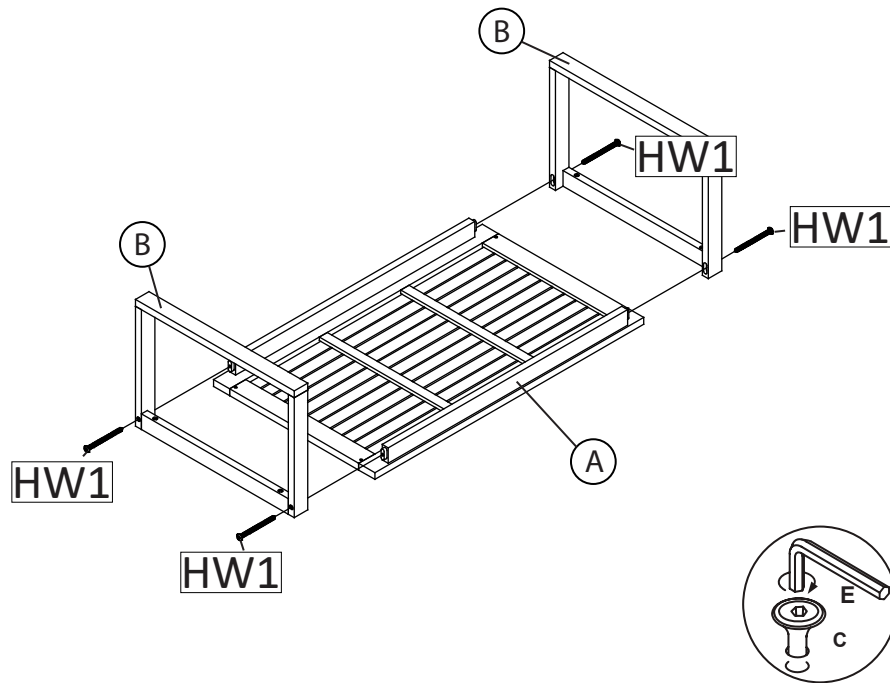
Warning : Do not stand on chair

Warning : Do not over torque bolts / screws

PREPARATION

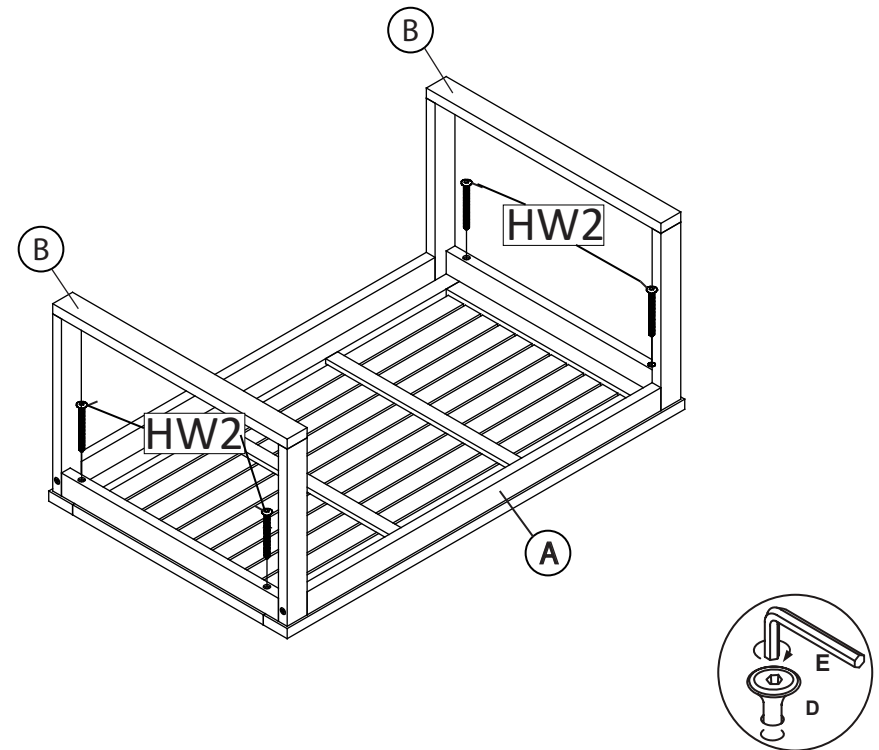
- *Before beginning assembly of product, make sure all parts are present. Compare parts with package contents list and hardware contents list.
- *If any part is missing or damaged, do not attempt to assemble the product.
- * Estimated Assembly Time : 10 minutes.
- * Tools Required for Assembly (included): Allen Key
- * If you are having difficulty, our friendly Customer care team is always here to help. Please email customersupport@safavieh.com

1



Step 1
Attach leg frame (B) to Table top (A) ,use Screws (HW1),tighten with allen key (HW3).

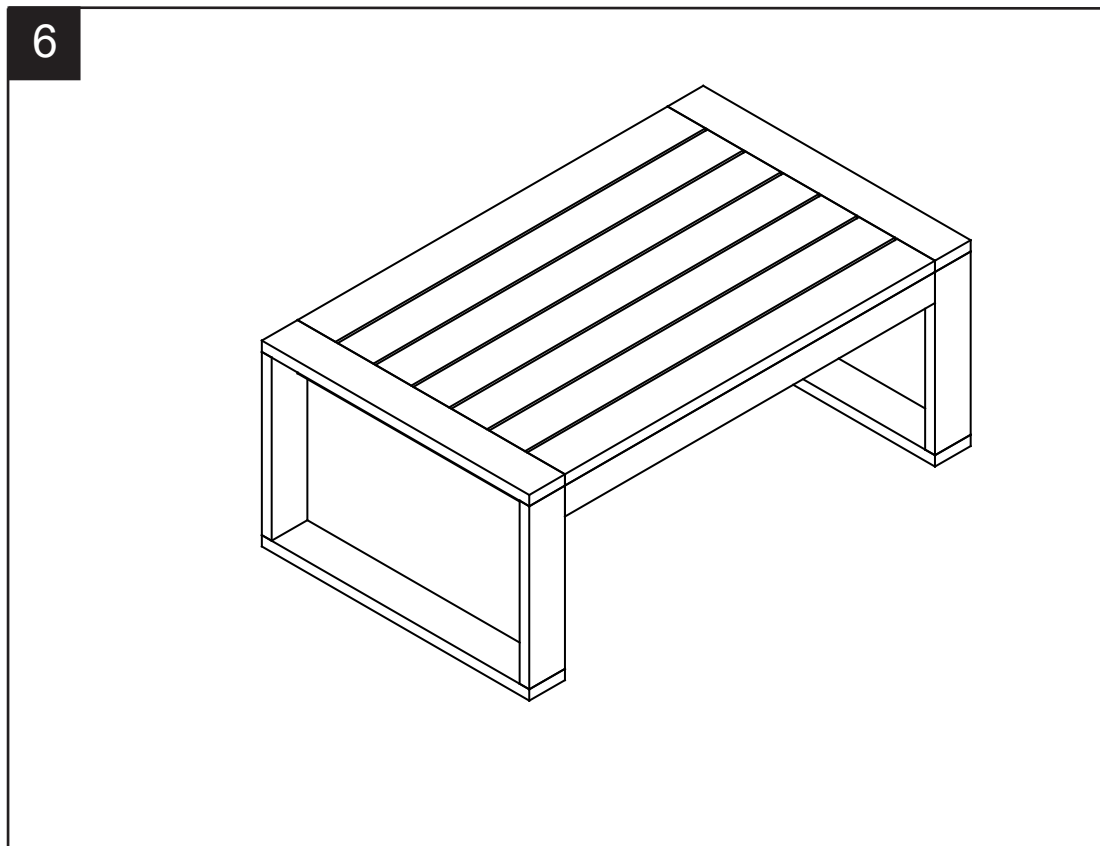
2



Step 2
Attach leg frame (B) to Table top (A) ,use Screws (HW2),tighten with allen key (HW3).

PREPARATION

- *Before beginning assembly of product, make sure all parts are present. Compare parts with package contents list and hardware contents list.
- *If any part is missing or damaged, do not attempt to assemble the product.
- * Estimated Assembly Time : 10 minutes.
- * Tools Required for Assembly (included): Allen Key
- * If you are having difficulty, our friendly Customer care team is always here to help. Please email customersupport@safavieh.com



Step 3 Caution: This Table can only be used on a flat, level surface