

NOTICE

*Please make sure that you have all parts indicated and they are in good condition before you begin assembly of this item. Refer to part list and hardware list below for guidance.

*This item should be assembled on a soft surface to prevent scratching the finish during assembly.

*This item may require periodic tightening.

*If you are having difficulty, our friendly Customer Care team is always here to help. Please email customersupport@safavieh.com.

PREPARATION

* Before beginning assembly of product, make sure all parts are present. Compare parts with part contents list and hardware contents list.

* If any part is missing or damaged, do not attempt to assemble the product.




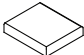
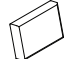
* Estimated Assembly Time: 10 minutes.

* **Tools Required for Assembly (included): Allen Key**

CARE AND MAINTENANCE

Store outdoor furniture indoors or cover well when not in use. Dust regularly with small brush or vacuum. Spills should be taken care of immediately before they harden or stain with a slightly damp sponge.

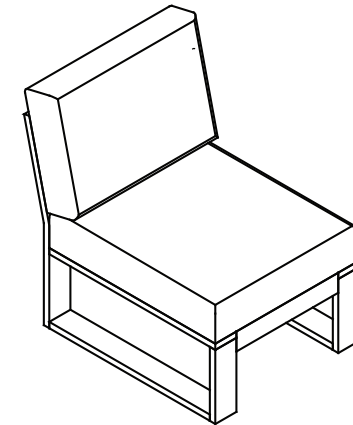
Part List and Hardware List

PIECE	DESCRIPTION	PICTURE	QUANTITY
A	Back Frame		1X
B	Seat frame		1X
C	Leg Frame		2X
CSH1	Seat Cushion		1X
CSH2	Back Cushion		1X



Model# PAT7308




Product Dimensions: 22.8" W x 30.3" D x 27.5" H



Weight Capacity : 220 lbs

Warning : Do not stand on chair

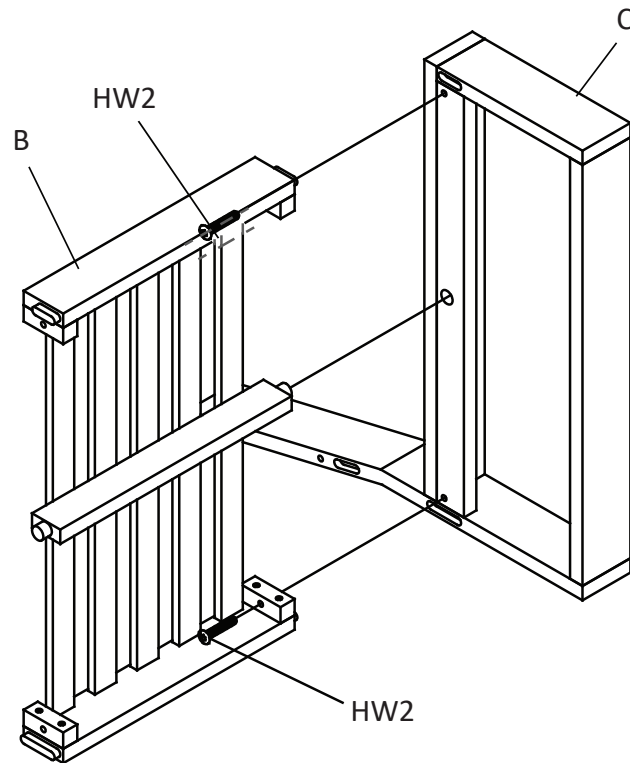
Warning : Do not over torque bolts / screws

PIECE	DESCRIPTION	PICTURE	QUANTITY
HW1	Screw: M6 x0.5 x70 mm		4X
HW2	Allen Bolt: M6x0.5x35 mm		4X
HW3	Allen key 4		1X

PREPARATION

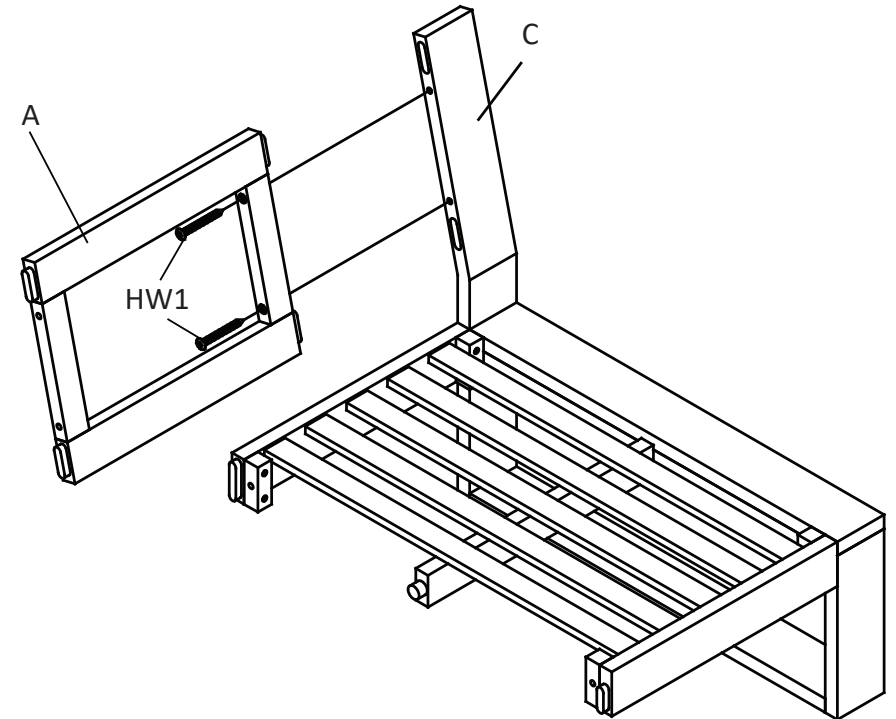
- *Before beginning assembly of product, make sure all parts are present. Compare parts with package contents list and hardware contents list.
- *If any part is missing or damaged, do not attempt to assemble the product.
- * Estimated Assembly Time : 10 minutes.
- * Tools Required for Assembly (included): Allen Key
- * If you are having difficulty, our friendly Customer care team is always here to help. Please email customersupport@safavieh.com

1



Step 1
Tighten bolt (HW2) with allen key (HW3) to attach frame seat (B) and leg frame (C).

2

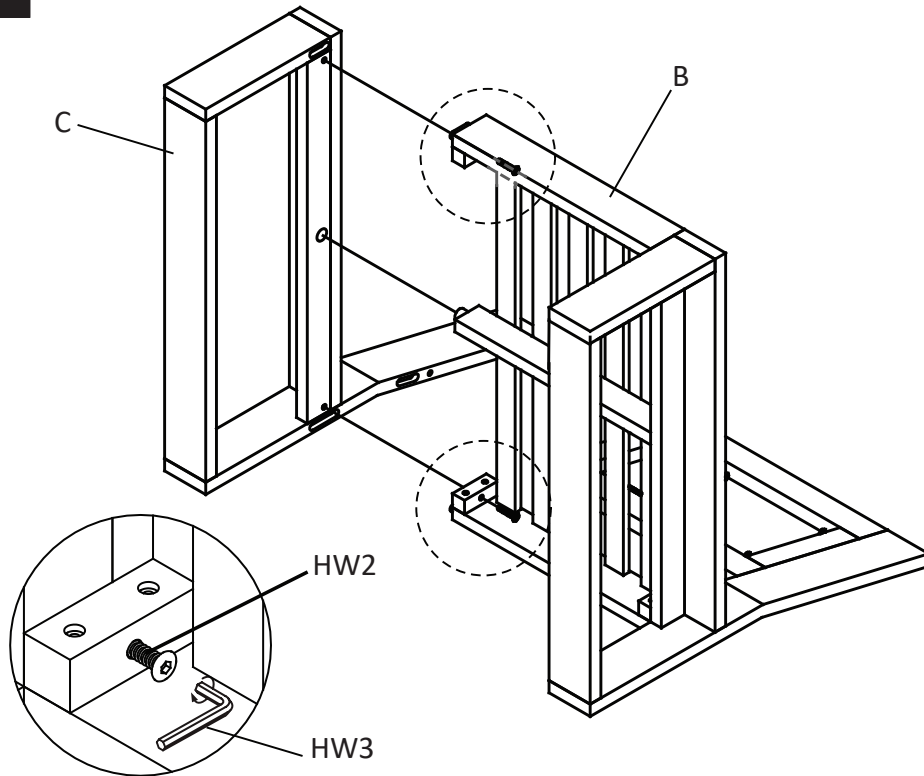


Step 2
Tighten screws (HW1) with allen key (HW3) to attach back frame (A) and leg frame (C).

PREPARATION

- *Before beginning assembly of product, make sure all parts are present. Compare parts with package contents list and hardware contents list.
- *If any part is missing or damaged, do not attempt to assemble the product.
- * Estimated Assembly Time : 10 minutes.
- * Tools Required for Assembly (included): Allen Key
- * If you are having difficulty, our friendly Customer care team is always here to help. Please email customersupport@safavieh.com

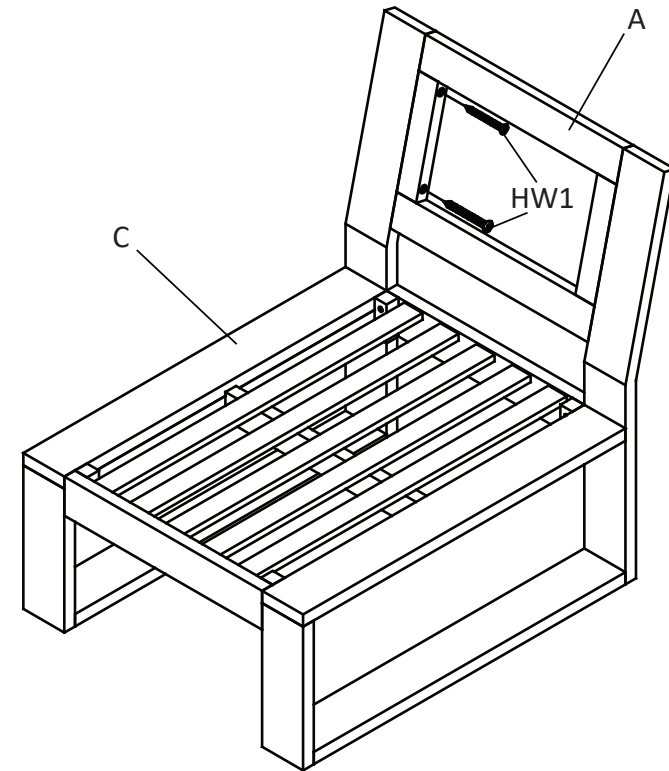
3



Step 3

Tighten bolt (HW2) with allen key (HW3) to attach frame seat (B) and leg frame (C).

4



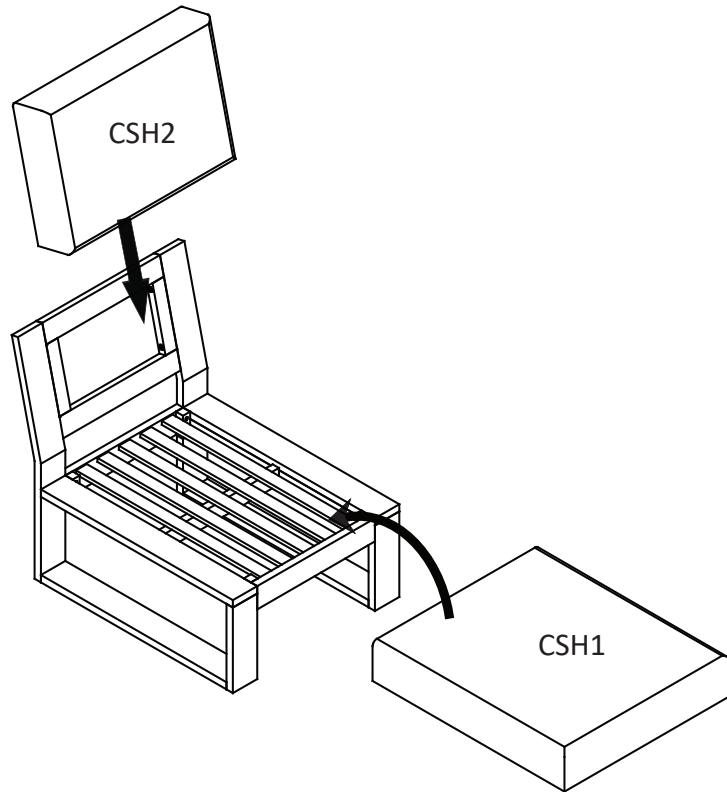
Step 4

Tighten Screws (HW1) with allen key (HW3) to attach back frame (A) and leg frame (C).

PREPARATION

- *Before beginning assembly of product, make sure all parts are present. Compare parts with package contents list and hardware contents list.
- *If any part is missing or damaged, do not attempt to assemble the product.
- * Estimated Assembly Time : 10 minutes.
- * Tools Required for Assembly (included): Allen Key
- * If you are having difficulty, our friendly Customer care team is always here to help. Please email customersupport@safavieh.com

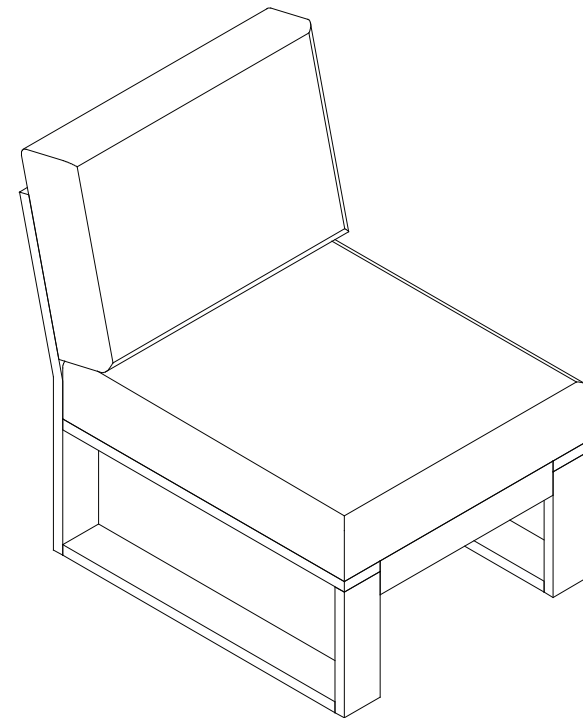
5



Step 5

Attach Ensure all screws are fully locked into position.
Place Seat Cushion (CSH1), Back Cushion (CSH2) into the Chair.
The Chair is ready to be used.

6



Step 6

Caution: This Chair can only be used on a flat, level surface

NOTICE

*Please make sure that you have all parts indicated and they are in good condition before you begin assembly of this item. Refer to part list and hardware list below for guidance.

*This item should be assembled on a soft surface to prevent scratching the finish during assembly.

*This item may require periodic tightening.

*If you are having difficulty, our friendly Customer Care team is always here to help. Please email customersupport@safavieh.com.

PREPARATION

* Before beginning assembly of product, make sure all parts are present. Compare parts with part contents list and hardware contents list.

* If any part is missing or damaged, do not attempt to assemble the product.

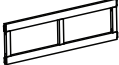




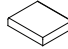
* Estimated Assembly Time: 10 minutes.

* **Tools Required for Assembly (included): Allen Key**

CARE AND MAINTENANCE

Store outdoor furniture indoors or cover well when not in use. Dust regularly with small brush or vacuum. Spills should be taken care of immediately before they harden or stain with a slightly damp sponge.

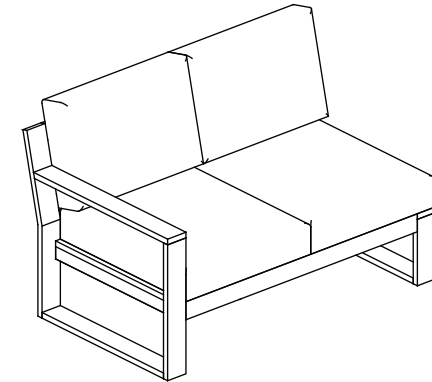
Part List and Hardware List

PIECE	DESCRIPTION	PICTURE	QUANTITY
A	Back Frame		1X
B	Seat frame		1X
C	Frame leg - 1		1X
D	Frame leg - 2		1X
E	Extra seat leg		1X
CSH1	Seat Cushion		2X

 **SAFAVIEH**
O U T D O O R

Model# PAT7308

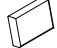




Product Dimensions: 49" W x 30.3" D x 27.5" H



Weight Capacity : 400 lbs

Warning : Do not stand on bench

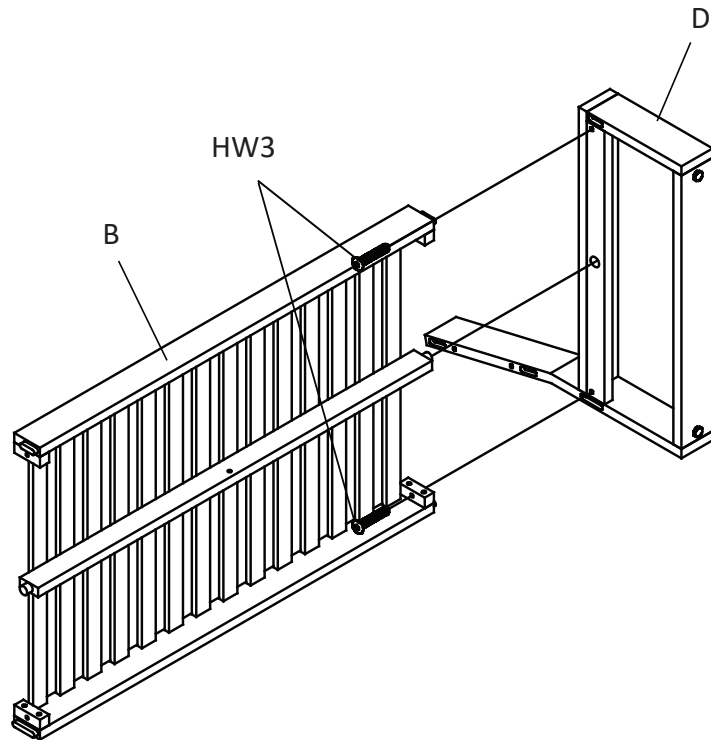
Warning : Do not over torque bolts / screws

PIECE	DESCRIPTION	PICTURE	QUANTITY
CSH2	Back Cushion		2X
HW1	Screw: M6 x0.5 x70 mm		4X
HW2	Screw: M6 x0.5 x30 mm		1X
HW3	Allen Bolt: M6x0.5x35 mm		4X
HW4	Allen key 4		1X

PREPARATION

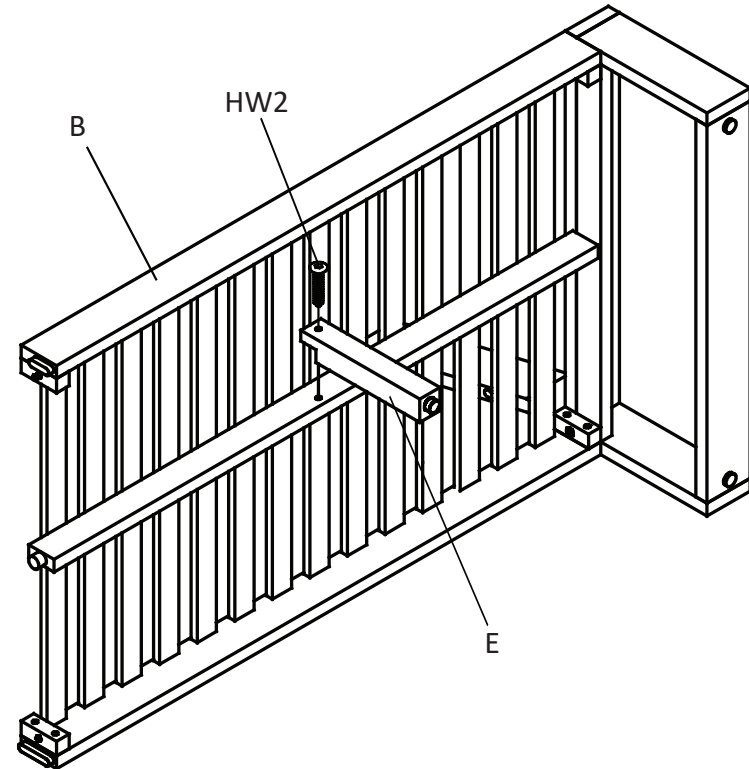
- *Before beginning assembly of product, make sure all parts are present. Compare parts with package contents list and hardware contents list.
- *If any part is missing or damaged, do not attempt to assemble the product.
- * Estimated Assembly Time : 10 minutes.
- * Tools Required for Assembly (included): Allen Key
- * If you are having difficulty, our friendly Customer care team is always here to help. Please email customersupport@safavieh.com

1



Step 1
Tighten bolt (HW3) with allen key (HW4) to attach Seat frame (B) and leg frame -2 (D)

2

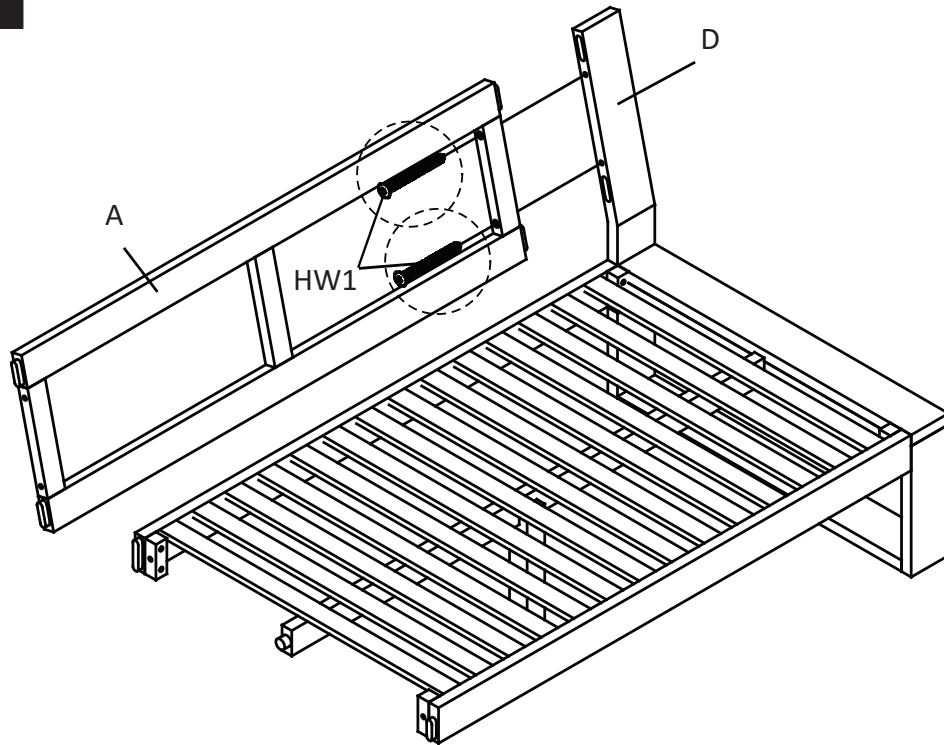


Step 2
Tighten screws (HW2) with allen key (HW4) to attach Seat frame (B) and Extra seat leg (E).

PREPARATION

- *Before beginning assembly of product, make sure all parts are present. Compare parts with package contents list and hardware contents list.
- *If any part is missing or damaged, do not attempt to assemble the product.
- * Estimated Assembly Time : 10 minutes.
- * Tools Required for Assembly (included): Allen Key
- * If you are having difficulty, our friendly Customer care team is always here to help. Please email customersupport@safavieh.com

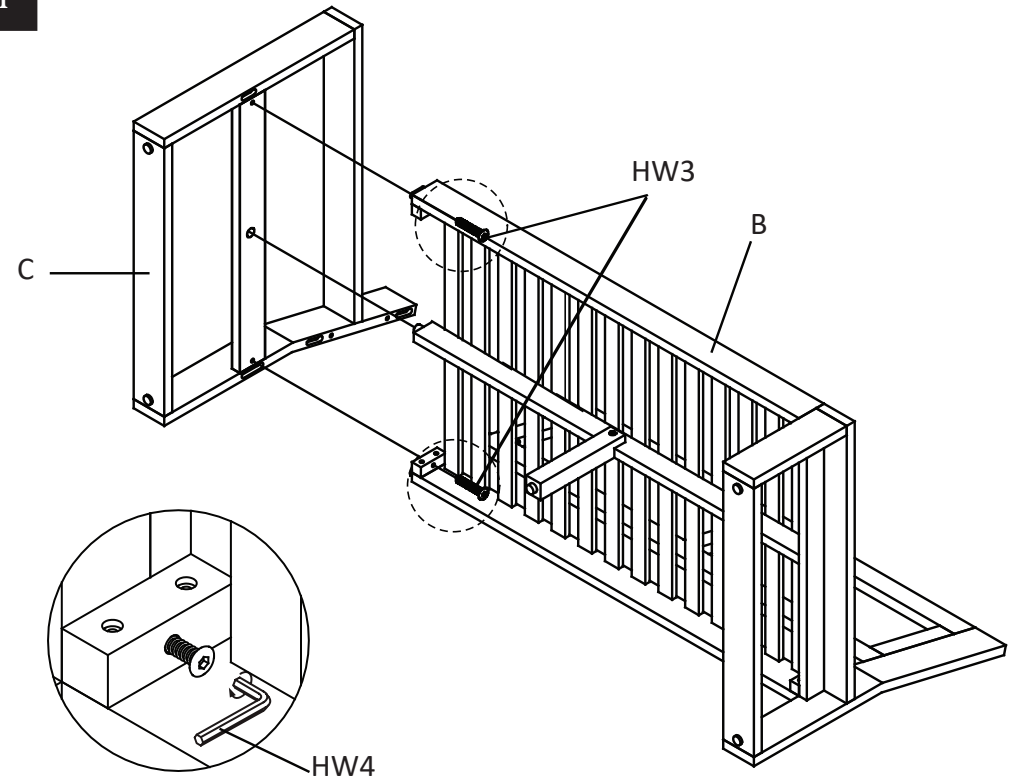
3



Step 3

Tighten Screws (HW1) with allen key (HW4) to attach Back Frame (A) and leg frame -2 (D)

4



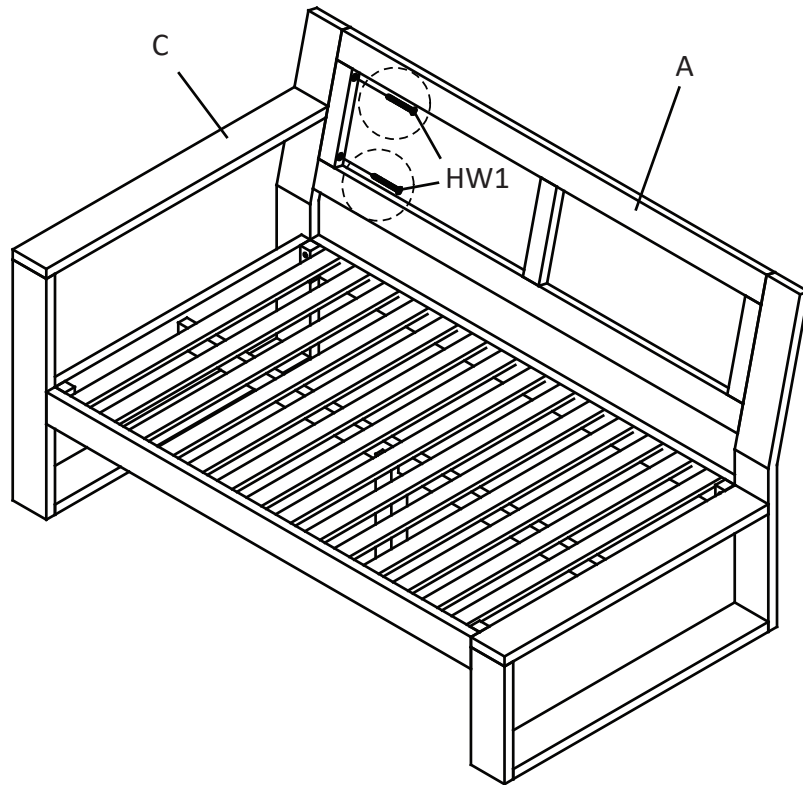
Step 4

Tighten Bolt (HW3) with allen key (HW4) to attach Seat frame (B) and leg frame -1 (C).

PREPARATION

- *Before beginning assembly of product, make sure all parts are present. Compare parts with package contents list and hardware contents list.
- *If any part is missing or damaged, do not attempt to assemble the product.
- * Estimated Assembly Time : 10 minutes.
- * Tools Required for Assembly (included): Allen Key
- * If you are having difficulty, our friendly Customer care team is always here to help. Please email customersupport@safavieh.com

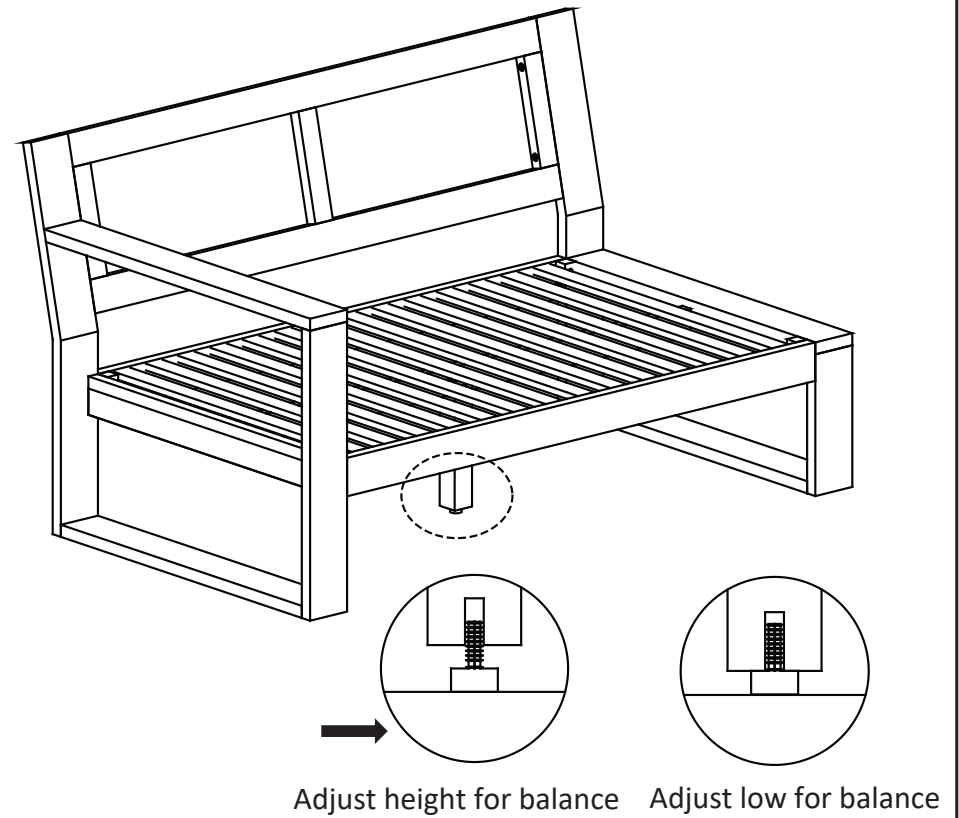
5



Step 5

Tighten Screws (HW1) with allen key (HW4) to attach Back Frame (A) and leg frame -1 (C)

6



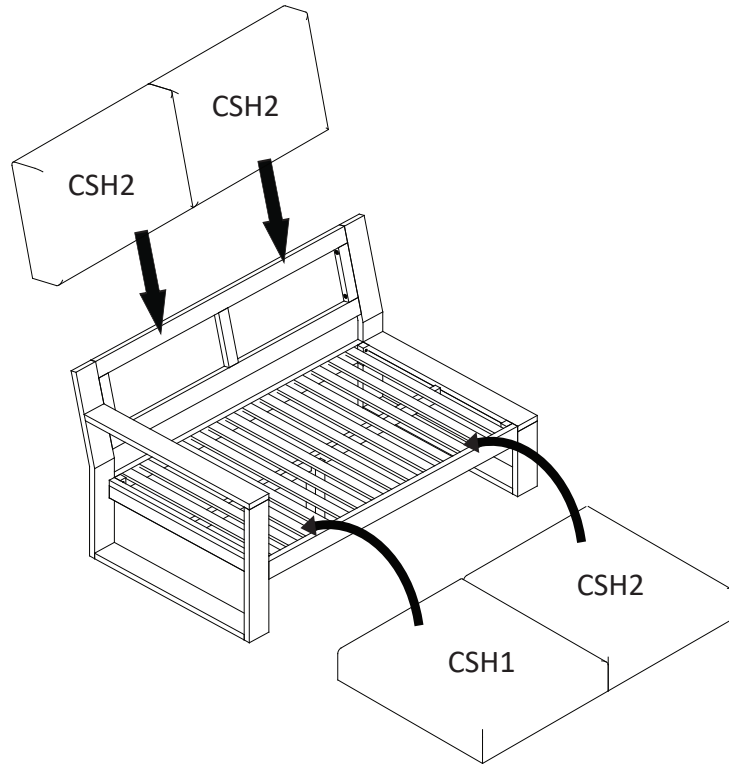
Step 6

Adjust Pre-installed Levellers height for balance

PREPARATION

- *Before beginning assembly of product, make sure all parts are present. Compare parts with package contents list and hardware contents list.
- *If any part is missing or damaged, do not attempt to assemble the product.
- * Estimated Assembly Time : 10 minutes.
- * Tools Required for Assembly (included): Allen Key
- * If you are having difficulty, our friendly Customer care team is always here to help. Please email customersupport@safavieh.com

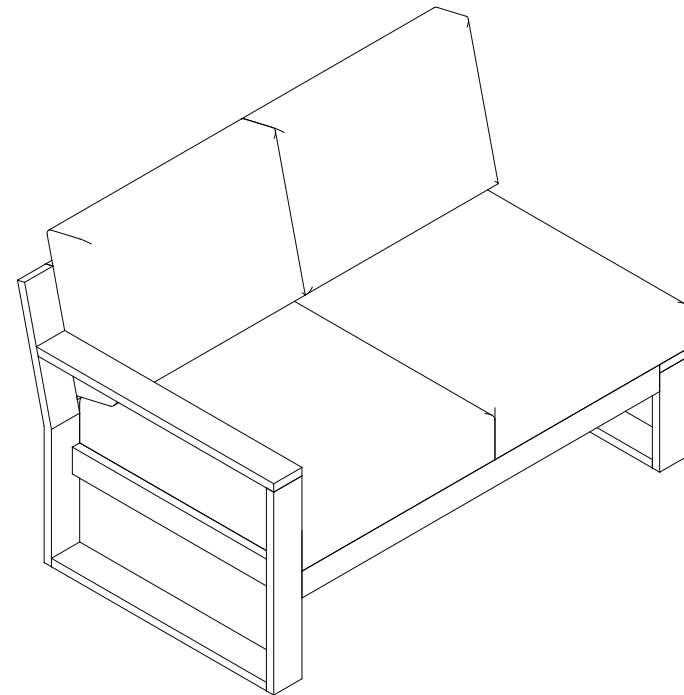
7



Step 7

Attach Ensure all screws are fully locked into position.
Place Seat Cushion (CSH1), Back Cushion (CSH2) into the Chair.
The Chair is ready to be used.

8



Step 8

Caution: This Chair can only be used on a flat, level surface

NOTICE

*Please make sure that you have all parts indicated and they are in good condition before you begin assembly of this item. Refer to part list and hardware list below for guidance.

*This item should be assembled on a soft surface to prevent scratching the finish during assembly.

*This item may require periodic tightening.

*If you are having difficulty, our friendly Customer Care team is always here to help. Please email customersupport@safavieh.com.

PREPARATION

* Before beginning assembly of product, make sure all parts are present. Compare parts with part contents list and hardware contents list.

* If any part is missing or damaged, do not attempt to assemble the product.

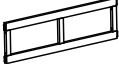





* Estimated Assembly Time: 10 minutes.

* **Tools Required for Assembly (included): Allen Key**

CARE AND MAINTENANCE

Store outdoor furniture indoors or cover well when not in use. Dust regularly with small brush or vacuum. Spills should be taken care of immediately before they harden or stain with a slightly damp sponge.

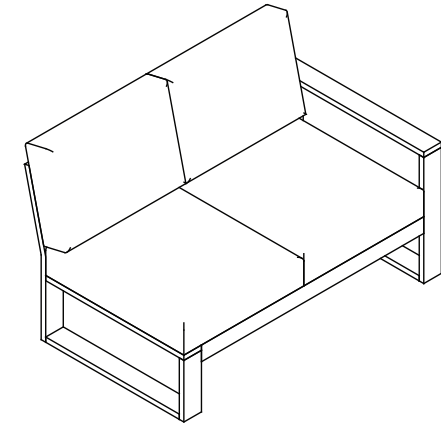
Part List and Hardware List

PIECE	DESCRIPTION	PICTURE	QUANTITY
A	Back Frame		1X
B	Seat frame		1X
C	Frame leg - 1		1X
D	Frame leg - 2		1X
E	Extra seat leg		1X
CSH1	Seat Cushion		2X

 **SAFAVIEH**
O U T D O O R

Model# PAT7308

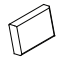




Product Dimensions: 49" W x 30.3" D x 27.5" H



Weight Capacity : 400 lbs

Warning : Do not stand on bench

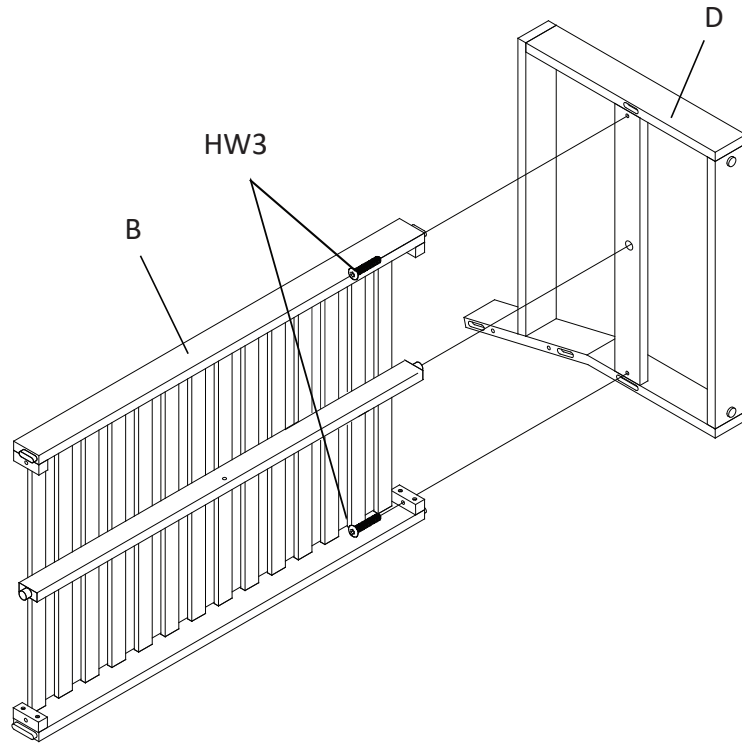
Warning : Do not over torque bolts / screws

PIECE	DESCRIPTION	PICTURE	QUANTITY
CSH2	Back Cushion		2X
HW1	Screw: M6 x0.5 x70 mm		4X
HW2	Screw: M6 x0.5 x30 mm		1X
HW3	Allen Bolt: M6x0.5x35 mm		4X
HW4	Allen key 4		1X

PREPARATION

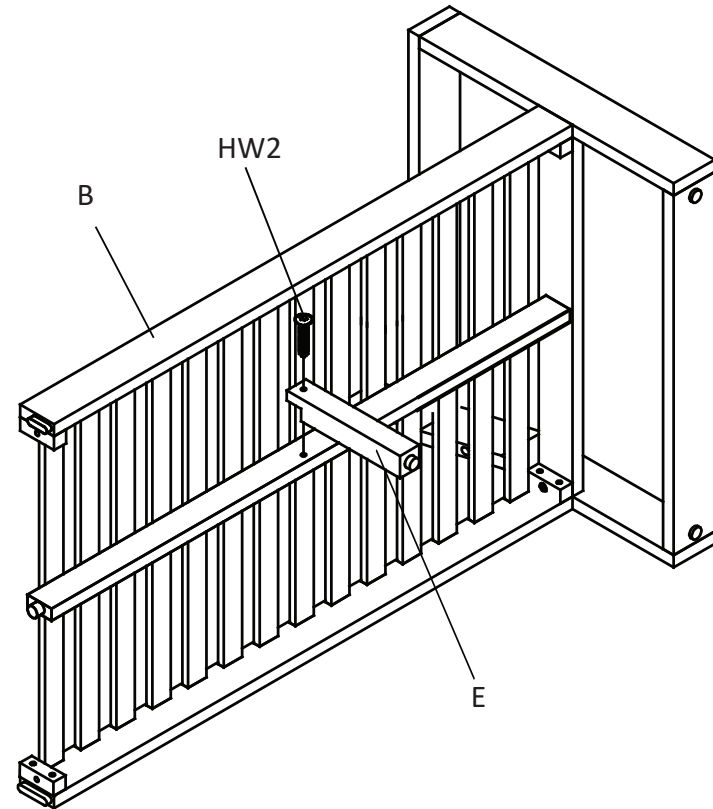
- *Before beginning assembly of product, make sure all parts are present. Compare parts with package contents list and hardware contents list.
- *If any part is missing or damaged, do not attempt to assemble the product.
- * Estimated Assembly Time : 10 minutes.
- * Tools Required for Assembly (included): Allen Key
- * If you are having difficulty, our friendly Customer care team is always here to help. Please email customersupport@safavieh.com

1



Step 1
Tighten bolt (HW3) with allen key (HW4) to attach Seat frame (B) and leg frame -2 (D)

2

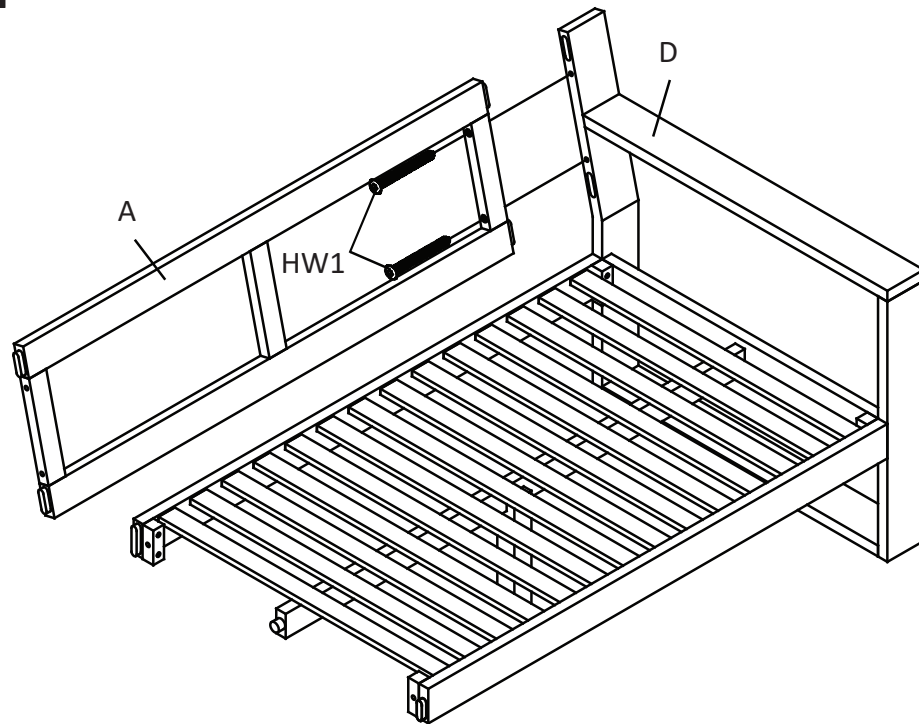


Step 2
Tighten screws (HW2) with allen key (HW4) to attach Seat frame (B) and Extra seat leg (E).

PREPARATION

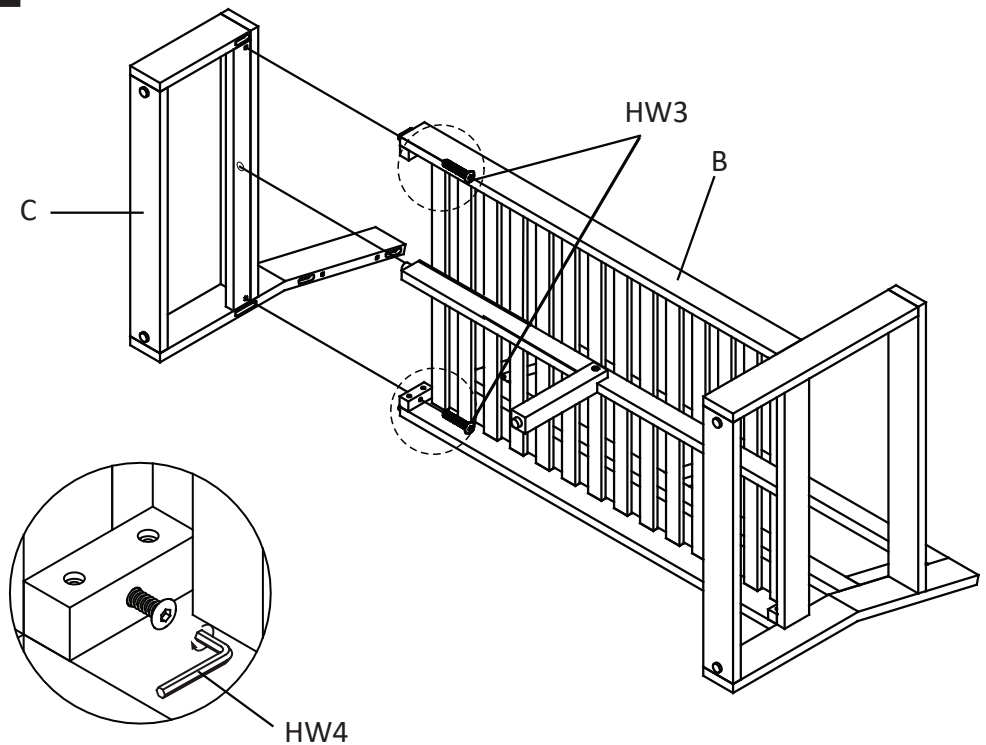
- *Before beginning assembly of product, make sure all parts are present. Compare parts with package contents list and hardware contents list.
- *If any part is missing or damaged, do not attempt to assemble the product.
- * Estimated Assembly Time : 10 minutes.
- * Tools Required for Assembly (included): Allen Key
- * If you are having difficulty, our friendly Customer care team is always here to help. Please email customersupport@safavieh.com

3



Step 3
Tighten Screws (HW1) with allen key (HW4) to attach Back Frame (A) and leg frame -2 (D)

4

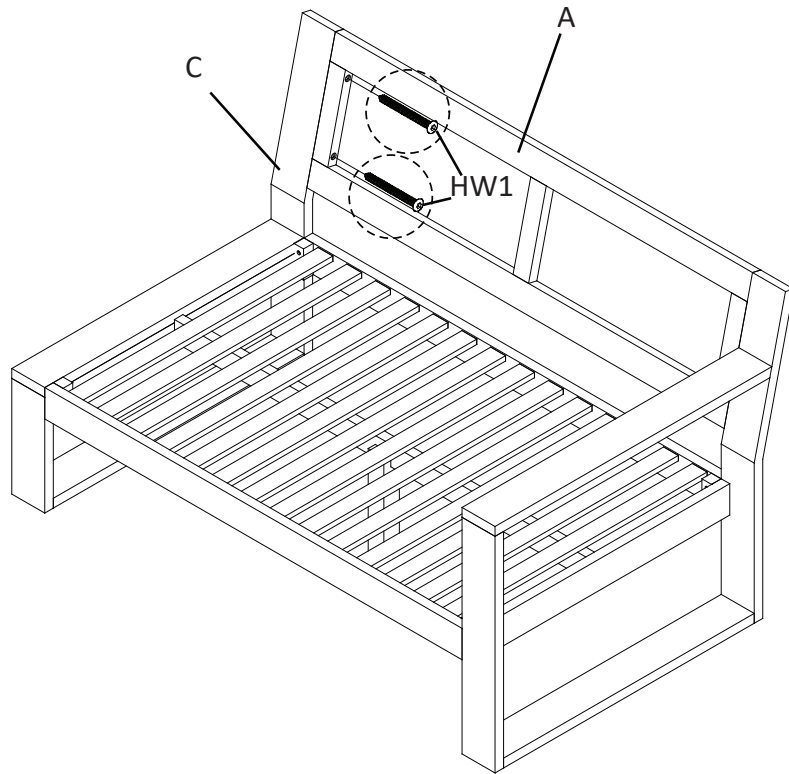


Step 4
Tighten Bolt (HW3) with allen key (HW4) to attach Seat frame (B) and leg frame -1 (C).

PREPARATION

- *Before beginning assembly of product, make sure all parts are present. Compare parts with package contents list and hardware contents list.
- *If any part is missing or damaged, do not attempt to assemble the product.
- * Estimated Assembly Time : 10 minutes.
- * Tools Required for Assembly (included): Allen Key
- * If you are having difficulty, our friendly Customer care team is always here to help. Please email customersupport@safavieh.com

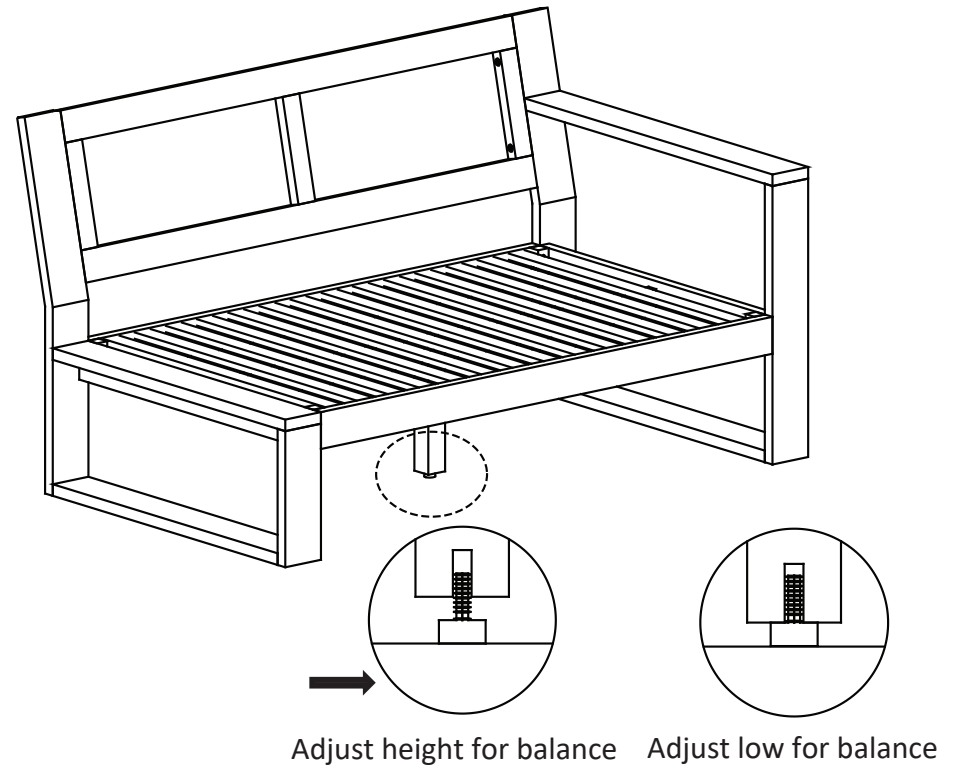
5



Step 5

Tighten Screws (HW1) with allen key (HW4) to attach Back Frame (A) and leg frame -1 (C)

6



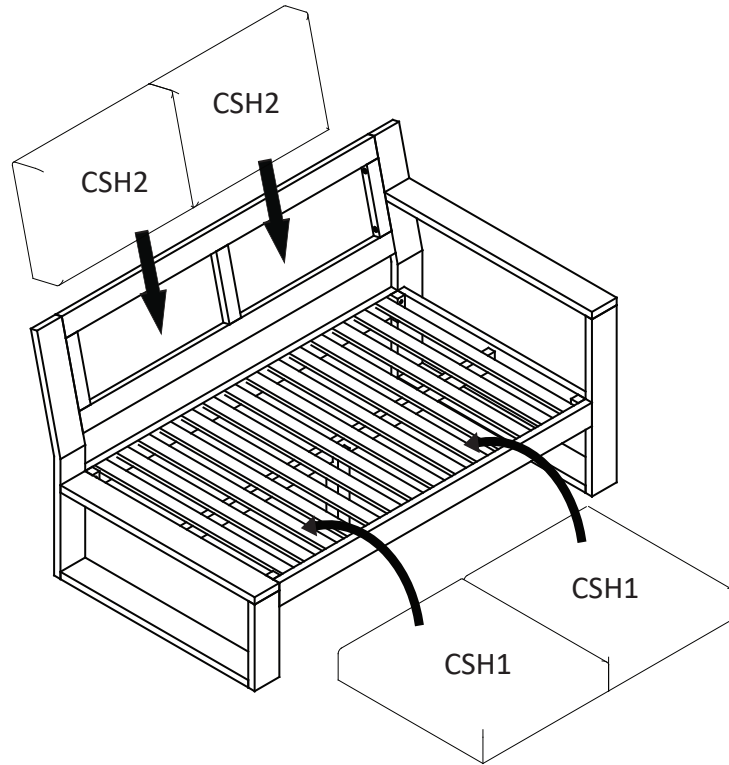
Step 6

Adjust Pre-installed Levellers height for balance

PREPARATION

- *Before beginning assembly of product, make sure all parts are present. Compare parts with package contents list and hardware contents list.
- *If any part is missing or damaged, do not attempt to assemble the product.
- * Estimated Assembly Time : 10 minutes.
- * Tools Required for Assembly (included): Allen Key
- * If you are having difficulty, our friendly Customer care team is always here to help. Please email customersupport@safavieh.com

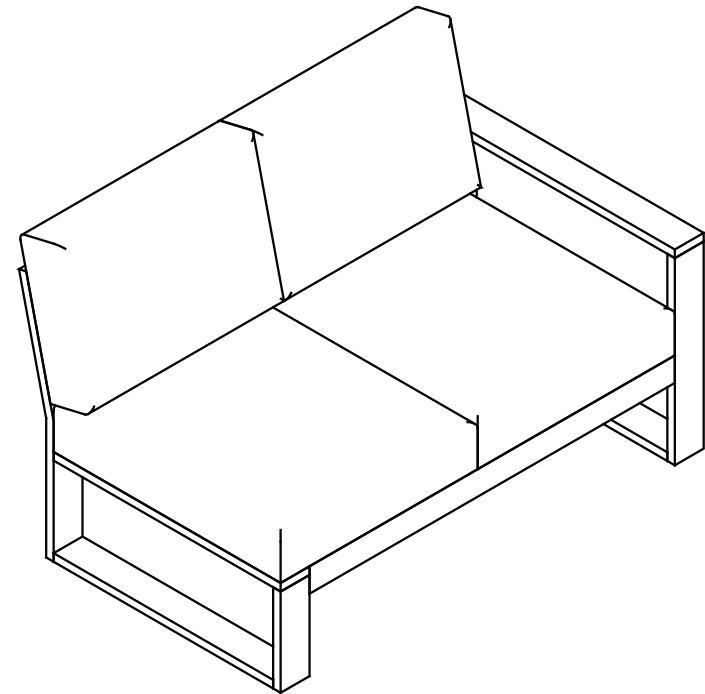
7



Step 7

Attach Ensure all screws are fully locked into position.
Place Seat Cushion (CSH1), Back Cushion (CSH2) into the Chair.
The Chair is ready to be used.

8



Step 8

Caution: This Chair can only be used on a flat, level surface

NOTICE

*Please make sure that you have all parts indicated and they are in good condition before you begin assembly of this item. Refer to part list and hardware list below for guidance.

*This item should be assembled on a soft surface to prevent scratching the finish during assembly.

*This item may require periodic tightening.

*If you are having difficulty, our friendly Customer Care team is always here to help. Please email customersupport@safavieh.com.

PREPARATION

* Before beginning assembly of product, make sure all parts are present. Compare parts with part contents list and hardware contents list.

* If any part is missing or damaged, do not attempt to assemble the product.

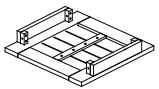
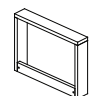


* Estimated Assembly Time: 10 minutes.

* **Tools Required for Assembly (included): Allen Key**

CARE AND MAINTENANCE

Store outdoor furniture indoors or cover well when not in use. Dust regularly with small brush or vacuum. Spills should be taken care of immediately before they harden or stain with a slightly damp sponge.

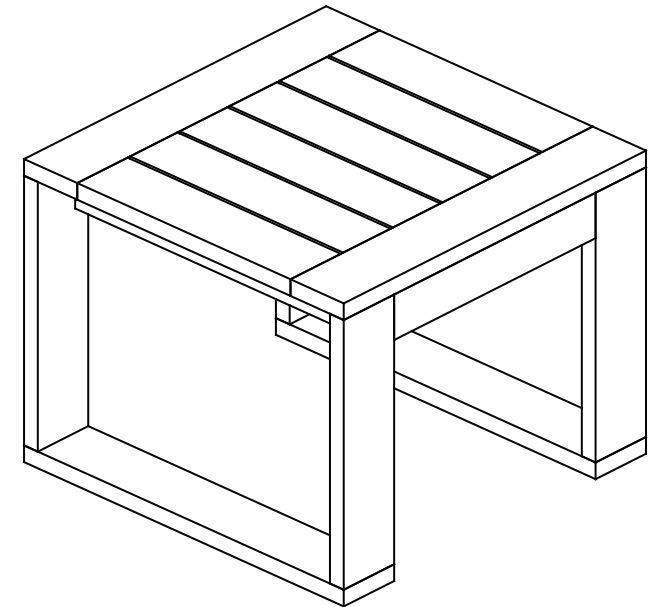
Part List and Hardware List

PIECE	DESCRIPTION	PICTURE	QUANTITY
A	Table Top		1X
B	Leg Frame		2X
HW1	Allen Bolt: M6x0.5x35 mm		4X
HW2	Allen key 4		1X



Model# PAT7308

Product Dimensions: 19.7" W x 19.7" D x 19.7" H



Weight Capacity : 40 lbs

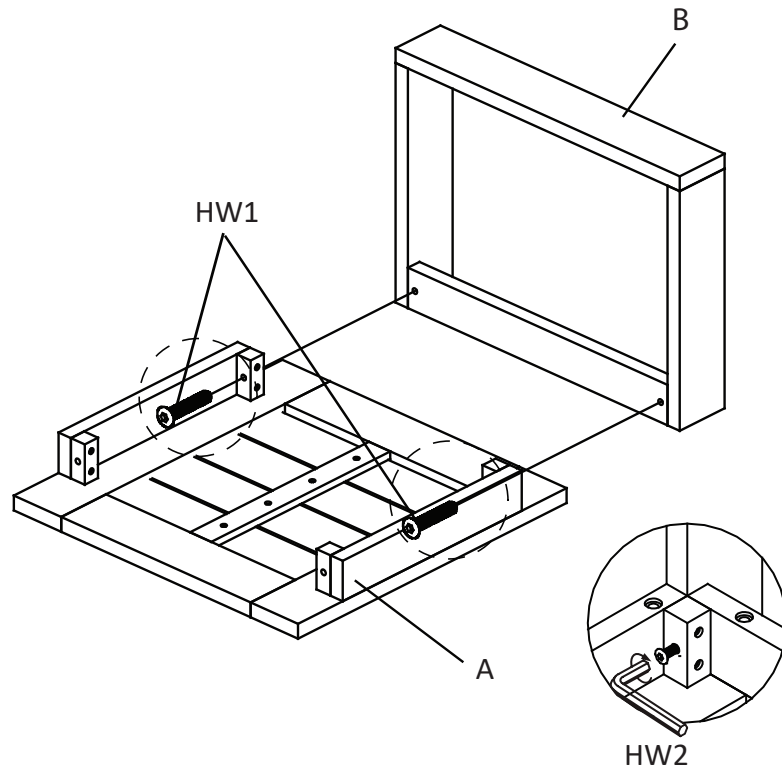
Warning : Do not stand on table

Warning : Do not over torque bolts / screws

PREPARATION

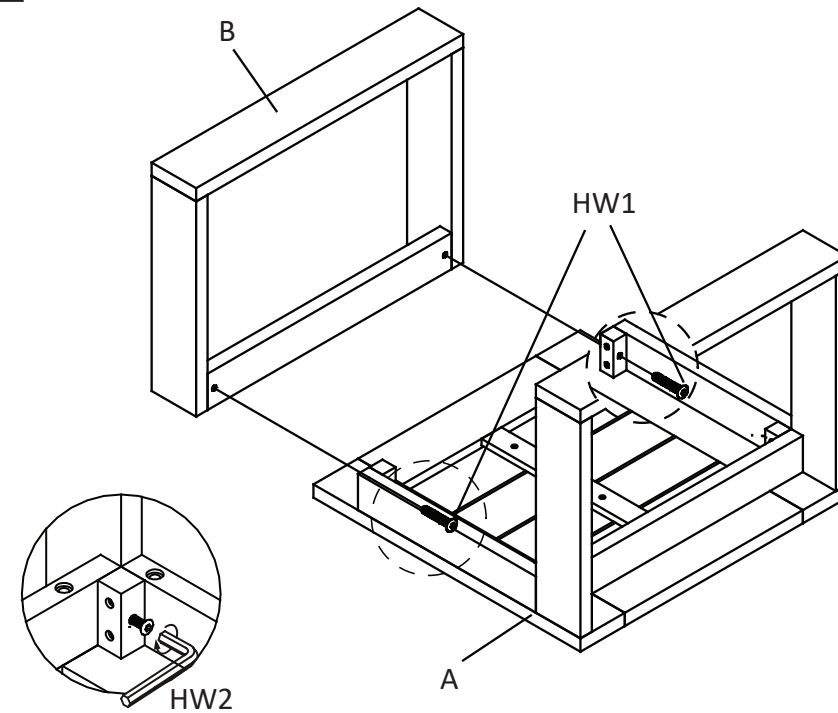
- *Before beginning assembly of product, make sure all parts are present. Compare parts with package contents list and hardware contents list.
- *If any part is missing or damaged, do not attempt to assemble the product.
- * Estimated Assembly Time : 10 minutes.
- * Tools Required for Assembly (included): Allen Key
- * If you are having difficulty, our friendly Customer care team is always here to help. Please email customersupport@safavieh.com

1



Step 1
Attach leg frame (B) to Table top (A) ,use Bolts (HW1),tighten with allen key (HW2).

2

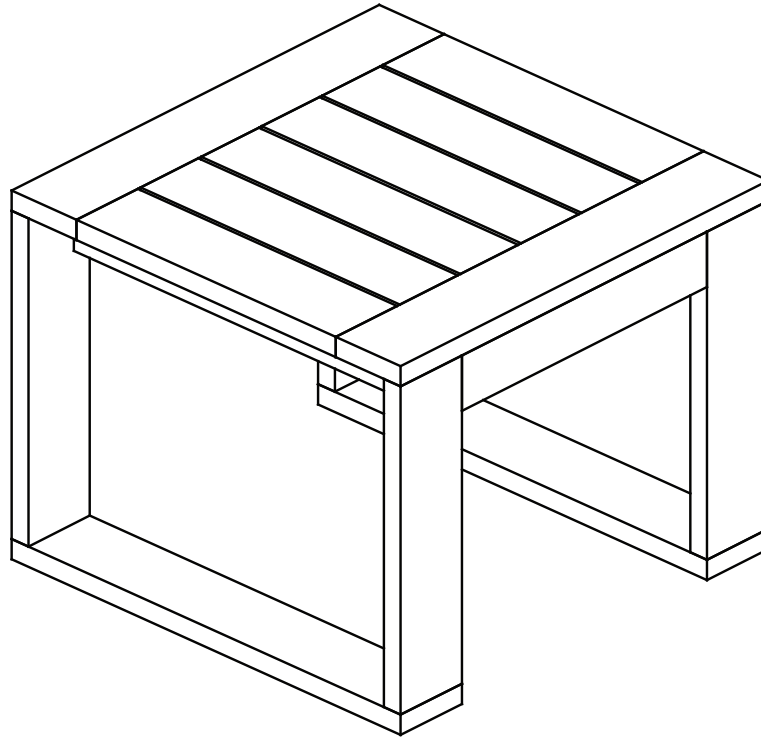


Step 2
Attach leg frame (B) to Table top (A) ,use Bolts (HW1),tighten with allen key (HW2).

PREPARATION

- *Before beginning assembly of product, make sure all parts are present. Compare parts with package contents list and hardware contents list.
- *If any part is missing or damaged, do not attempt to assemble the product.
- * Estimated Assembly Time : 10 minutes.
- * Tools Required for Assembly (included): Allen Key
- * If you are having difficulty, our friendly Customer care team is always here to help. Please email customersupport@safavieh.com

3



Step 3 Caution: This Table can only be used on a flat, level surface

NOTICE

*Please make sure that you have all parts indicated and they are in good condition before you begin assembly of this item. Refer to part list and hardware list below for guidance.

*This item should be assembled on a soft surface to prevent scratching the finish during assembly.

*This item may require periodic tightening.

*If you are having difficulty, our friendly Customer Care team is always here to help. Please email customersupport@safavieh.com.

PREPARATION

* Before beginning assembly of product, make sure all parts are present. Compare parts with part contents list and hardware contents list.

* If any part is missing or damaged, do not attempt to assemble the product.

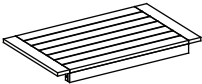
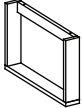


* Estimated Assembly Time: 10 minutes.

* **Tools Required for Assembly (included): Allen Key**

CARE AND MAINTENANCE

Store outdoor furniture indoors or cover well when not in use. Dust regularly with small brush or vacuum. Spills should be taken care of immediately before they harden or stain with a slightly damp sponge.

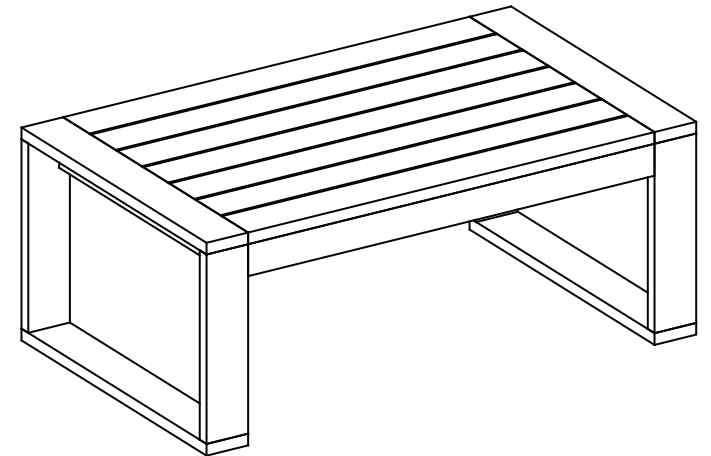
Part List and Hardware List

PIECE	DESCRIPTION	PICTURE	QUANTITY
A	Table Top		1X
B	Leg Frame		2X
HW1	Allen Bolt: M6x0.5x35 mm		4X
HW2	Allen key 4		1X

 **SAFAVIEH**
O U T D O O R

Model# PAT7308

Product Dimensions: 39.0" W x 23.2" D x 15.8" H



WARNING



Weight Capacity : 40 lbs

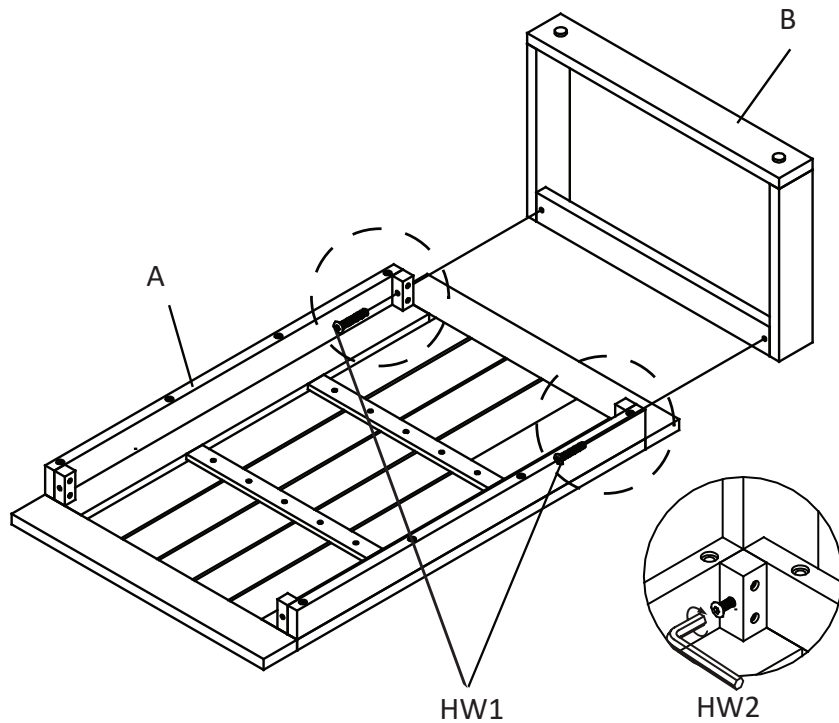
Warning : Do not stand on table

Warning : Do not over torque bolts / screws

PREPARATION

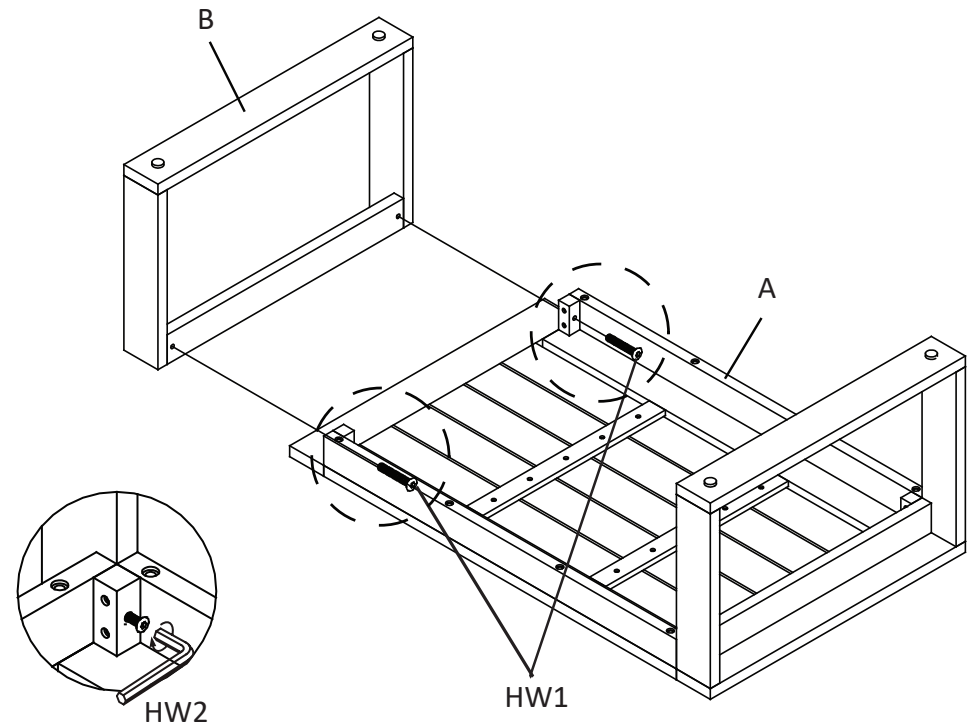
- *Before beginning assembly of product, make sure all parts are present. Compare parts with package contents list and hardware contents list.
- *If any part is missing or damaged, do not attempt to assemble the product.
- * Estimated Assembly Time : 10 minutes.
- * Tools Required for Assembly (included): Allen Key
- * If you are having difficulty, our friendly Customer care team is always here to help. Please email customersupport@safavieh.com

1



Step 1
Attach leg frame (B) to Table top (A) ,use Bolts (HW1),tighten with allen key (HW2).

2

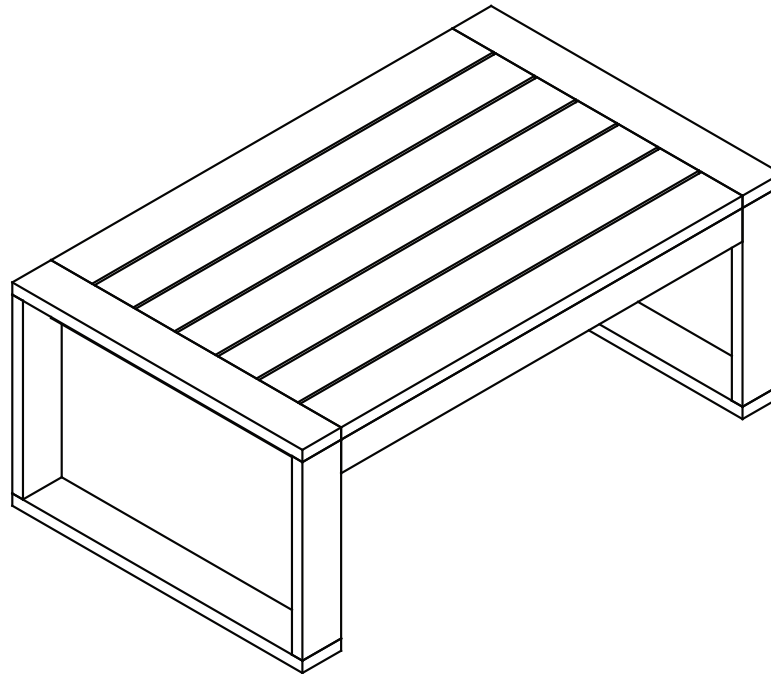


Step 2
Attach leg frame (B) to Table top (A) ,use Bolts (HW1),tighten with allen key (HW2).

PREPARATION

- *Before beginning assembly of product, make sure all parts are present. Compare parts with package contents list and hardware contents list.
- *If any part is missing or damaged, do not attempt to assemble the product.
- * Estimated Assembly Time : 10 minutes.
- * Tools Required for Assembly (included): Allen Key
- * If you are having difficulty, our friendly Customer care team is always here to help. Please email customersupport@safavieh.com

3



Step 3 Caution: This Table can only be used on a flat, level surface