

CARE AND MAINTENANCE

Store outdoor furniture indoors or cover well when not in use.

Remove wooden furniture from standing water. Dust regularly with small brush or vacuum

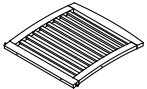

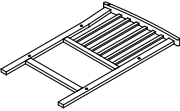
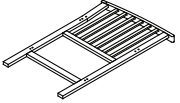

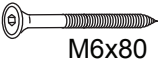

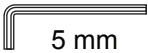
Spills should be taken care of immediately before they harden or stain with a slightly dampened sponge.

NOTICE

- * Please make sure that you have all parts indicated before you begin assembly of this item
- * This item should be assembled on a soft surface to prevent scratching the finish during assembly
- * This item may require periodic tightening

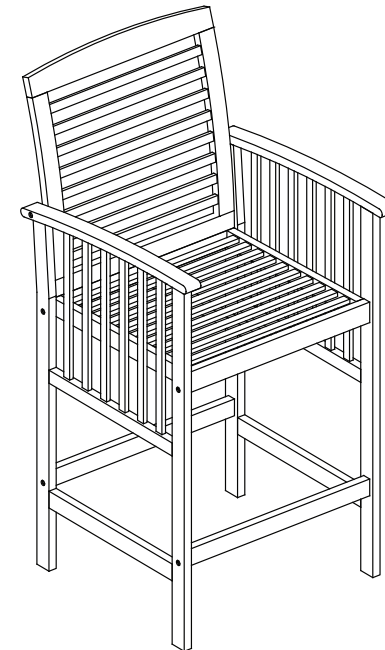
 **SAFAVIEH**
O U T D O O R

Part List and Hardware List

PIECE	DESCRIPTION	PICTURE	QUANTITY
A	Back frame		1X
B	Seat frame		1X
C	Leg frame - 1		1X
D	Leg frame - 2		1X
E	Leg support		2X
F	Screw	 M6x80	2X
G	Screw	 M6x60	10X
H	Allen key	 5 mm	1X

Model# PAT7043

Product Dimensions: 25.2" W x 26.4" D x 50" H



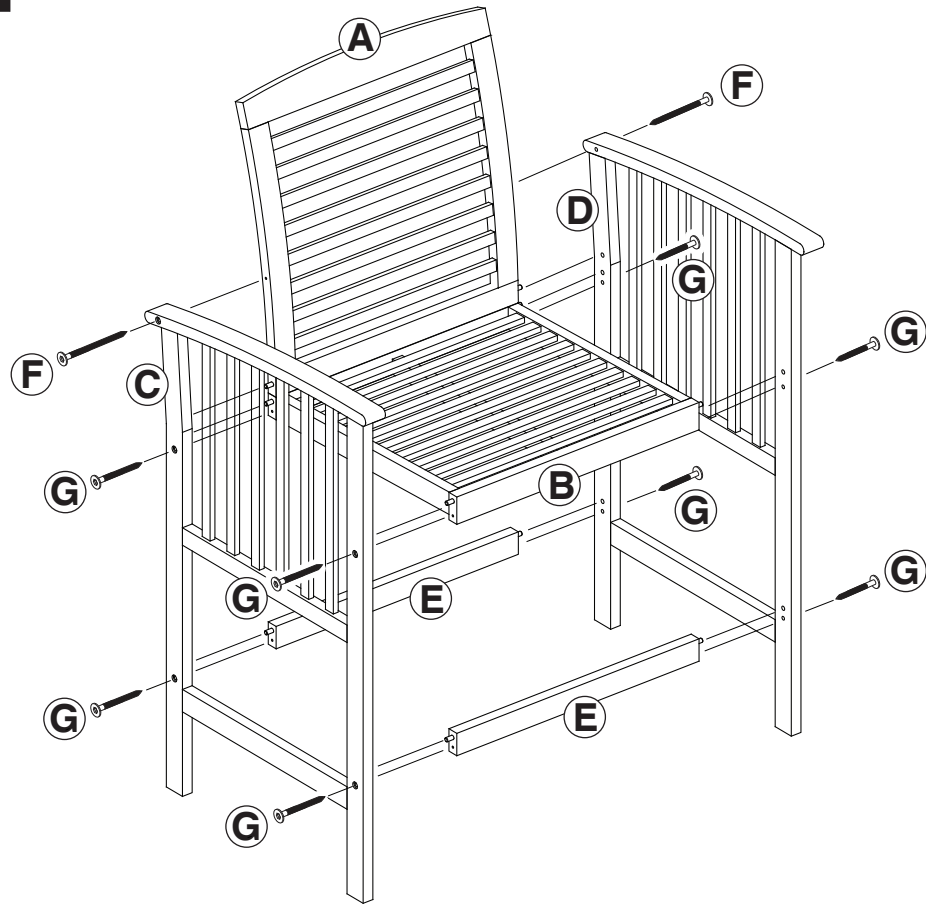
PREPARATION

Before beginning assembly of product, make sure all parts are present. Compare parts with package contents list and hardware contents list. If any part is missing or damaged, do not attempt to assemble the product.

Estimated Assembly Time: 30 minutes.

Tools Required for Assembly (included): Allen Key

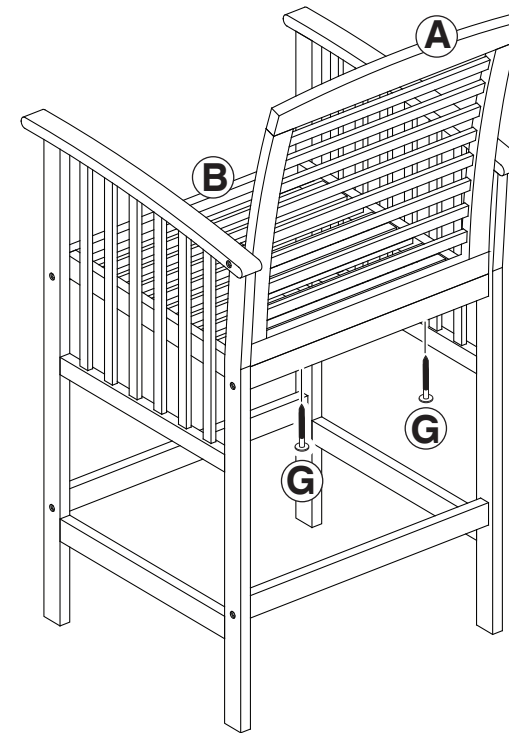
1



Step 1

Attach leg frame (C),(D) to seat frame (B), back frame(A) and Leg support (E) by using screw(G),(F), tighten with allen key(H)

2



Step 2

Attach seat frame (B) to back frame(A) by using screw(G), tighten with allen key(H)

CARE AND MAINTENANCE

Store outdoor furniture indoors or cover well when not in use.

Remove wooden furniture from standing water. Dust regularly with small brush or vacuum

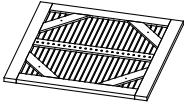
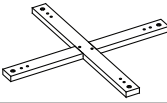
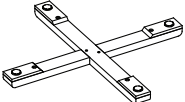
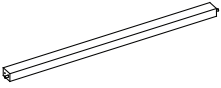
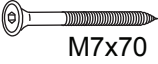

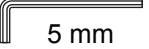
Spills should be taken care of immediately before they harden or stain with a slightly dampened sponge.

NOTICE

- * Please make sure that you have all parts indicated before you begin assembly of this item
- * This item should be assembled on a soft surface to prevent scratching the finish during assembly
- * This item may require periodic tightening

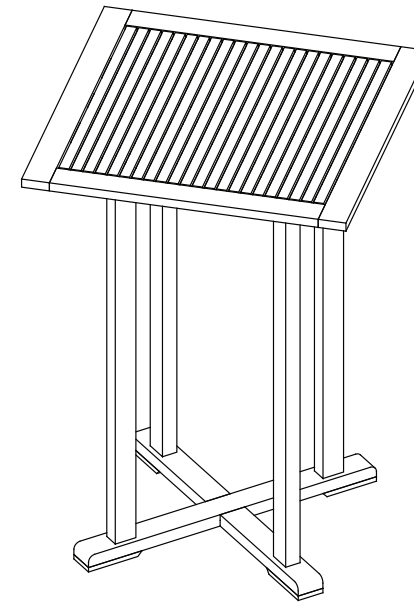
 **SAFAVIEH**
O U T D O O R

Part List and Hardware List

PIECE	DESCRIPTION	PICTURE	QUANTITY
A	Top table		1X
B	Top support frame		1X
C	Bottom frame		1X
D	Leg		4X
E	Screw	 M7x70	8X
F	Screw	 M7x30	4X
G	Allen key	 5 mm	1X

Model# PAT7043

Product Dimensions: 27.6" W x 27.6" D x 39.4" H



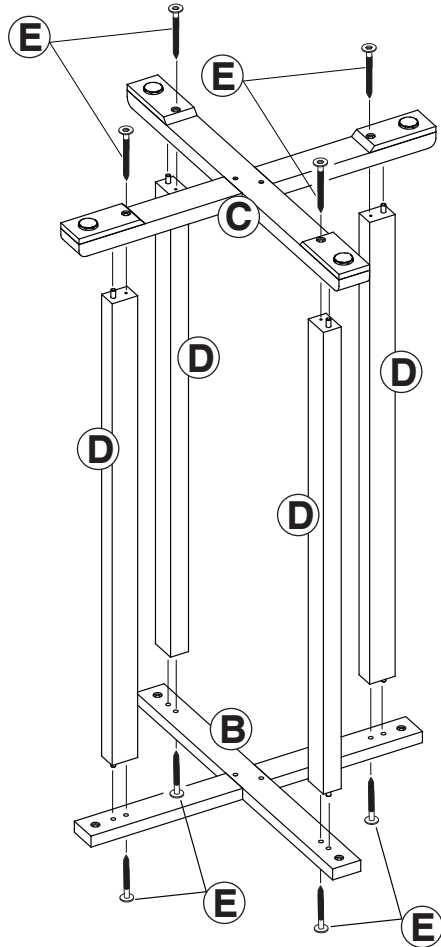
PREPARATION

Before beginning assembly of product, make sure all parts are present. Compare parts with package contents list and hardware contents list. If any part is missing or damaged, do not attempt to assemble the product.

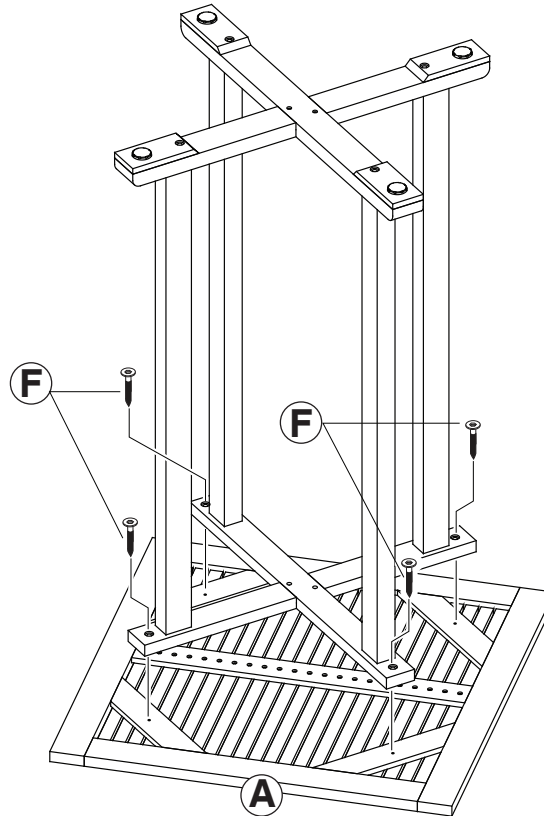
Estimated Assembly Time: 30 minutes.

Tools Required for Assembly (included): Allen Key

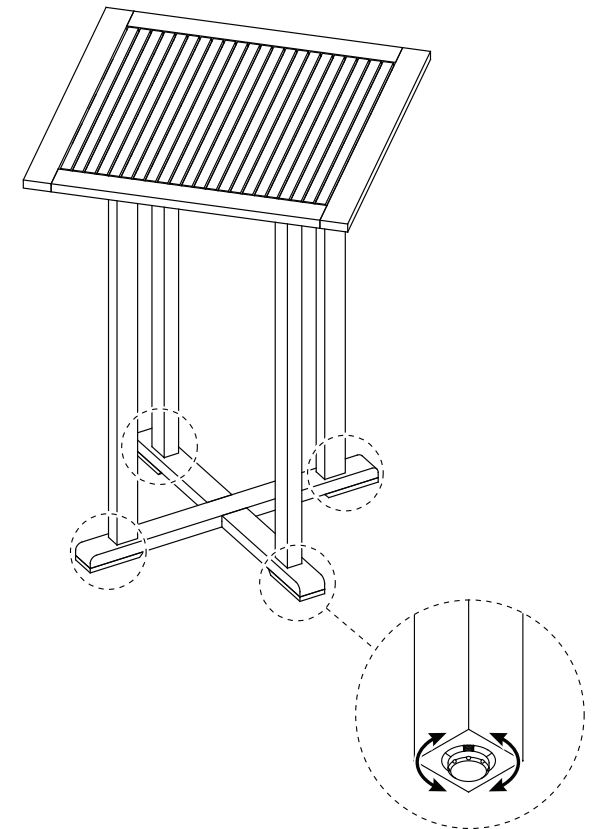
1



2



3



Step 1

Attach top support frame (B) and bottom frame (C) to leg (D), by using screw(E), tighten with allen key(G)

Step 2

Attach leg frame to top table (A), by using screw(F), tighten with allen key(G)

Step 3

Adjust the legs high or low as shown