

CARE AND MAINTENANCE

Store outdoor furniture indoors or cover well when not in use.

Remove wooden furniture from standing water. Dust regularly with small brush or vacuum

Spills should be taken care of immediately before they harden or stain with a slightly dampened sponge.

NOTICE

- * Please make sure that you have all parts indicated before you begin assembly of this item
- * This item should be assembled on a soft surface to prevent scratching the finish during assembly
- * This item may require periodic tightening



SAFAVIEH

OUTDOOR


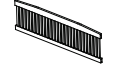
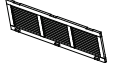
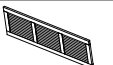

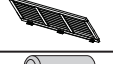





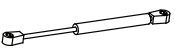

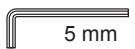
Weight Capacity : 600 Ibs

Warning : Do not stand on bench

Warning : Do not over torque bolts / screws

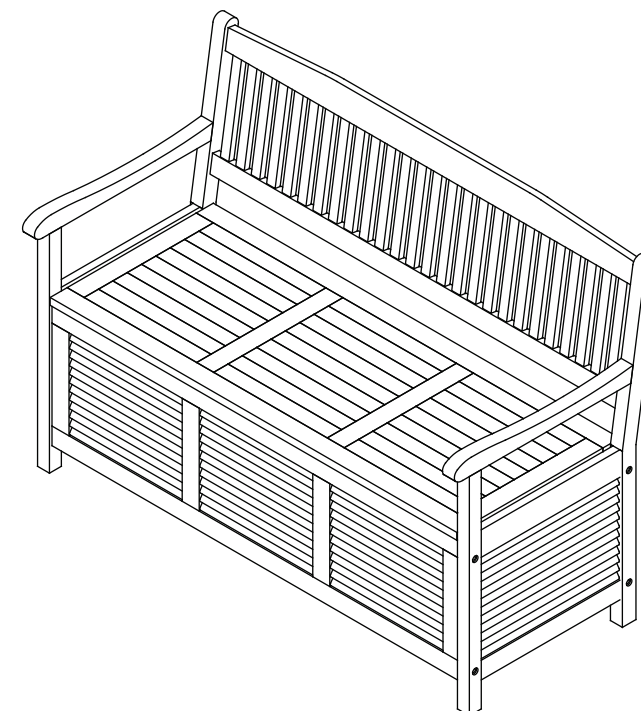


Part List and Hardware List

PIECE	DESCRIPTION	PICTURE	QUANTITY
A	Leg frame		2X
B	Title frame		1X
C	Back frame		1X
D	Front frame		1X
E	Bottom frame		1X
H1	Seat Frame		1X
H2	Wooden pegs	 M10X35	14X
H3	Screw	 M7X90	10X
H4	Screw	 M4X15	9X
H5	Hook		1X
H6	Circle hook		1X
H7	Strut		1X
H8	Screw	 M4X15	5X
H9	Allen key	 5 mm	2X

Model# PAT7017

Product Dimensions:50" W x 24" D x 35" H

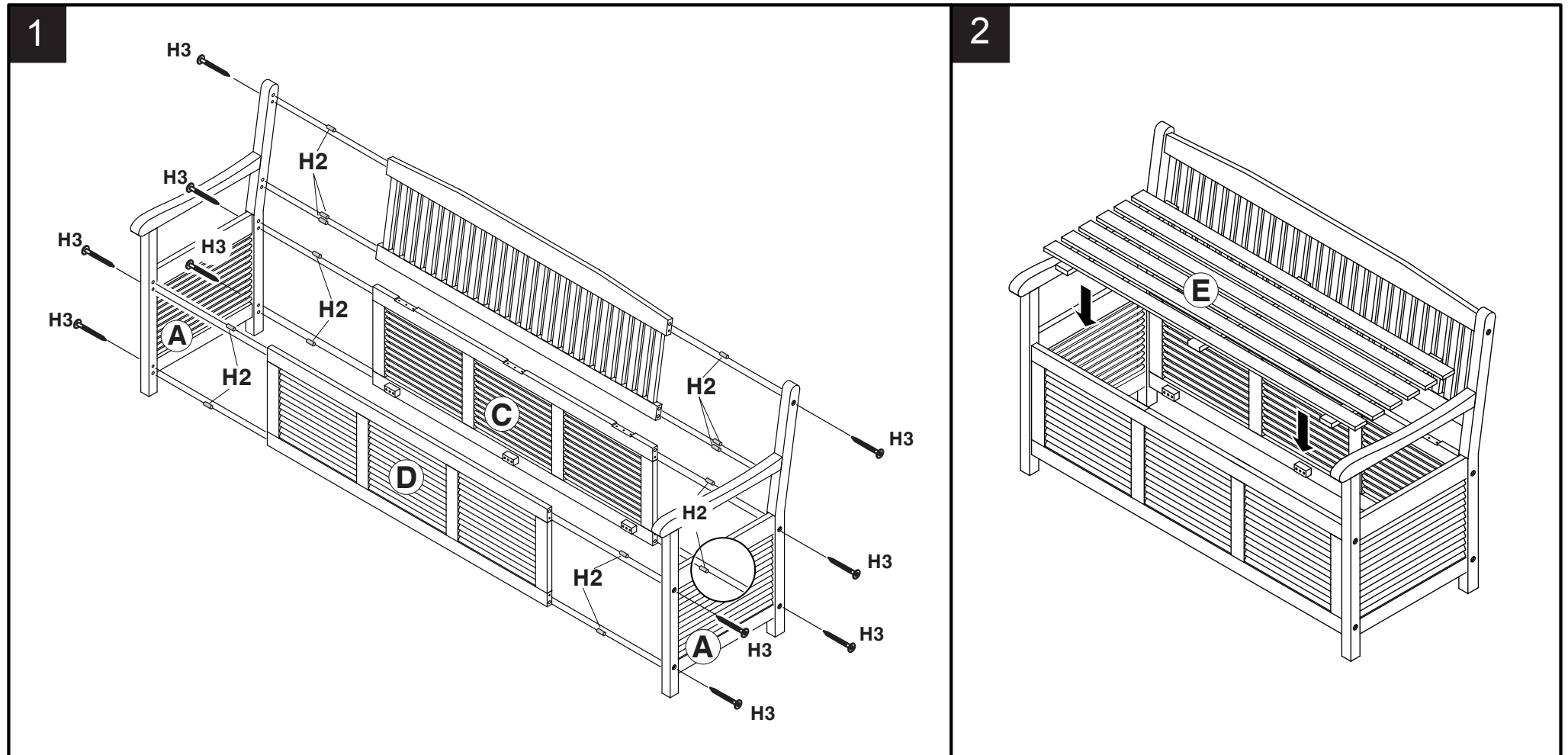


PREPARATION

Before beginning assembly of product, make sure all parts are present. Compare parts with package contents list and hardware contents list. If any part is missing or damaged, do not attempt to assemble the product.

Estimated Assembly Time: 40 minutes.

Tools Required for Assembly (included): Allen Key

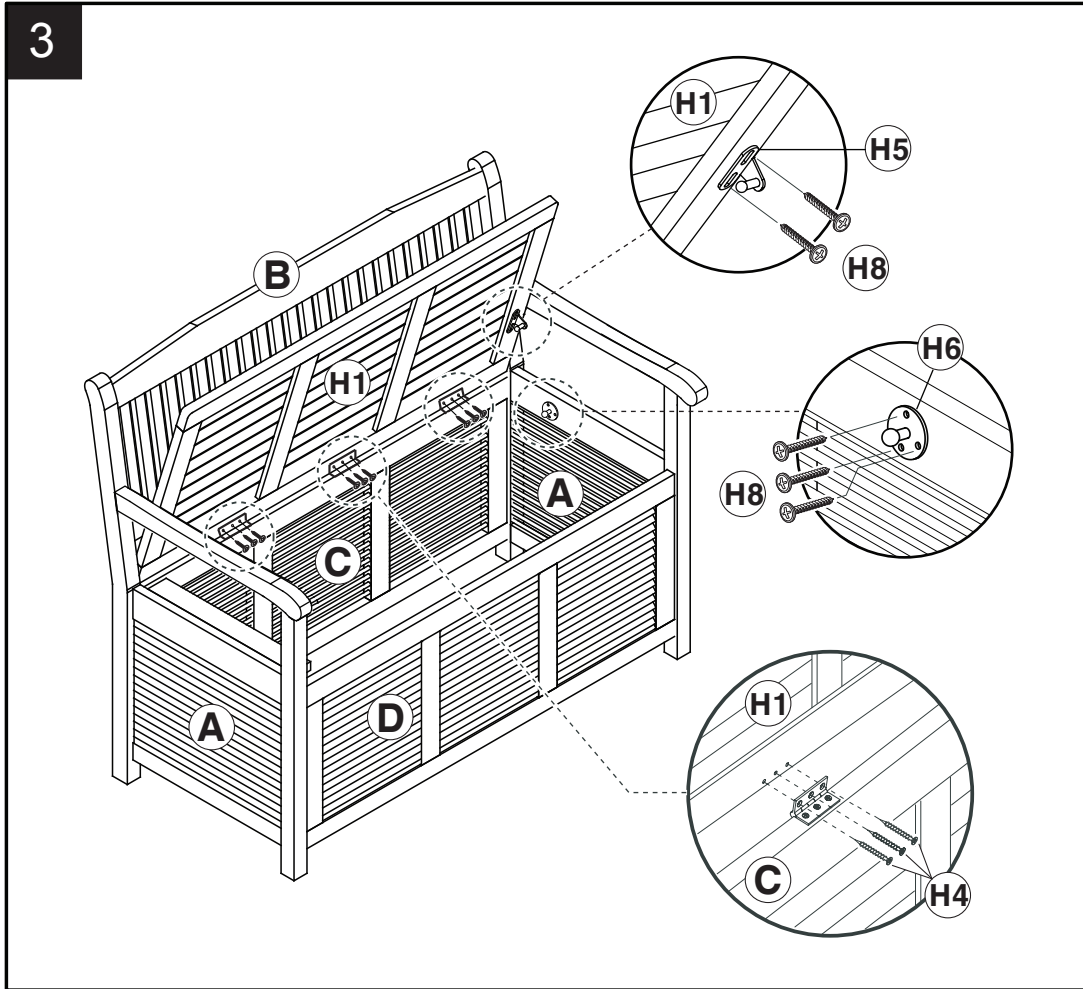


Step 1

(A) Attached with (B),(C),(D) and using (H2) attached (A),(B),(C),(D) also (H3) tighten (H9)

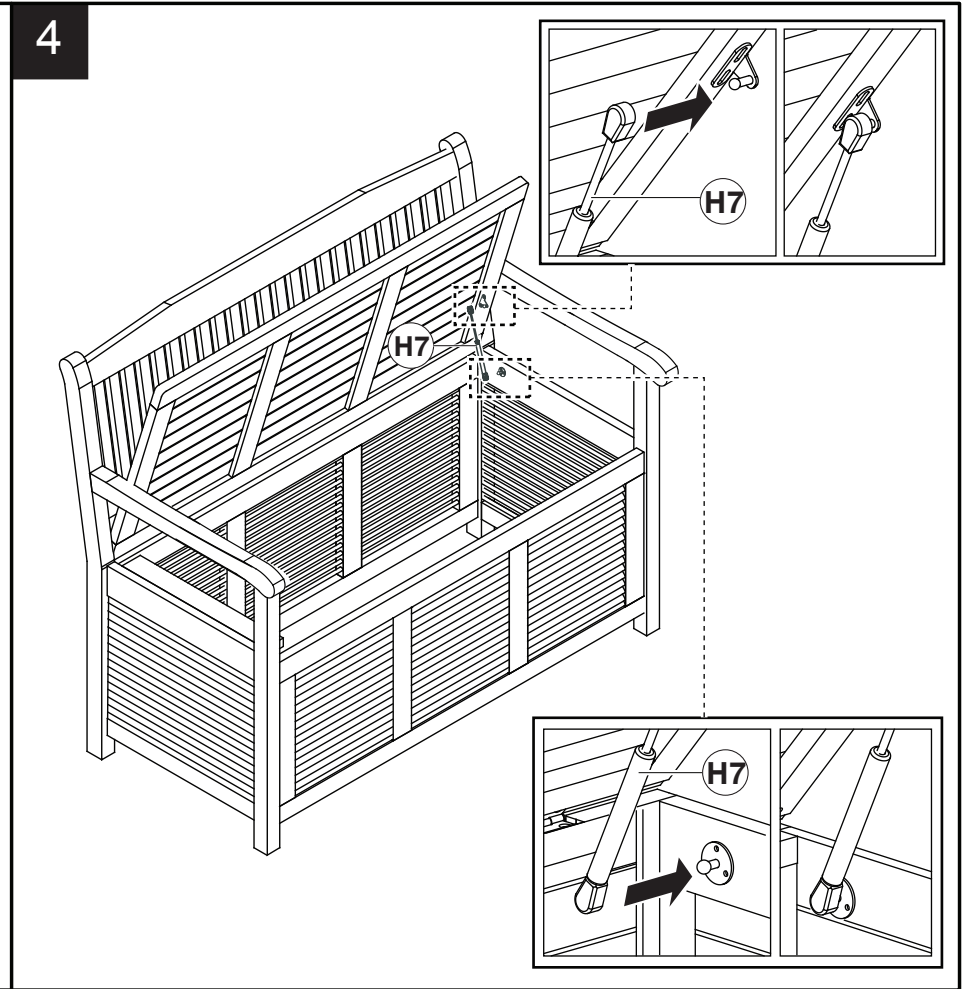
Step 2

(E) Pull down the arrow



Step 3

(H1) attached (C) tighten by (H4) ,(H5)
 attached (H1) tighten by (H8)



Step 4

Assembled (H7) with arrow