

CARE AND MAINTENANCE

Store outdoor furniture indoors or cover well when not in use.

Remove wooden furniture from standing water. Dust regularly with small brush or vacuum





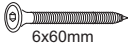
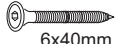

Spills should be taken care of immediately before they harden or stain with a slightly dampened sponge.

NOTICE

- * Please make sure that you have all parts indicated before you begin assembly of this item
- * This item should be assembled on a soft surface to prevent scratching the finish during assembly
- * This item may require periodic tightening

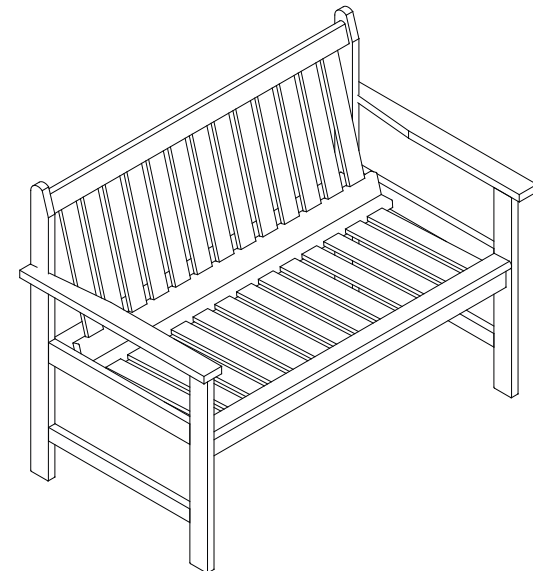


Part List and Hardware List

PIECE	DESCRIPTION	PICTURE	QUANTITY
A	Seat Frame		2X
B	Leg Frame		1X
C	Back frame		1X
D	Cross bar of leg		2X
E	Screw -1	 6x60mm	8X
H1	Screw -1	 6x40mm	3X
H2	Allen key		1X

Model# PAT7006

Product Dimensions:44.29" W x24.80 " D x 33.46" H



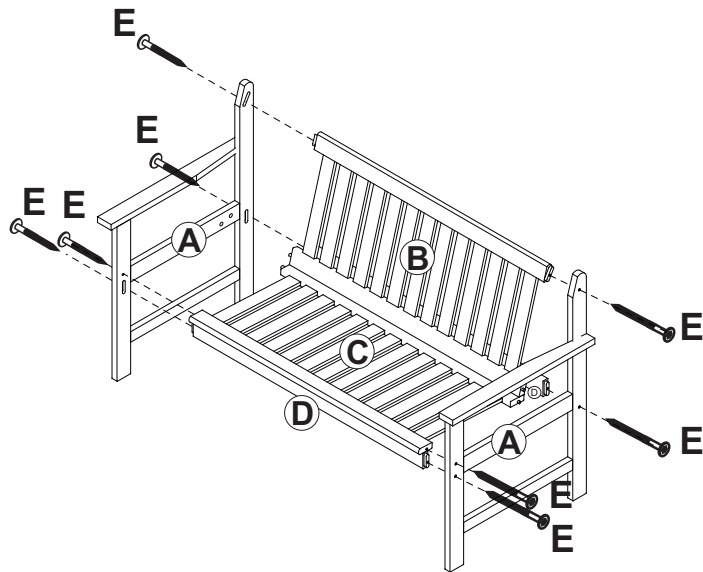
PREPARATION

Before beginning assembly of product, make sure all parts are present. Compare parts with package contents list and hardware contents list. If any part is missing or damaged, do not attempt to assemble the product.

Estimated Assembly Time: 10 minutes.

Tools Required for Assembly (included): Allen Key

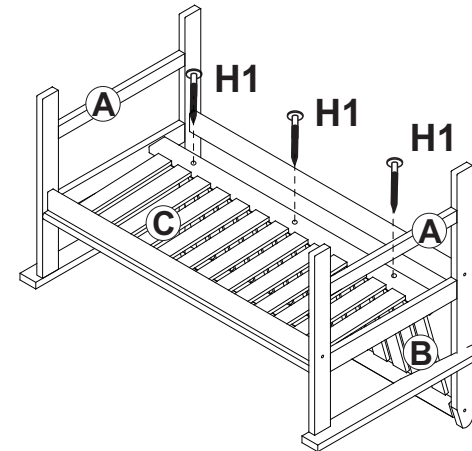
1



Step 1

Use screws-1 (E) to attach leg frames(A) to back frame (B) & seat frame (C),tighten with allen key (H2).

2



Step 2

Use screw -1 (H1) to connect back frame (B) and seat frame (C),tighten(H1) by allen key (H2) screws.

CARE AND MAINTENANCE

Store outdoor furniture indoors or cover well when not in use.

Remove wooden furniture from standing water. Dust regularly with small brush or vacuum





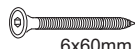
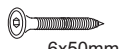

Spills should be taken care of immediately before they harden or stain with a slightly dampened sponge.

NOTICE

- * Please make sure that you have all parts indicated before you begin assembly of this item
- * This item should be assembled on a soft surface to prevent scratching the finish during assembly
- * This item may require periodic tightening

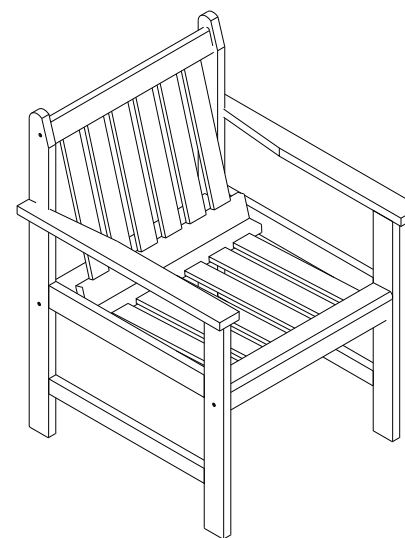


Part List and Hardware List

PIECE	DESCRIPTION	PICTURE	QUANTITY
A	Seat Frame		2X
B	Leg Frame		1X
C	Back frame		1X
D	Cross bar of leg		2X
E	Screw -1	 6x60mm	8X
H1	Screw -1	 6x50mm	2X
H2	Allen key		1X

Model# PAT7006

Product Dimensions:24.21" W x 24.80" D x 33.46" H



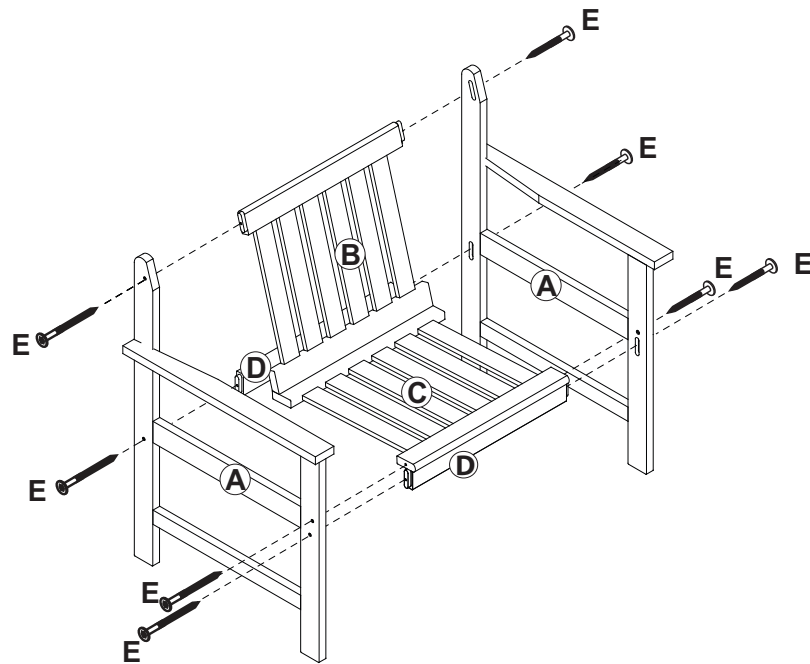
PREPARATION

Before beginning assembly of product, make sure all parts are present. Compare parts with package contents list and hardware contents list. If any part is missing or damaged, do not attempt to assemble the product.

Estimated Assembly Time: 10 minutes.

Tools Required for Assembly (included): Allen Key

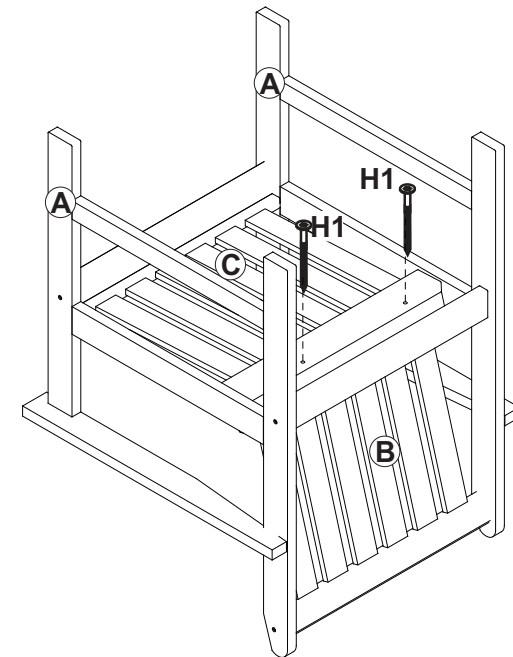
1



Step 1

Use screws-1 (E) to attach leg frames(A) to back frame (B) & seat frame (C),tighten with allen key (H2).

2



Step 2

Use screw -1 (H1) to connect back frame (B) and seat frame (C),tighten(H1) by allen key (H2) screws.

CARE AND MAINTENANCE

Store outdoor furniture indoors or cover well when not in use.

Remove wooden furniture from standing water. Dust regularly with small brush or vacuum


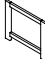

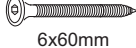

Spills should be taken care of immediately before they harden or stain with a slightly dampened sponge.

NOTICE

- * Please make sure that you have all parts indicated before you begin assembly of this item
- * This item should be assembled on a soft surface to prevent scratching the finish during assembly
- * This item may require periodic tightening

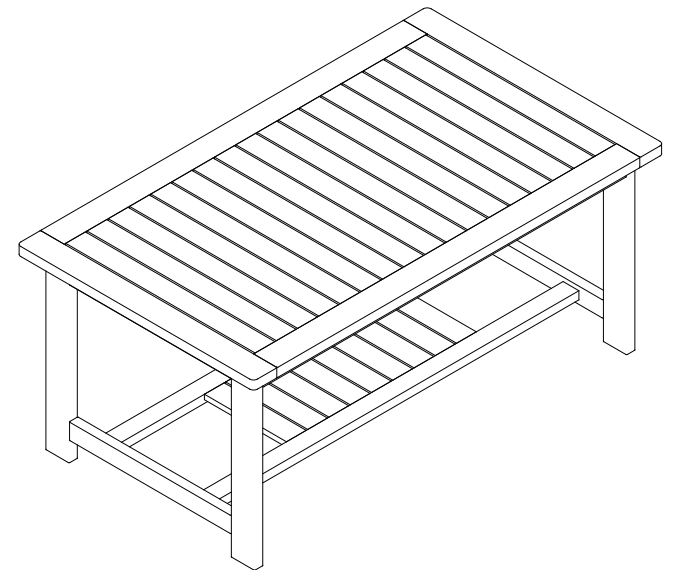


Part List and Hardware List

PIECE	DESCRIPTION	PICTURE	QUANTITY
A	Top Frame table		1X
B	Leg		2X
C	Frame Cross bar		1X
D	Screw	 6x60mm	8X
E	Allen key		1X

Model# PAT7006

Product Dimensions: 23.62" W x 40.94" D x 17.72" H



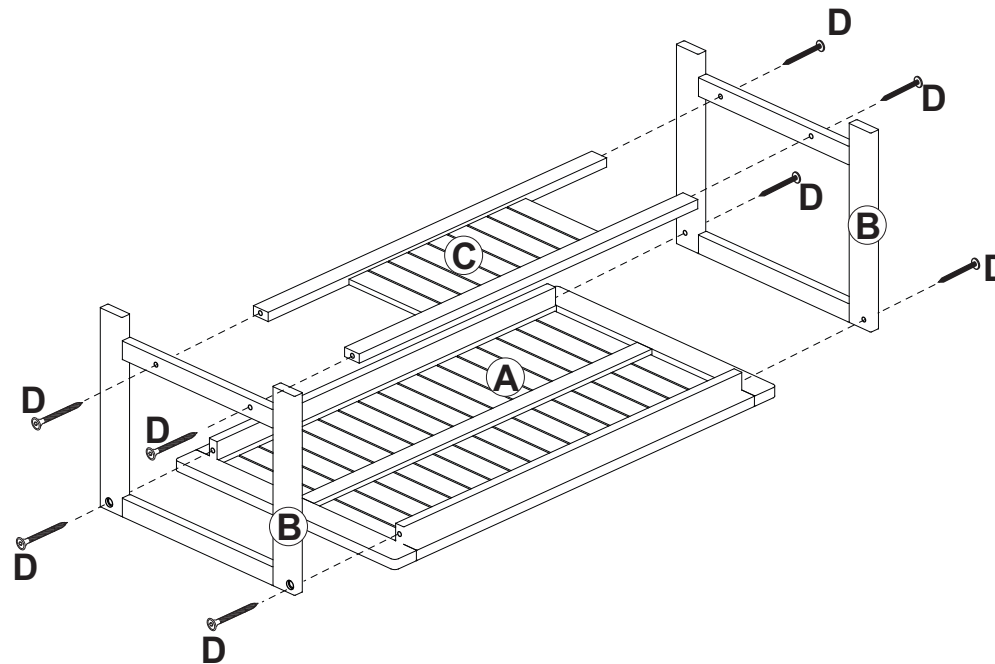
PREPARATION

Before beginning assembly of product, make sure all parts are present. Compare parts with package contents list and hardware contents list. If any part is missing or damaged, do not attempt to assemble the product.

Estimated Assembly Time: 10 minutes.

Tools Required for Assembly (included): Allen Key

1



Step 1

Use screws (D) to connect leg frames (B) with top frame table (A) and frame cross bar (C), tighten with allen key (E).