

## CARE AND MAINTENANCE

Store outdoor furniture indoors or cover well when not in use.

Remove wooden furniture from standing water. Dust regularly with small brush or vacuum

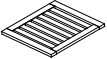




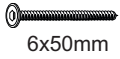
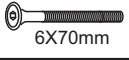
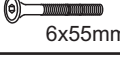

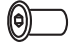


Spills should be taken care of immediately before they harden or stain with a slightly dampened sponge.

## NOTICE

- \* Please make sure that you have all parts indicated before you begin assembly of this item
- \* This item should be assembled on a soft surface to prevent scratching the finish during assembly
- \* This item may require periodic tightening

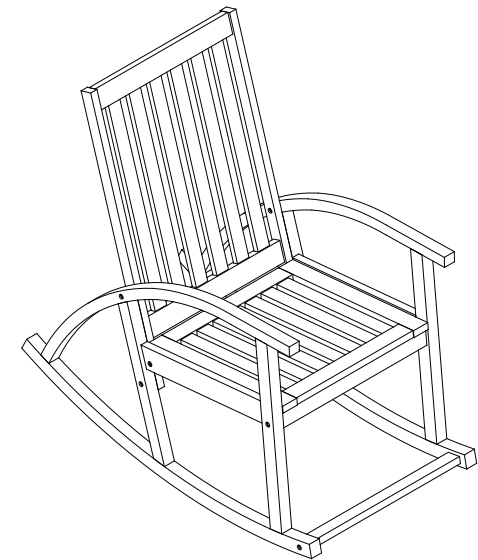
**SAFAVIEH**  
O U T D O O R

## Part List and Hardware List

| PIECE | DESCRIPTION       | PICTURE   | QUANTITY |
|-------|-------------------|---|----------|
| A     | Seat Frame        |              | 1X       |
| B     | Leg Frame         |              | 2X       |
| C     | Back frame        |              | 1X       |
| D     | Cross bar of leg  |              | 2X       |
| E     | Cross bar of leg  |             | 1X       |
| H1    | Screw -1          | <br>6x50mm | 4X       |
| H2    | Allen bolt L      | <br>6X70mm | 4X       |
| H3    | Allen bolt L      | <br>6x55mm | 7X       |
| H4    | Horizontal spread |            | 6X       |
| H5    | Allen tandu L     |            | 4X       |
| H6    | Wood dow          |            | 2X       |
| H7    | Allen key         |            | 2X       |

Model# PAT7003

Product Dimensions:22.83" W x 39.37" D x 40.55" H



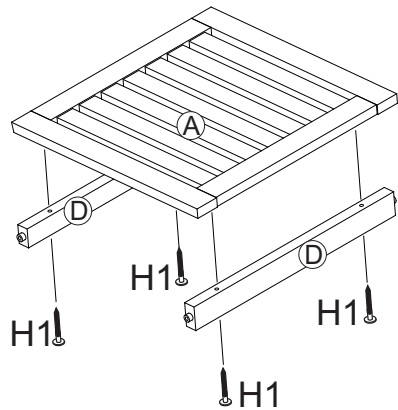
## PREPARATION

Before beginning assembly of product, make sure all parts are present. Compare parts with package contents list and hardware contents list. If any part is missing or damaged, do not attempt to assemble the product.

Estimated Assembly Time: 10 minutes.

Tools Required for Assembly (included): Allen Key

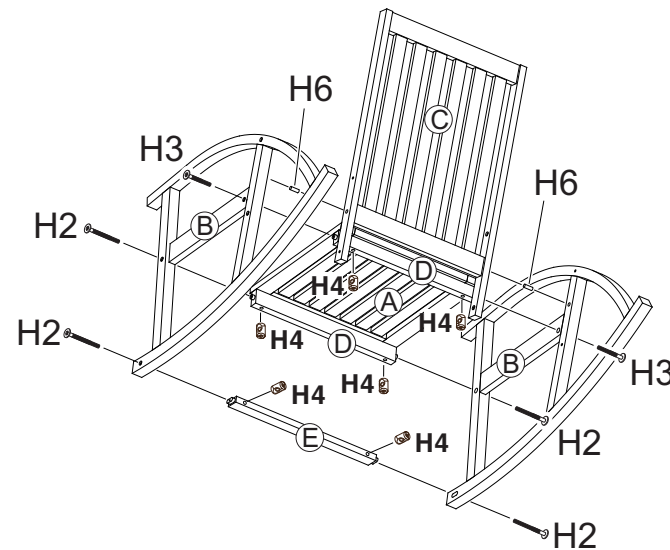
1



### Step 1

Attach seat frame (A) to crossbars of leg (D), use screws-1 (H1) and tighten with allen key(H7)

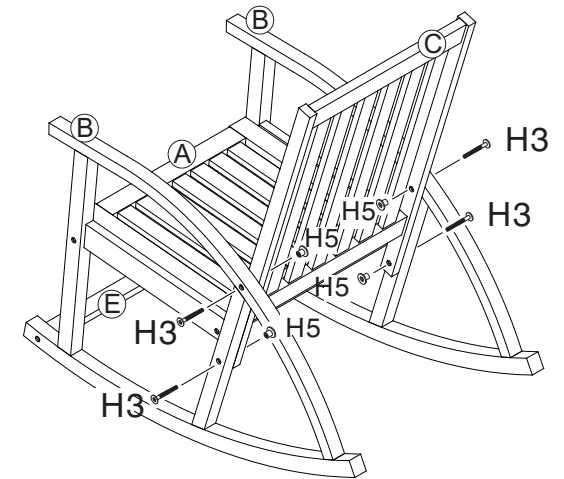
2



### Step 2

Insert wood dowels (H6) into the holes on (C), attach (B) to (A) by using (H3), then use (H2) to connect (B) and (E).

3



### Step 3

Use allen bolts (H3) and allen washers (H5) to connect (C) and (B)