

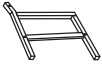


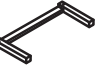



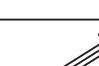


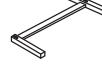
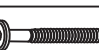

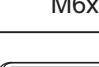


CARE AND MAINTENANCE

Store outdoor furniture indoors or cover well when it is not in use. Dust regularly with small brush or vacuum. Spills should be taken care of immediately before they harden or stain with a slightly dampened sponge.

NOTICE

Please make sure that you have all parts indicated before you begin assembly of this item.

Part List and Hardware List

PIECE	DESCRIPTION	PICTURE	QUANTITY	PIECE	DESCRIPTION	PICTURE	QUANTITY
A	Right arm side		1x	J	Foot top		2x
B	Right side		1x	K	Foot leg		4x
C	Right seat		1x	L	Table top		1x
D	Left arm side		1x	M	Table leg		4x
E	Left side		1x	H1	Allen bolt M6x70		20x
F	Left seat		1x	H2	Extra bolt M6x50		1x
G	Top back		2x	H3	Allen key		1x
I	Support back		2x	H4	Wrench		1x

 **SAFAVIEH**
OUTDOOR LIVING

MODEL# PAT6759

Corner chair dimension: 27.17"W x 29.33"D x 26.77"H

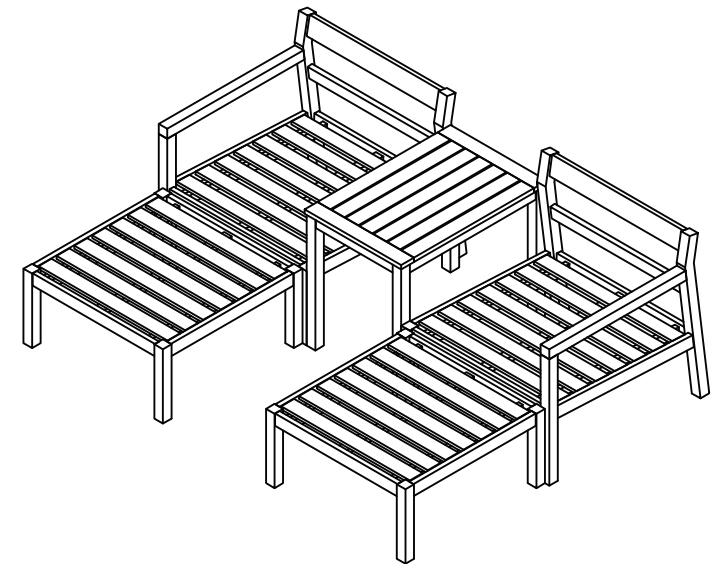
Footrest dimension : 25.59"W x 25.59"D x 11.81"H

Table dimension : 26.77"W x 17.72"D x 21.65"H

Weight capacity : 300 lbs

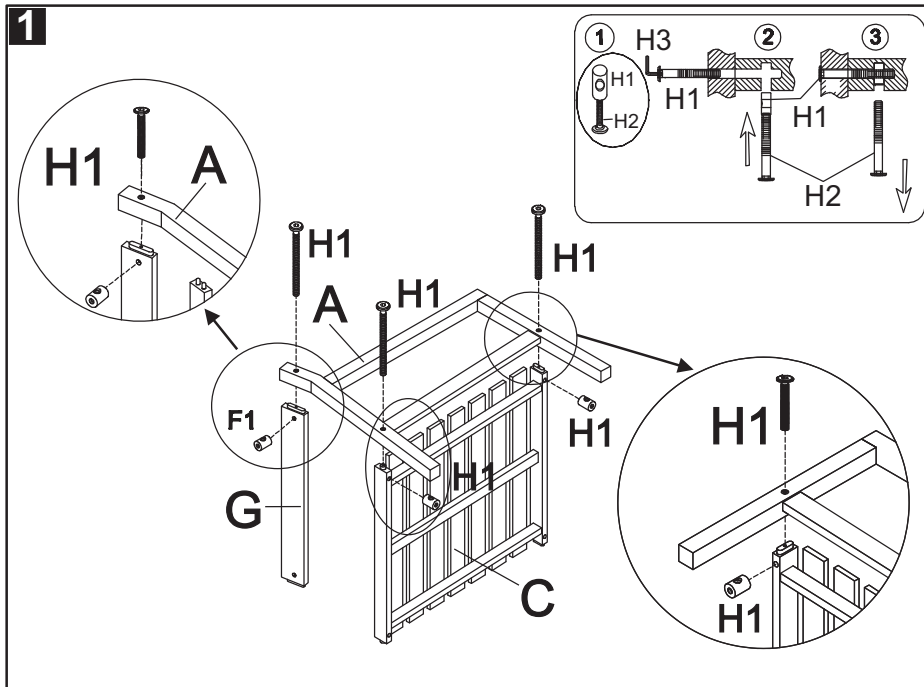
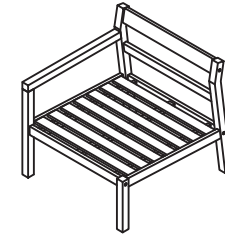
Warning : Do not stand on the chair

Warning : Do not torque bolts / screws

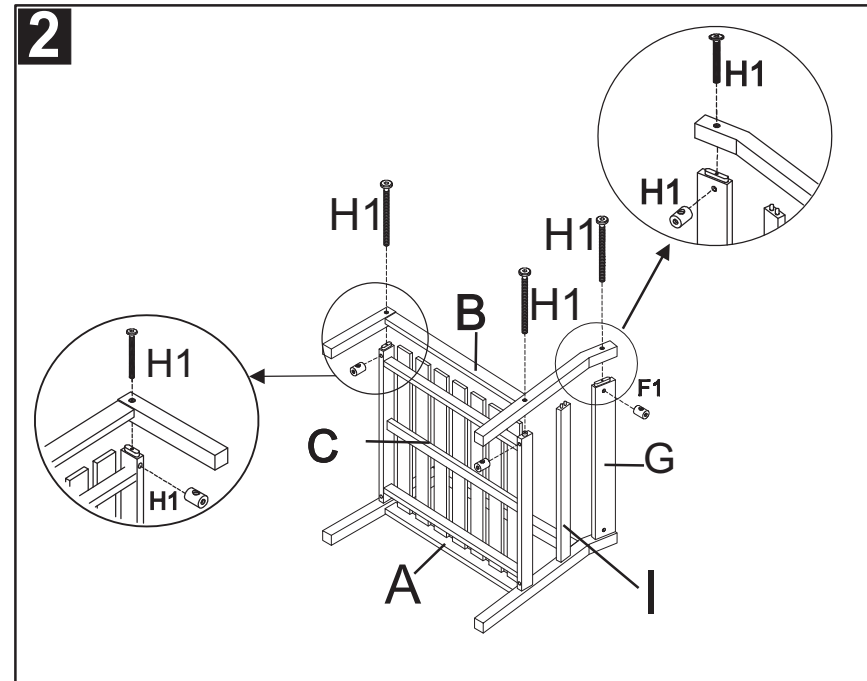


PREPARATION

Before beginning the assembly of the product, make sure all parts are present. Compare the parts with the package contents list and hardware contents list. If any parts are missing or damaged, do not attempt to assemble the product. Tool required for assembly (included): Allen Key and Wrench.



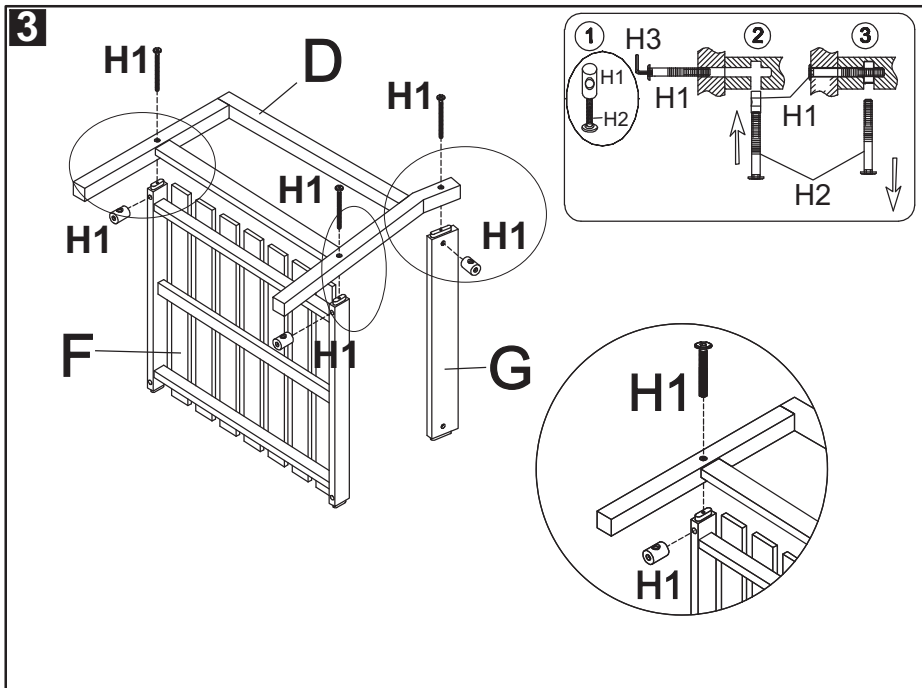
Step 1: attach the Right arm side (A) to the Right seat (C) ,Top back (G) as shown the picture.Using the Allen nut (H1) to tighten all with the Allen key (H3) and the Extra bolt (H2) as shown on the picture. Make sure to tighten all the Allen nut (H1) before continue to step 2.



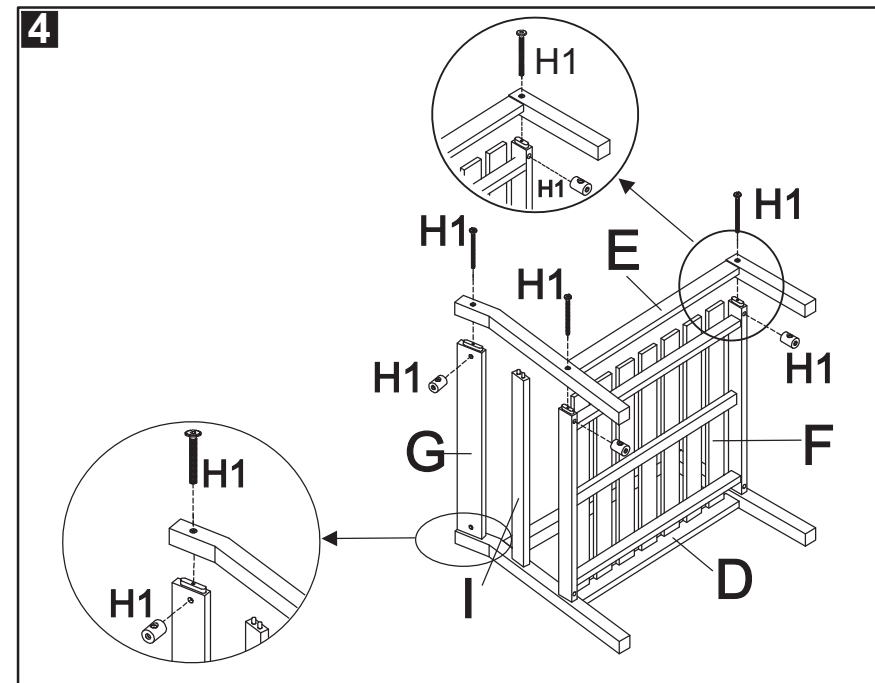
Step 2: Put the Support back (I) to the Right arm side (A) then attach the Right side (B) to the Right seat (C) ,Top back (G) and the Support back (I) as shown on the picture . Using the Allen nut (H1) and tighten with the Allen key (H3) and the Extra bolt (H2) .

PREPARATION

Before beginning the assembly of the product, make sure all parts are present. Compare the parts with the package contents list and hardware contents list. If any parts are missing or damaged, do not attempt to assemble the product. Tool required for assembly (included): Allen Key and wrench.



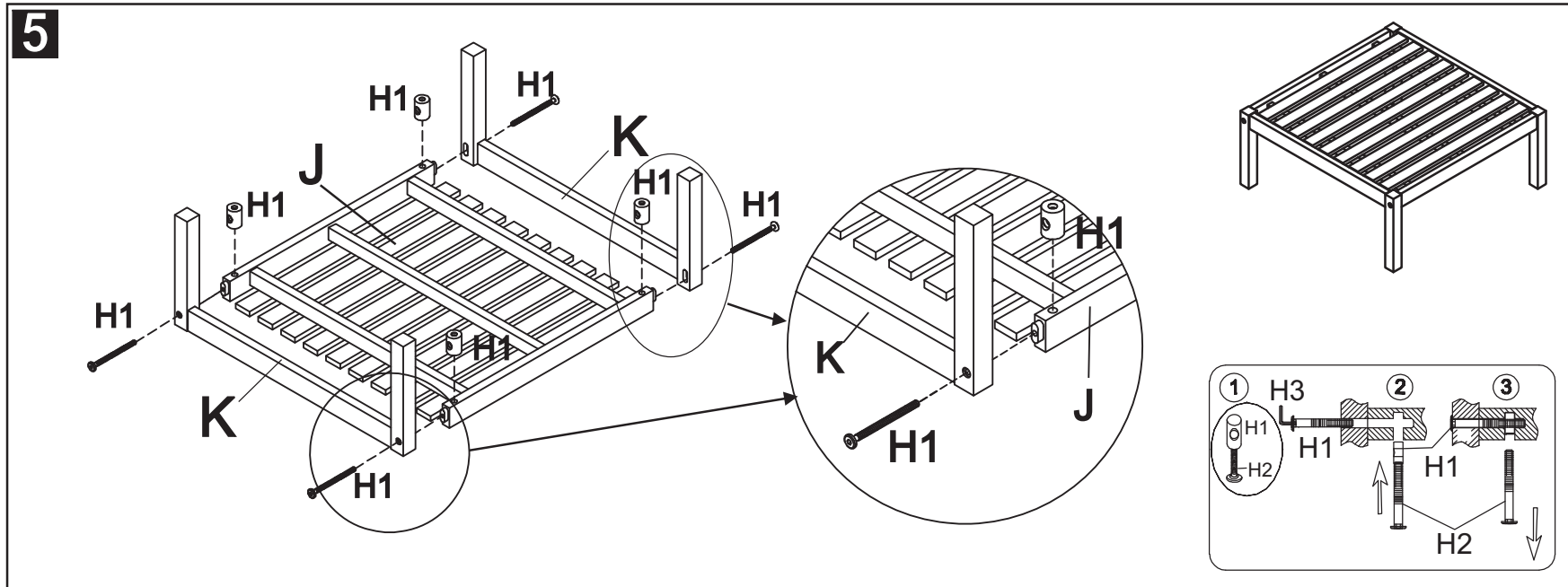
Step 3: attach the Left arm side (D) to the Left seat (F) ,Top back (G) as shown the picture.Using the Allen nut (H1) to tighten all with the Allen key (H3) and the Extra bolt (H2) as shown on the picture. Make sure to tighten all the Allen nut (H1) before continue to step 2.



Step 2: Put the Support back (I) to the Left arm side (D) then attach the Left side (E) to the Left seat (F) ,Top back (G) and the Support back (I) as shown on the picture . Using the Allen nut (H1) and tighten with the Allen key (H3) and the Extra bolt (H2) .

PREPARATION

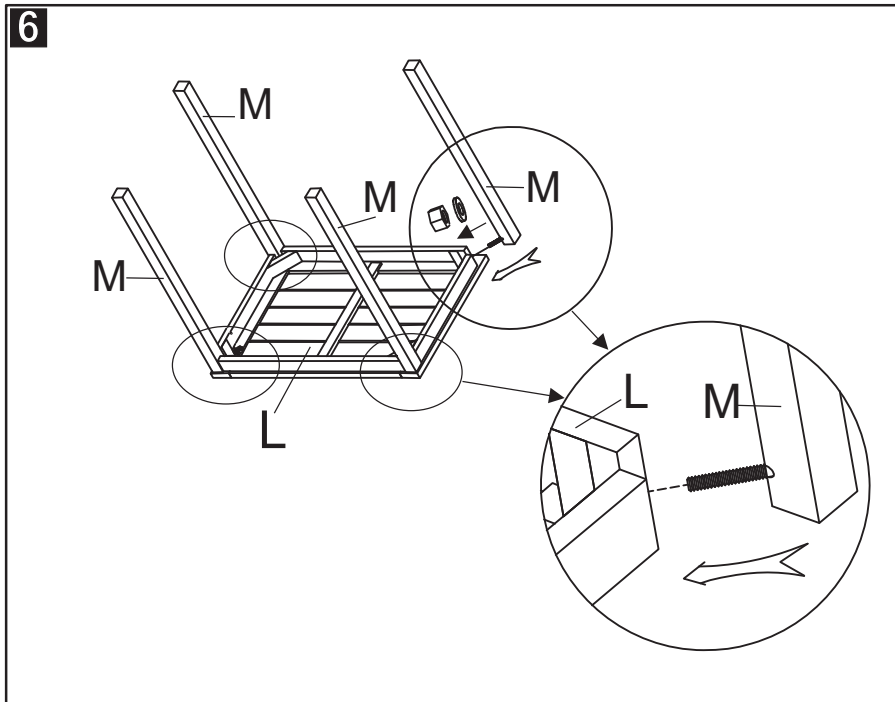
Before beginning the assembly of the product, make sure all parts are present. Compare the parts with the package contents list and hardware contents list. If any parts are missing or damaged, do not attempt to assemble the product. Tool required for assembly (included): Allen Key and wrench.



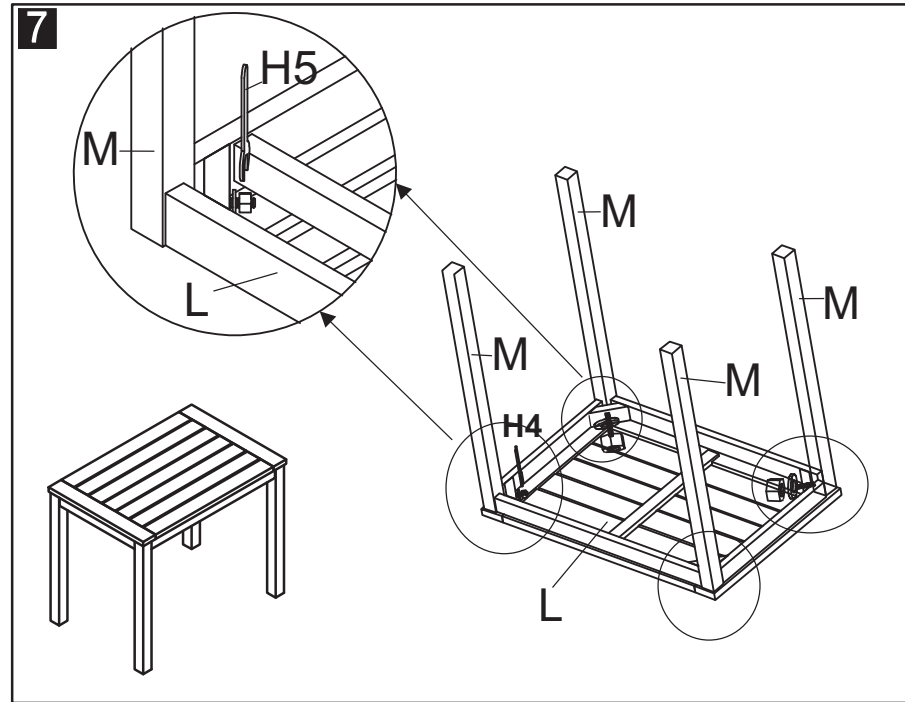
Step 5: attach the Foot legs (K) to the Foot top (J) by using the Allen nut (H1) and tighten it by using the Allen key (H3) and the extra bolt (H2) as shown on the picture.

PREPARATION

Before beginning the assembly of the product, make sure all parts are present. Compare the parts with the package contents list and hardware contents list. If any parts are missing or damaged, do not attempt to assemble the product. Tool required for assembly (included): Allen Key and wrench.



Step 6: attach 4 legs (M) to the Table top (L) as shown on the picture by remove nut and washer from the leg.



Step 7: Use the wrench (H4) to tighten all 4 legs as shown on the picture.