


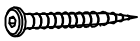

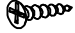

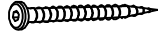

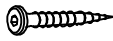
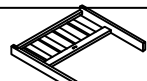


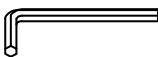


## CARE AND MAINTENANCE

Store outdoor furniture indoors or cover well when it is not in use. Dust regularly with small brush or vacuum. Spills should be taken care of immediately before they harden or stain with a slightly dampened sponge.

Please make sure that you have all parts indicated before you begin assembly of this item.

### Part List and Hardware List

PIECE	DESCRIPTION	PICTURE	QUANTITY	PIECE	DESCRIPTION	PICTURE	QUANTITY
A	Back		2x	H1	Allen nut	 M6x90	8x
B	Seat		2x	H2	Allen screw	 M6x60	8x
C	Left side		2x	H3	Screw	 M4x15	4x
D	Right side		2x	H4	Allen screw L	 M6x90	4x
E	Table top		1x	H5	Allen screw S	 M6x40	2x
F	Table leg		2x	H6	Extra bolt	 M6x50	1x
G	Support bar		1x	H7	Allen key		1x

 **SAFAVIEH**  
OUTDOOR LIVING

MODEL# PAT6749

Product Dimension:

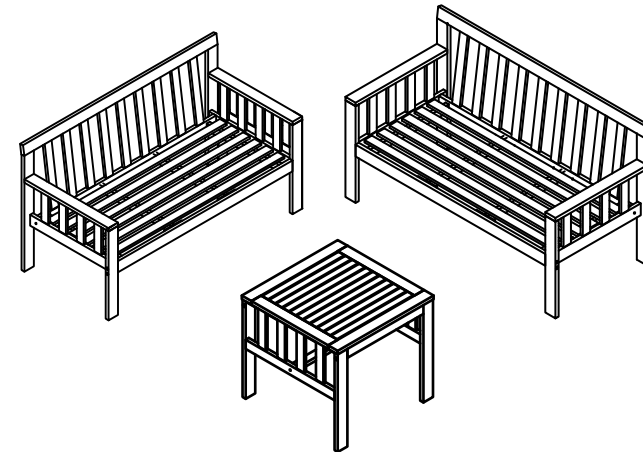
Bench : 52.36"W x 24.02"D x 29.53"H

Table : 23.62"W x 23.62"D x 21.65"H

Weight capacity bench : 600 lbs , Table : 40 lbs.

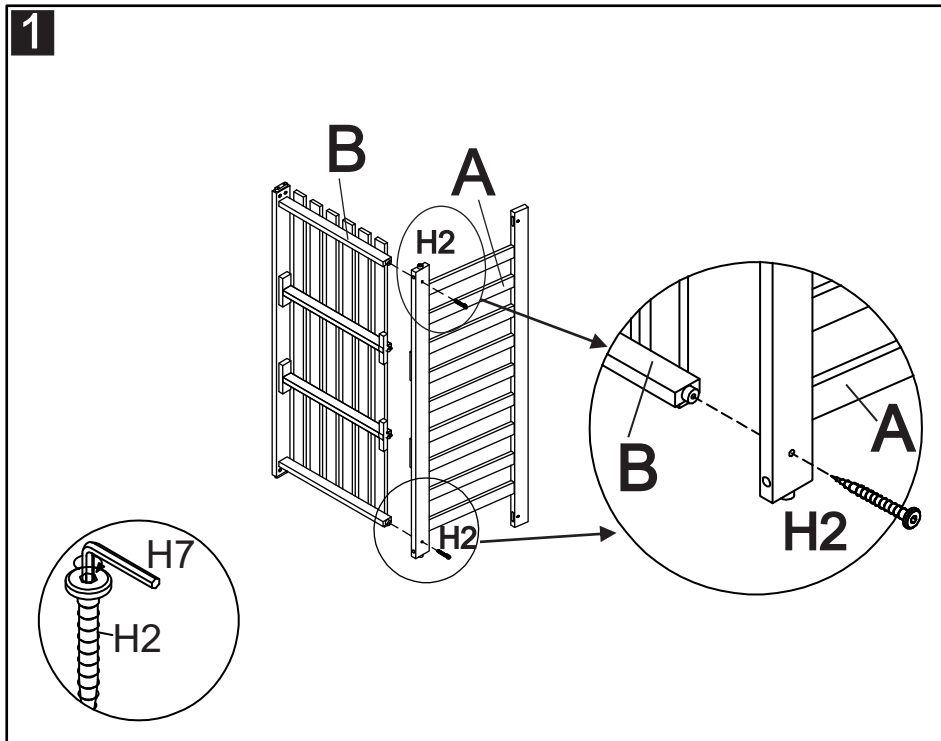
Warning : Do not stand on the bench or table

Warning : Do not torque bolts / screws

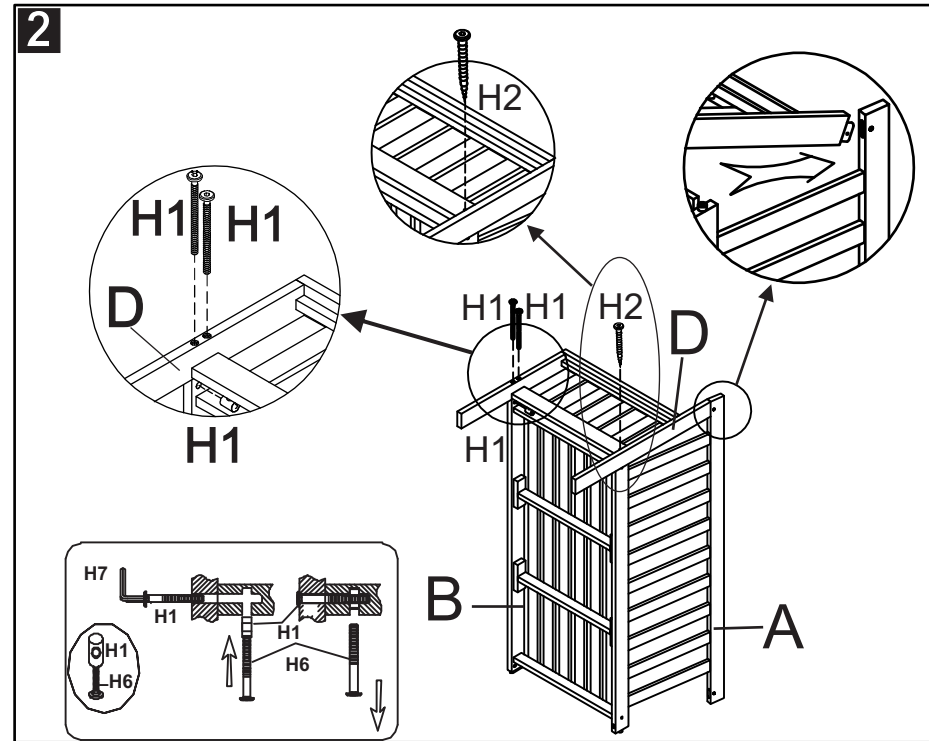


# PREPARATION

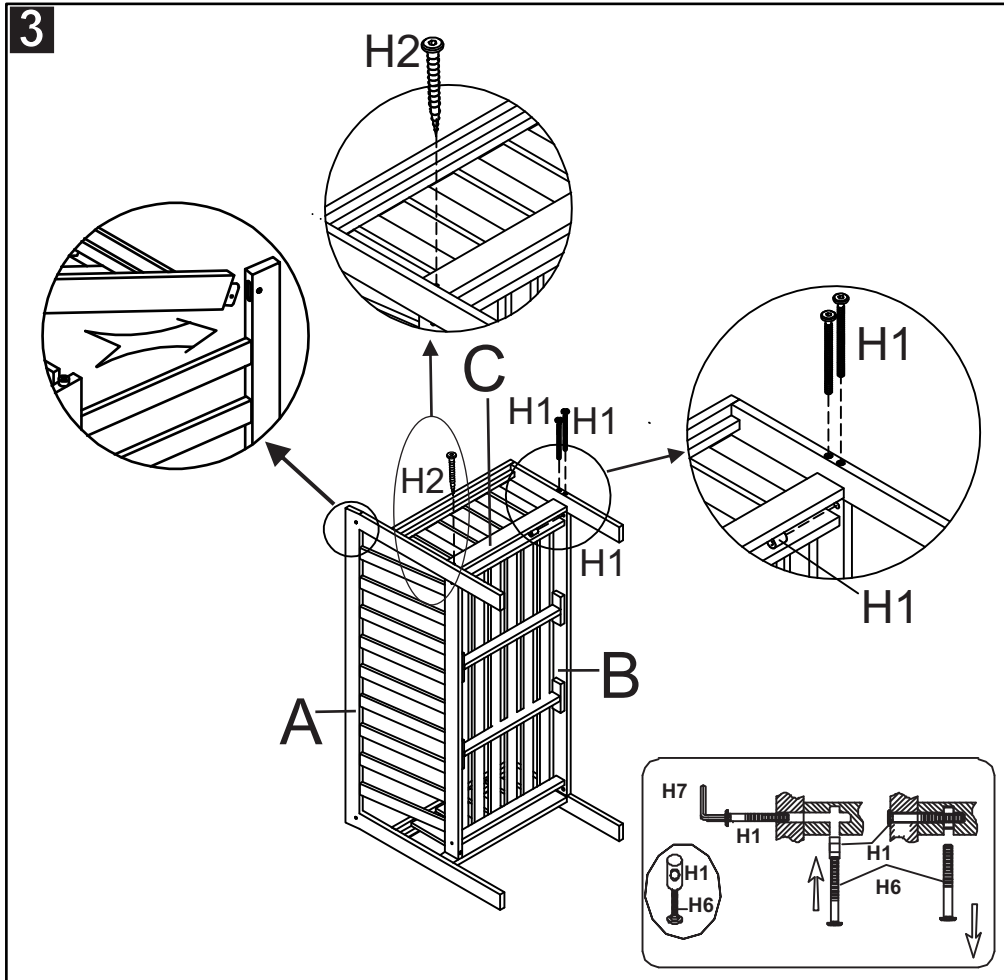
Before beginning the assembly of the product, make sure all parts are present. Compare the parts with the package contents list and hardware contents list. If any parts are missing or damaged, do not attempt to assemble the product. Tool required for assembly (included): Allen Key.



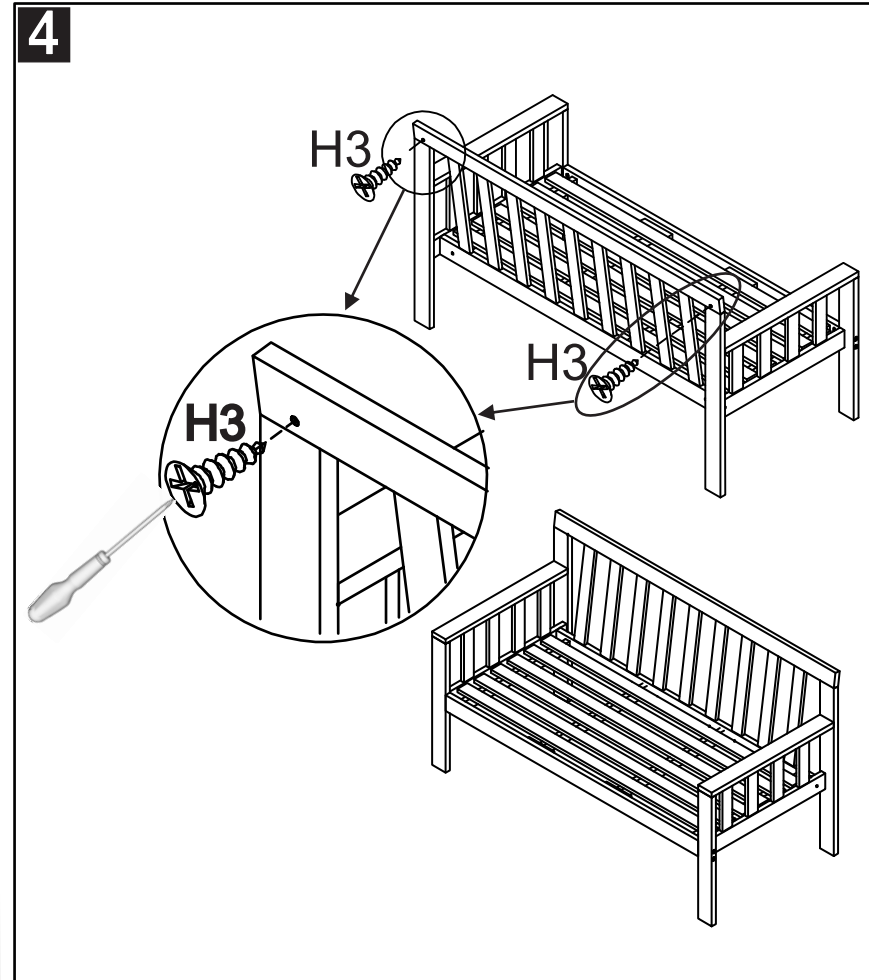
Step 1: attach the Back(A) to the Seat (B) as shown on the the picture. Use the Allen screw (H2) tighten by using the Allen key (H7) as shown on the picture.



Step 2: attach the Left side (D) to the Seat (B) and the Back (A) as shown on the picture. Using the Allen nut (H1) and Allen screw (H2) tighten by the Allen key (H7) and Extra bolt (H6) as shown on the picture.



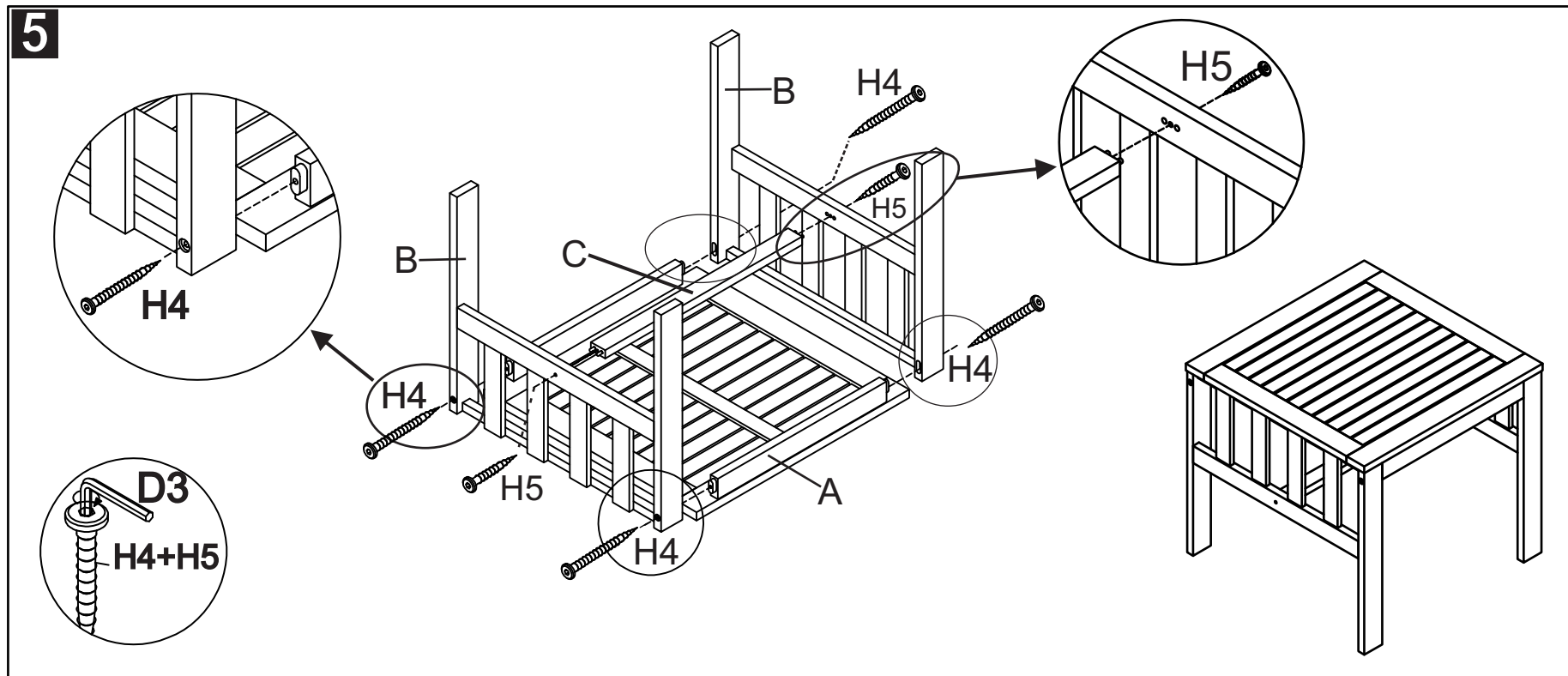
Step 3: attach the Right side (E) to the Seat (B) and Back(A) as shown on the picture. Using the Allen nut (H1) and Allen screw (H2) tighten by the Allen key (H7) and Extra bolt (H6) as shown on the picture.



Step 4: Using the Screw (H3) to fix the back to the leg and tighten by screw driver as shown on the picture.

# PREPARATION

Before beginning the assembly of the product, make sure all parts are present.  
Compare the parts with the package contents list and hardware contents list.  
If any parts are missing or damaged, do not attempt to assemble the product.  
Tool required for assembly (included): Allen Key.



Step 5: attach the Table legs (F) and Support bar (G) to the Table top (E) as shown on the picture.  
Tighten each side by using the Allen screw L (H4) and Allen screw S (H5) with the Allen key (H7)  
as shown on the picture .