


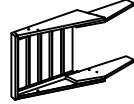
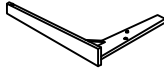
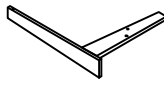



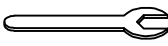

## CARE AND MAINTENANCE

Store outdoor furniture indoors or cover well when it is not in use.  
Dust regularly with small brush or vacuum. Spills should be taken care of immediately before they harden or stain with a slightly dampened sponge.

## NOTICE

Please make sure that you have all parts indicated before you begin assembly of this item.

## Part List and Hardware List

PIECE	DESCRIPTION	PICTURE	QUANTITY
A	Back		1X
B	Seat		1X
C	Left side		1 X
D	Right side		1 X
E1	Allen bolt		2 X
E2	Allen nut L		2 X
E3	Allen nut S		6 X
E4	Wrench		1 X
E5	Allen key		2x



# SAFAVIEH OUTDOOR

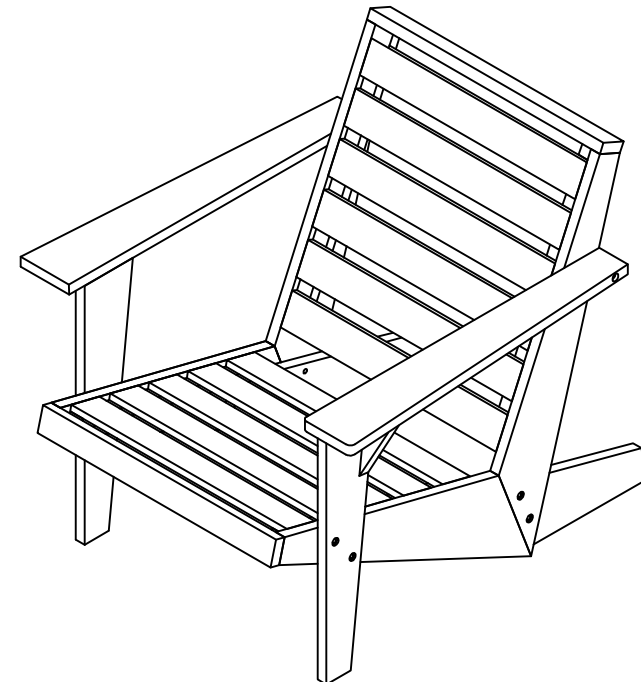
MODEL# PAT6746

Product Dimension :29.53"W x 31.89"D x 28.35"H

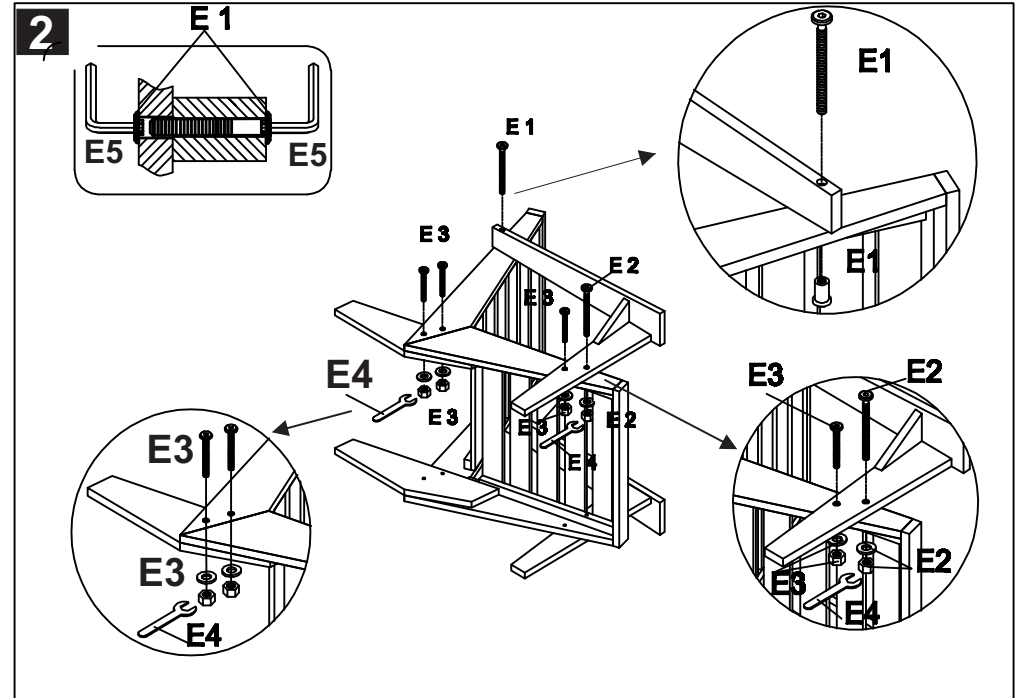
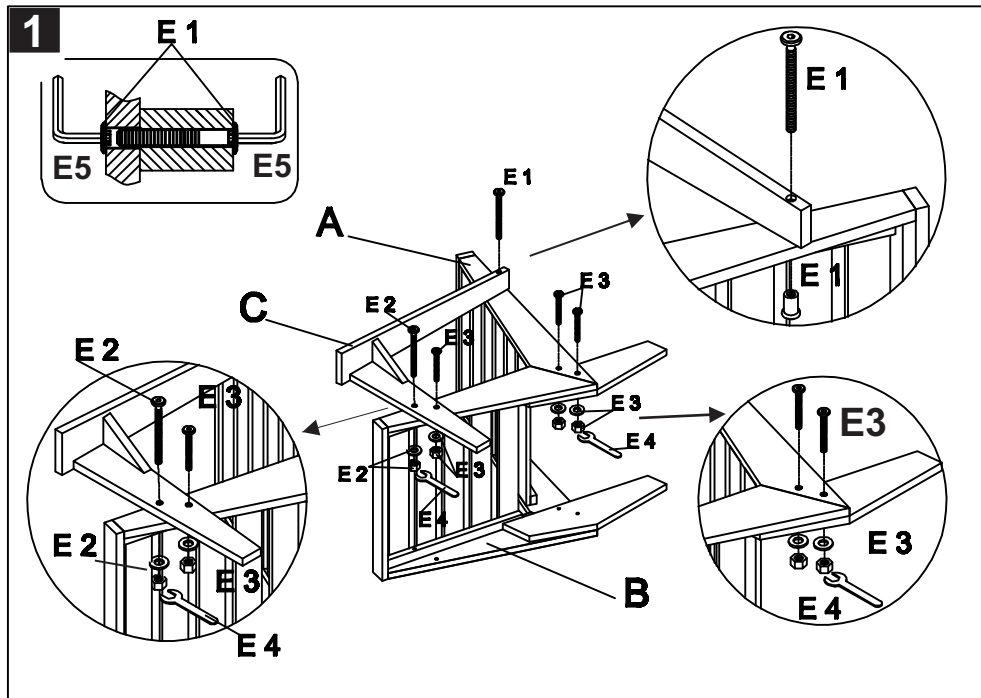
Weight capacity : 275 lbs

Warning : Do not stand on the chair

Warning : Do not torque bolts / screws



Before beginning the assembly of the product, make sure all parts are present. Compare the parts with package contents list and hardware contents list. If any parts are missing or damaged, do not attempt to assemble the product. Tool required for assembly (included) : Allen key and Wrench.



Step 1: attach the back (A) and left side (C) to the seat (B) as shown on the picture. Then using the Allen bolt (E1), Allen nut L (E2) and Allen nut S (E3) as shown on the picture. Tighten with the Allen key (E5) and wrench (E4). Make sure you tight the side , back correct with the length of hardware used.

Step 2: repeat with the right side (D) same step 1. At last tighten all bolts again.