

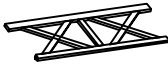
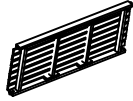

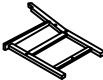
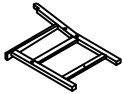


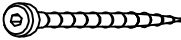


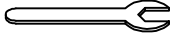
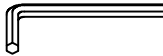
## CARE AND MAINTENANCE

Store outdoor furniture indoors or cover well when it is not in use.  
Dust regularly with small brush or vacuum. Spills should be taken care of immediately before they harden or stain with a slightly dampened sponge.

## NOTICE

Please make sure that you have all parts indicated before you begin assembly of this item.

## Part List and Hardware List

PIECE	DESCRIPTION	PICTURE	QUANTITY
<b>A</b>	Back		<b>1X</b>
<b>B</b>	Seat		<b>1X</b>
<b>C</b>	Bottom		<b>1 X</b>
<b>D</b>	Left side		<b>1 X</b>
<b>E</b>	Right side		<b>1 X</b>
<b>F1</b>	Allen bolt	 M6x70	<b>4 X</b>
<b>F2</b>	Allen bolt S	 M6x40	<b>2 X</b>
<b>F3</b>	Allen screw	 M6x70	<b>2 X</b>
<b>F4</b>	Allen nut	 M6x70	<b>2 X</b>
<b>F5</b>	Bolt extra	 M6x50	<b>1 X</b>
<b>F6</b>	Wrench		<b>1 X</b>
<b>F7</b>	Allen key		<b>1 X</b>



# SAFAVIEH OUTDOOR

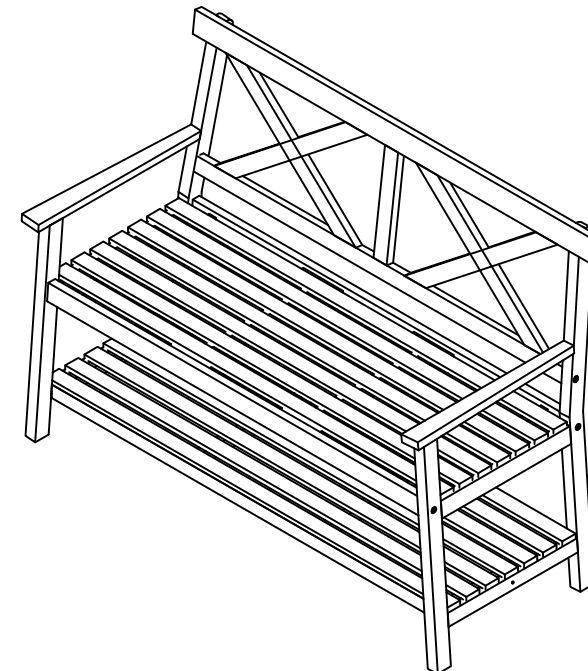
MODEL# PAT6744

Product Dimension : 49.21"W x 22.44"D x 34.65"H

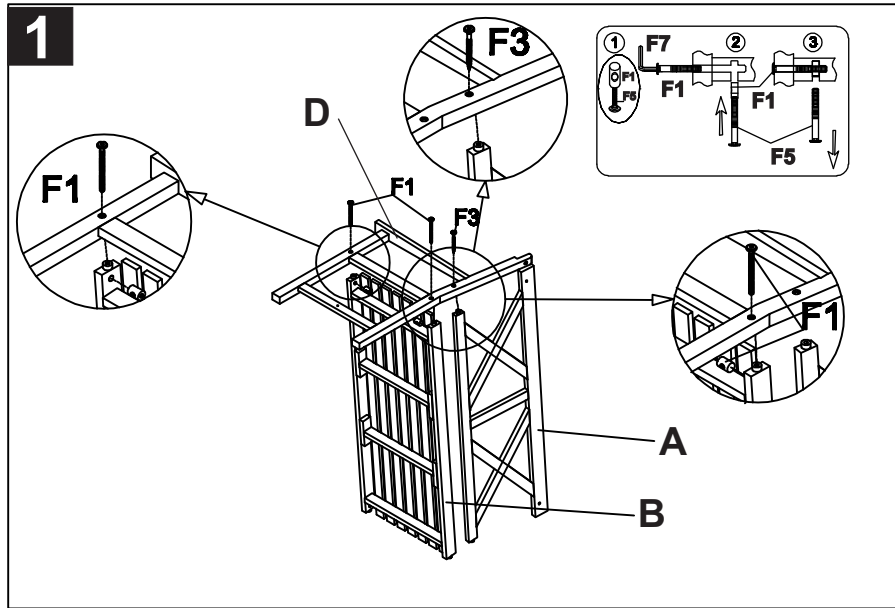
Weight capacity : 550 lbs.

Warning : Do not stand on the bench

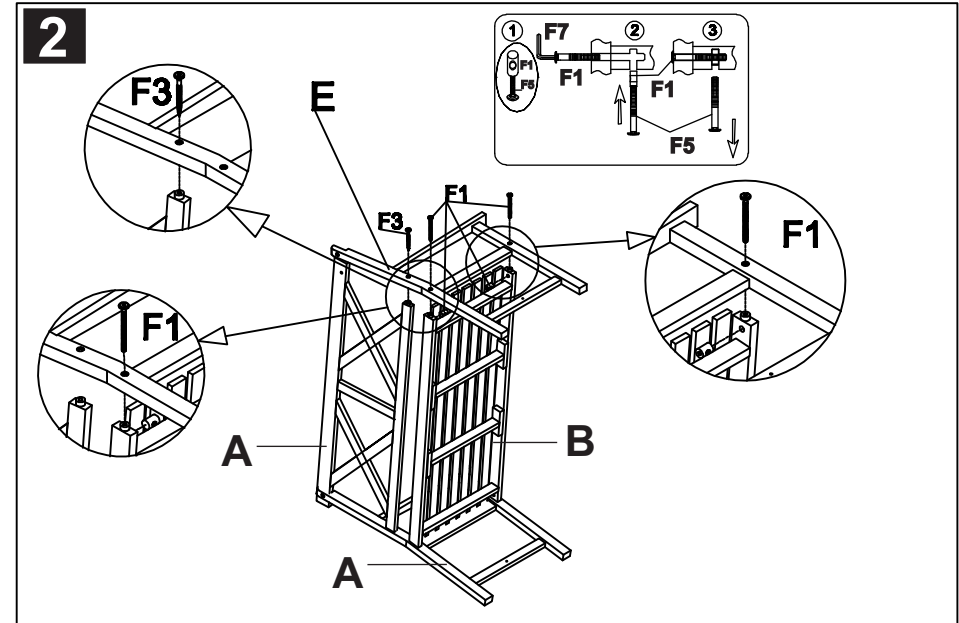
Warning : Do not torque bolts / screws



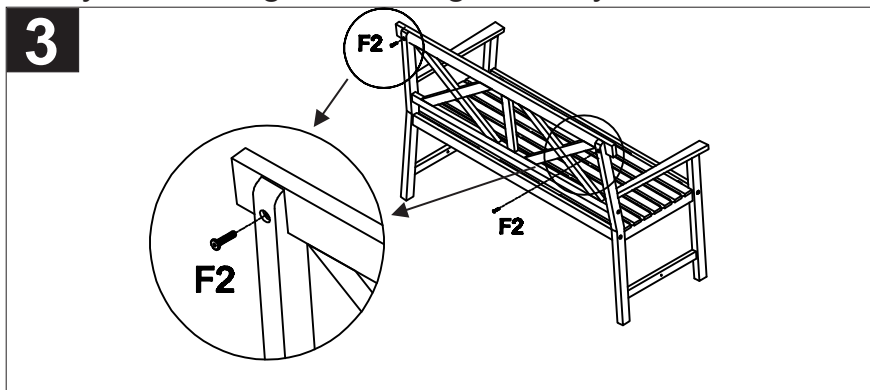
Before beginning the assembly of the product, make sure all parts are present. Compare the parts with package contents list and hardware contents list. If any parts are missing or damaged, do not attempt to assemble the product. Tool required for assembly (included) : Allen key and Wrench.



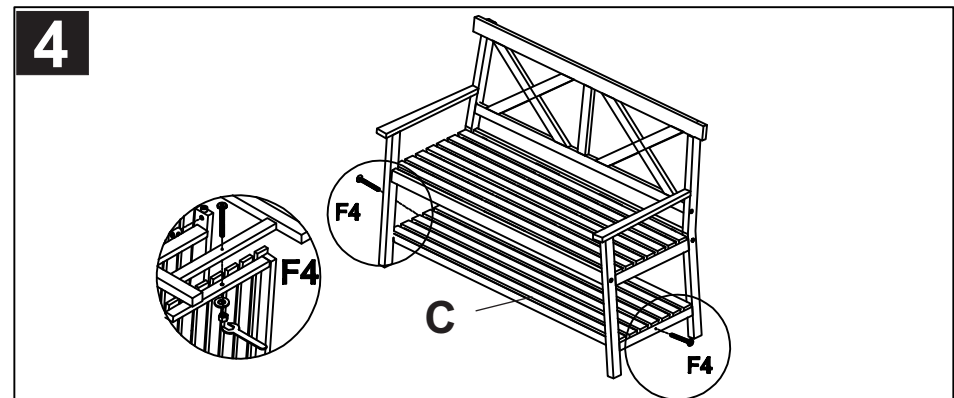
Step 1: attach the left side (D) to the seat (B), back (A), bottom (C) as shown on the picture. Using the Allen bolt (F1), the Allen screw (F3) and tighten with the Allen key (F7). Make sure you don't tighten too tight and you will do at the end.



Step 2: repeat with the right side (E) as step 1 as shown on the picture. At last tighten all bolts and screws.



Step 3: Use the Allen bolt S (F2) to fix the back (A) as shown on the picture by using the Allen key (F7).



Step 4: put the bottom (C) using the Allen nut (F4) as shown on the picture. Tighten the Allen nut (F4) by using the Allen key (F7) and wrench (F6).