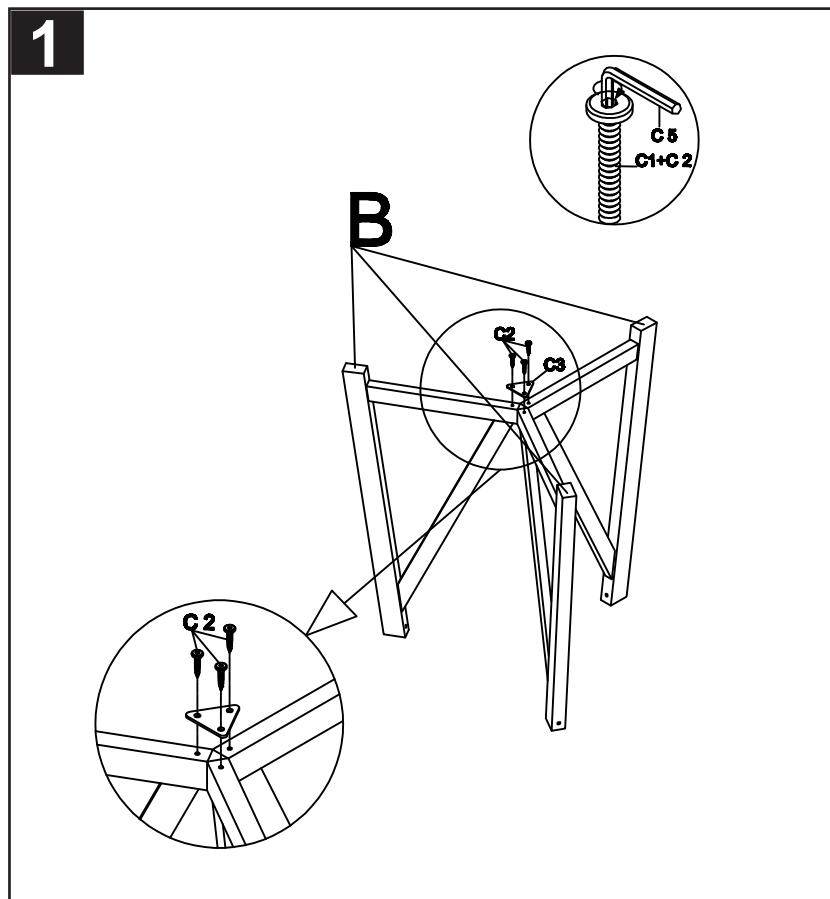
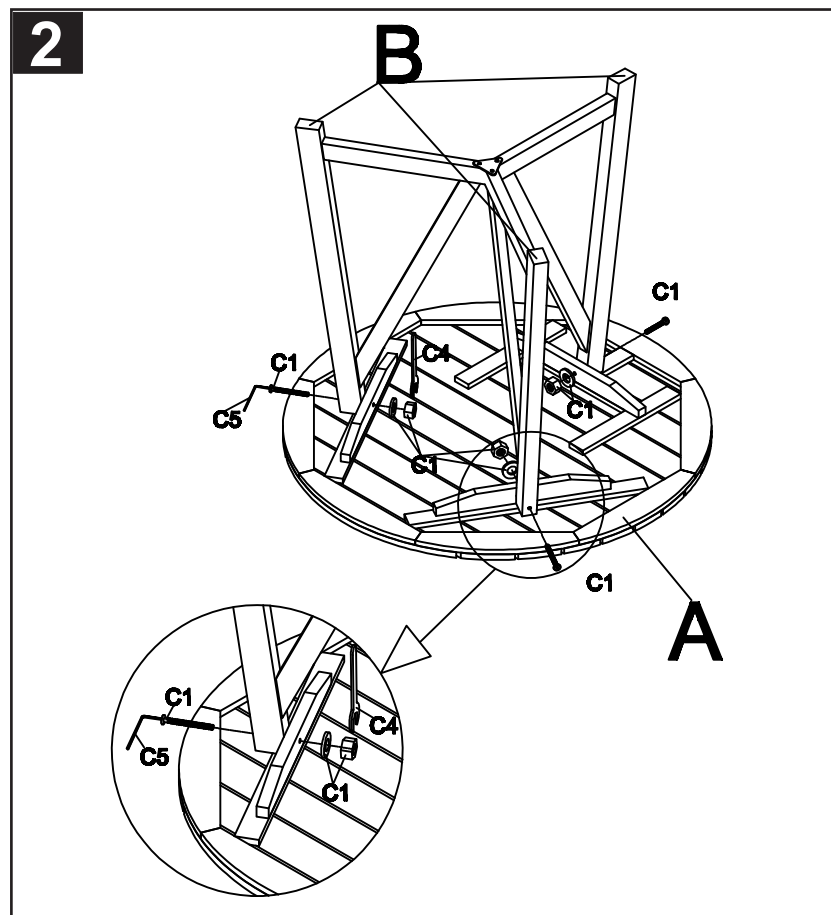


Before beginning the assembly of the product, make sure all parts are present. Compare the parts with package contents list and hardware contents list. If any parts are missing or damaged, do not attempt to assemble the product. Tool required for assembly (included): Allen key and Wrench.



Step 1: assemble the 3 legs (B) together with the triangle part (C3) as shown on the picture by using the Allen screws (C2) and tighten all with the Allen key (C5).



Step 2: put the legs to the table top (A) as shown on the picture. Use the Allen bolts (C1) to fit all the legs to the table top (A) as shown on the picture by using the Allen key (C4) and Wrench (C5).

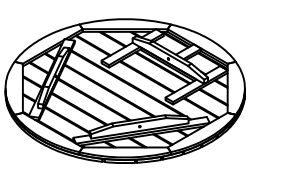
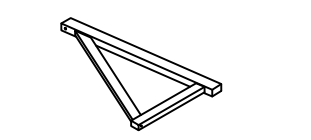


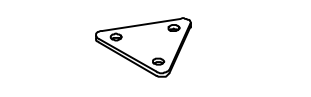
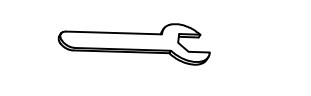
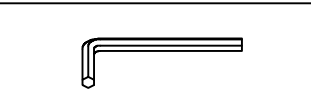
CARE AND MAINTENANCE

Store outdoor furniture indoors or cover well when it is not in use.
Dust regularly with small brush or vacuum. Spills should be taken care of immediately before they harden or stain with a slightly dampened sponge.

NOTICE

Please make sure that you have all parts indicated before you begin assembly of this item.

Part List and Hardware List

| PIECE | DESCRIPTION | PICTURE | QUANTITY |
|-----------|---------------|---|------------|
| A | Table top |  | 1x |
| B | Leg |  | 3x |
| C1 | Allen bolt |  M8x80 | 3 X |
| C2 | Allen screw |  M6x30 | 3 X |
| C3 | Triangle part |  | 1 X |
| C4 | Wrench |  | 1 X |
| C5 | Allen key |  | 1 X |



MODEL # PAT6733

Product Dimension :35.43"Wx35.43"Dx29.13"H

Weight capacity : 40 lbs.

Warning : Do not stand on the table

Warning : Do not torque bolts / screws

