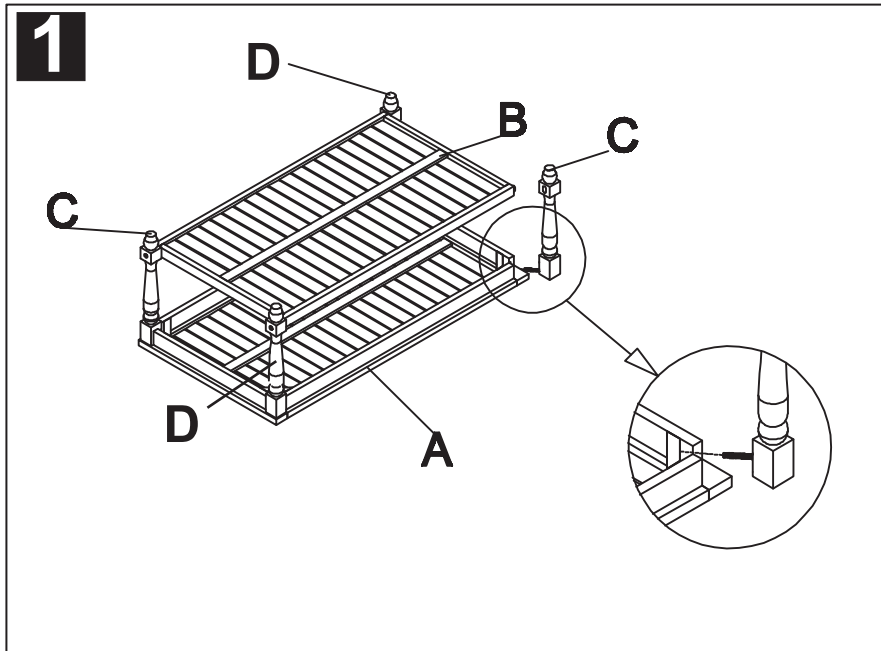
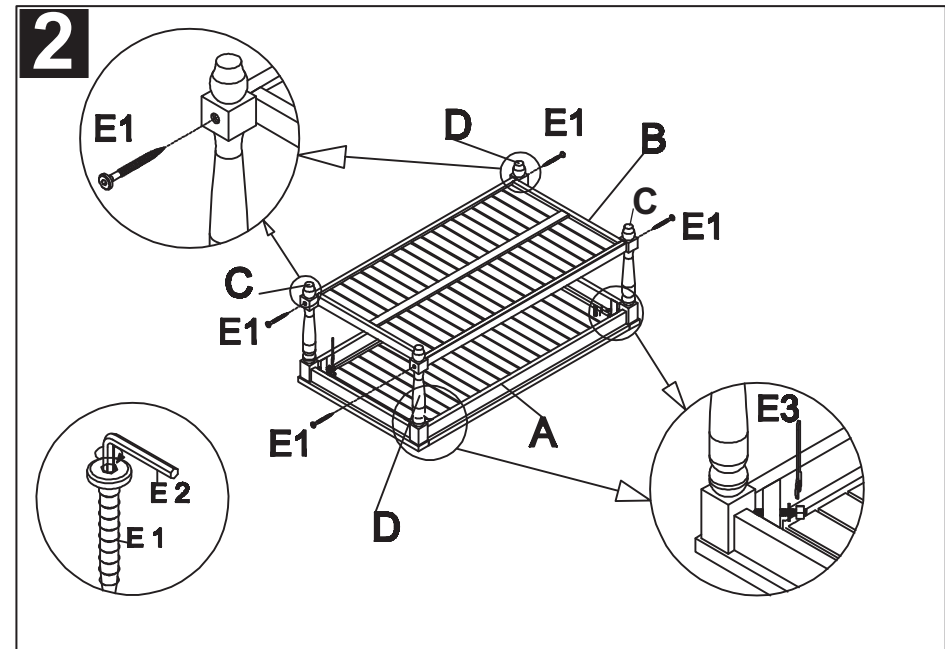


PREPARATION

Before beginning the assembly of the product, make sure all parts are present. Compare the parts with the package contents list and hardware contents list. If any parts are missing or damaged, do not attempt to assemble the product. Tool required for assembly (included): Allen Key and Wrench.



Step 1: attach the leg (C) and leg (D) to the top (A) and Bottom (B) as shown on picture.



Step 2: tighten the legs at the 4 corners to the top table by using the wrench(E3) and bottom (B) with the Allen Screw (E1) by using the Allen Key (E2). Make sure tighten all screws before using.








CARE AND MAINTENANCE

Store outdoor furniture indoors or cover well when it is not in use. Dust regularly with small brush or vacuum. Spills should be taken care of immediately before they harden or stain with a slightly dampened sponge.

NOTICE

Please make sure that you have all parts indicated before you begin assembly of this item.

Part List and Hardware List

PIECE	DESCRIPTION	PICTURE	QUANTITY
A	Top		1 X
B	Bottom		1 X
C	Leg		2 X
D	Leg		2 X
E1	Allen Screw	 M6x70	4 X
E2	Allen Key		1 X
E3	Wrench		1 X

 **SAFAVIEH**
OUTDOOR LIVING

MODEL# PAT6726

Product Dimension: 43.31"W x 23.62"D x 16.54"H

Weight capacity : 40 lbs.

Warning : Do not stand on the table

Warning : Do not torque bolts / screws

