











CARE AND MAINTENANCE

Store outdoor furniture indoors or cover well when it is not in use. Dust regularly with small brush or vacuum. Spills should be taken care of immediately before they harden or stain with a slightly dampened sponge.

NOTICE

Please make sure that you have all parts indicated before you begin assembly of this item.

Part List and Hardware List

PIECE	DESCRIPTION	PICTURE	QUANTITY
A	Back		1X
B	Seat		1X
C	Left side		1X
D	Right side		1X
E	Support L		1X
F	Support S		1X
H1	Allen Bolt	 M6x80	6X
H2	Screw	 M4x35	2X
H3	Bolt extra	 M6x50	1X
H4	Allen Key		1X

 **SAFAVIEH**
OUTDOOR LIVING

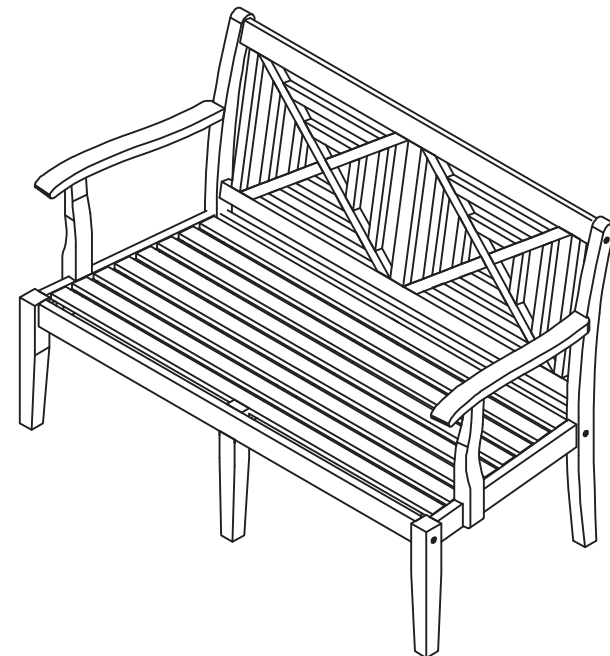
MODEL# PAT6717

Product Dimension: 48.43"W x 24.8"D x 31.89"H

Weight capacity : 600 lbs.

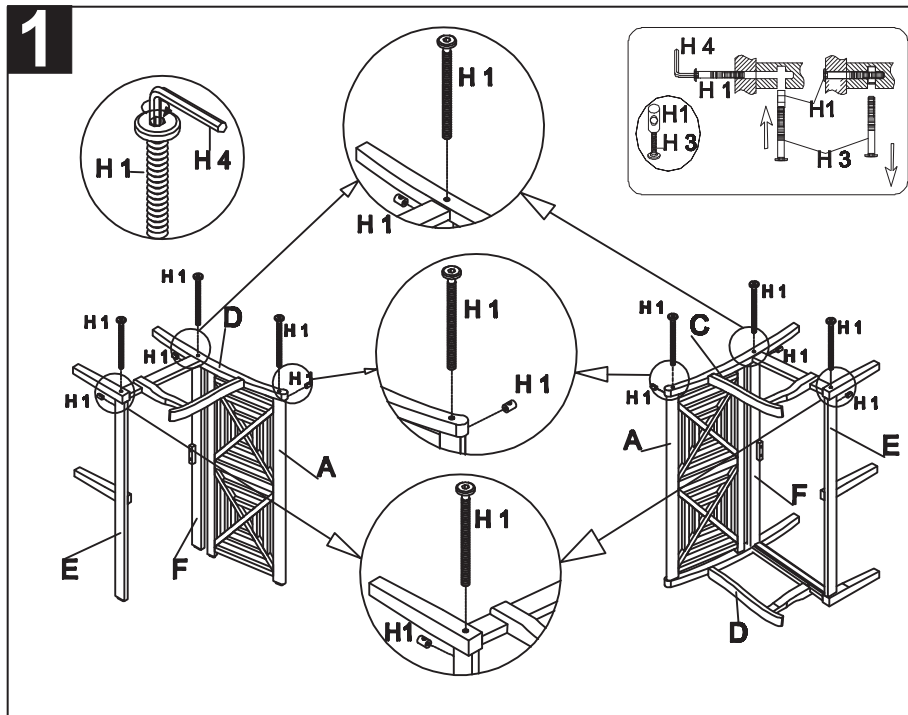
Warning : Do not stand on the bench

Warning : Do not torque bolts / screws

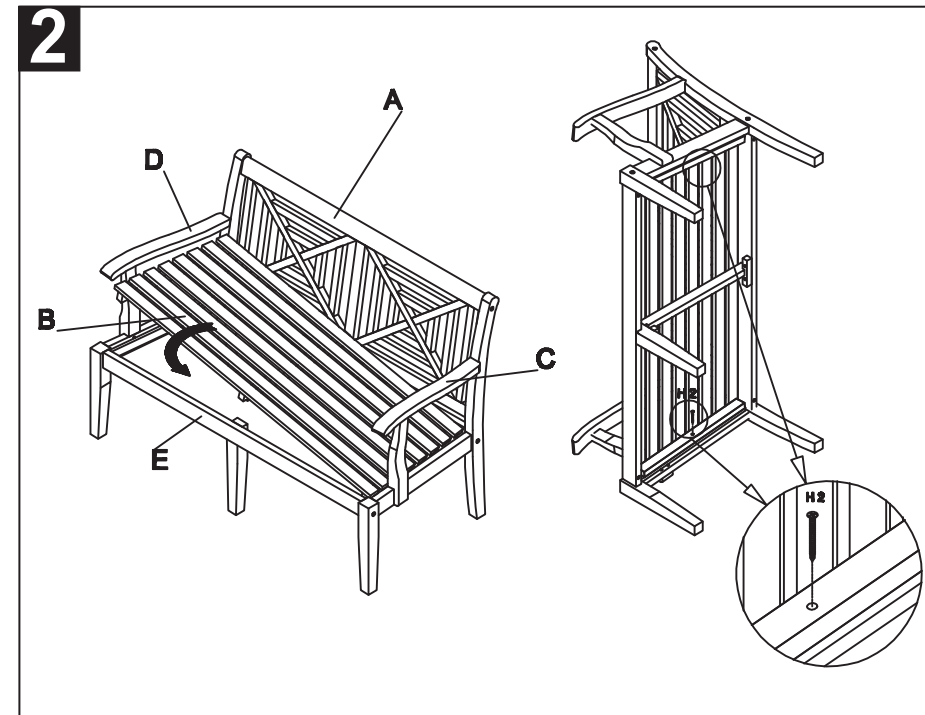


PREPARATION

Before beginning the assembly of the product, make sure all parts are present. Compare the parts with the package contents list and hardware contents list. If any parts are missing or damaged, do not attempt to assemble the product. Tool required for assembly (included): Allen Key.



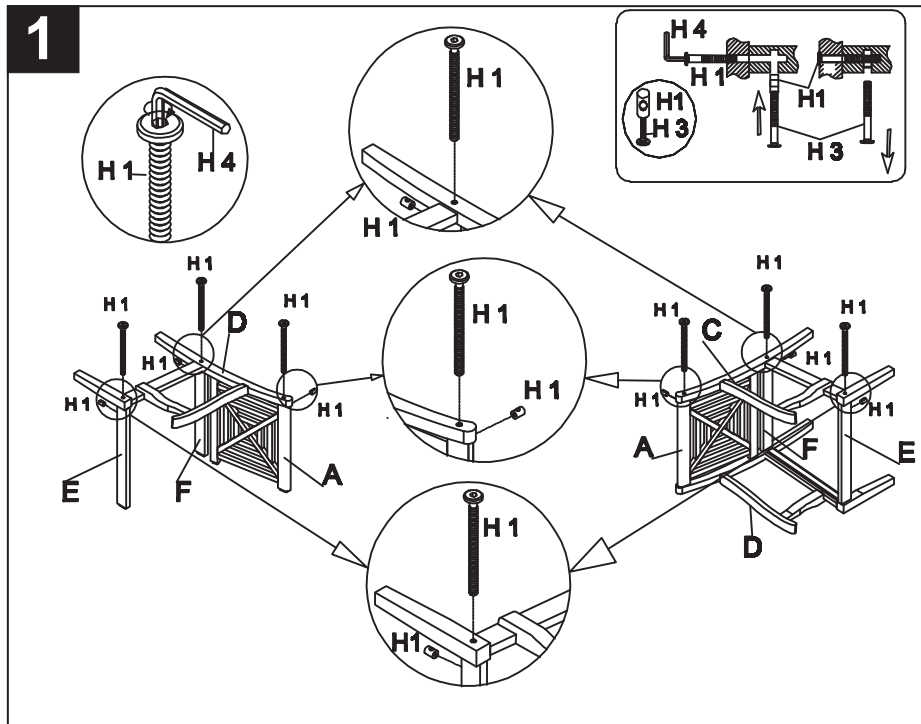
Step 1: attach right side (D) to the back (A) with support L (E) and support S (F) as shown on the picture using Allen Bolt (H1) and tighten with the Allen Key (H4). Continue with the left side (C) in the same way. Make sure to tighten all bolts (H1) before you continue with step 2.



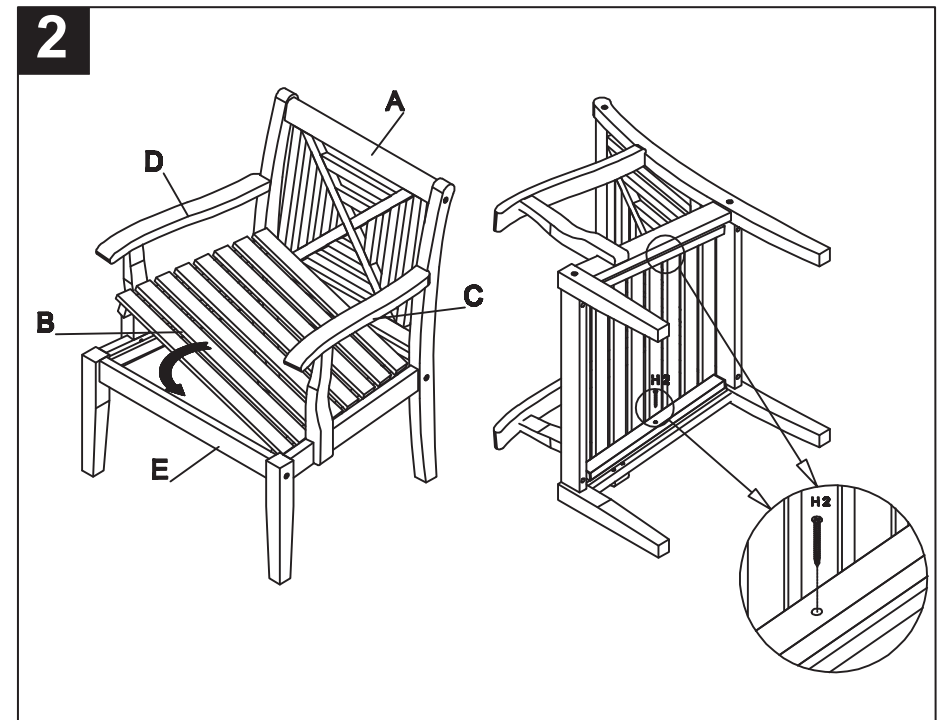
Step 2: put the seat (B) inside chair and using the screws (H2) as on the picture, tighten with screwdriver.

PREPARATION

Before beginning the assembly of the product, make sure all parts are present. Compare the parts with the package contents list and hardware contents list. If any parts are missing or damaged, do not attempt to assemble the product. Tool required for assembly (included): Allen Key.



Step 1: attach right side (D) to the back (A). Then attach support L (E) and support S (F) to the right side (C) as shown on the picture by using the Allen Bolt (H1) and tighten with the Allen Key (H4). Continue with the left side (C) in the same way. Make sure to tighten all bolts (H1) before you continue with step 2.



Step 2: put the seat (B) inside the chair as shown on the picture and use the screws (H2) to attach it to the chair by using a screwdriver.










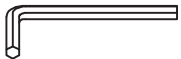
CARE AND MAINTENANCE

Store outdoor furniture indoors or cover well when it is not in use. Dust regularly with small brush or vacuum. Spills should be taken care of immediately before they harden or stain with a slightly dampened sponge.

NOTICE

Please make sure that you have all parts indicated before you begin assembly of this item.

Part List and Hardware List

PIECE	DESCRIPTION	PICTURE	QUANTITY
A	Back		1X
B	Seat		1X
C	Left side		1X
D	Right side		1X
E	Support L		1X
F	Support S		1X
H1	Allen Bolt M6x80		6X
H2	Screw M4x35		2X
H3	Bolt extra M6x50		1X
H4	Allen Key		1X

 **SAFAVIEH**
OUTDOOR LIVING

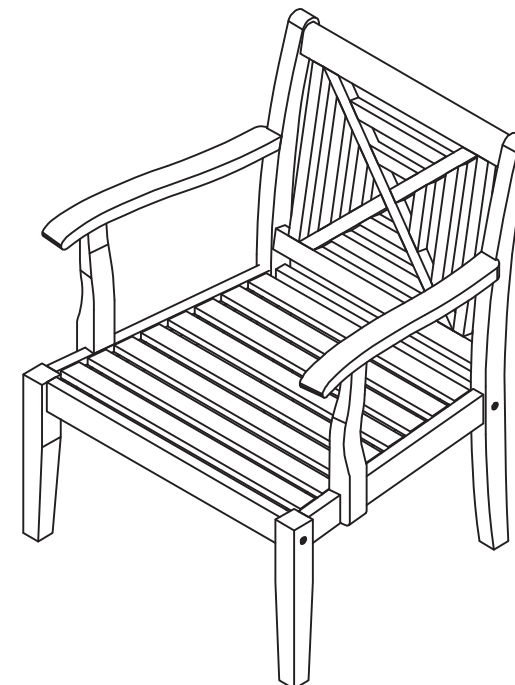
MODEL# PAT6717

Product Dimension: 25.59"W x 24.8"D x 31.89"H

Weight capacity : 300 lbs

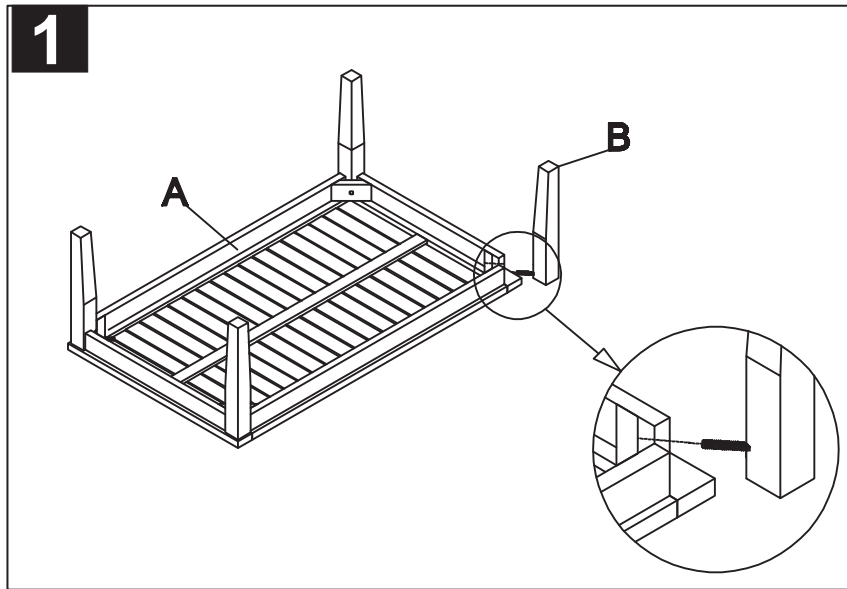
Warning : Do not stand on the chair

Warning : Do not torque bolts / screws

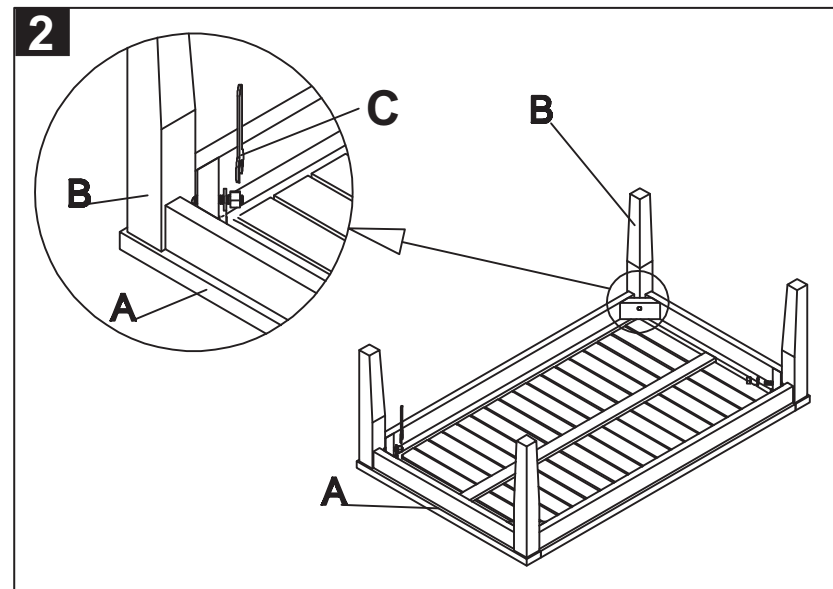


PREPARATION

Before beginning the assembly of the product, make sure all parts are present. Compare the parts with the package contents list and hardware contents list. If any parts are missing or damaged, do not attempt to assemble the product. Tool required for assembly (included): Wrench.



Step 1: turn the table top and put the 4 legs (B) on the table top (A).



Step 2 : tighten all bolts to the support of the table top by using the wrench(C).

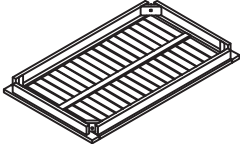
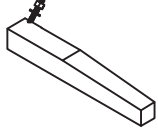

CARE AND MAINTENANCE

Store outdoor furniture indoors or cover well when it is not in use. Dust regularly with small brush or vacuum. Spills should be taken care of immediately before they harden or stain with a slightly dampened sponge.

NOTICE

Please make sure that you have all parts indicated before you begin assembly of this item.

Part List and Hardware List

PIECE	DESCRIPTION	PICTURE	QUANTITY
A	Table top		1 X
B	Leg		4 X
C	Wrench		1 X

 **SAFAVIEH**
OUTDOOR LIVING

MODEL# PAT6717

Product Dimension: 39.37"W x 23.62"D x 14.17"H

Weight capacity : 40 lbs.

Warning : Do not stand on the table

Warning : Do not torque bolts / screws

