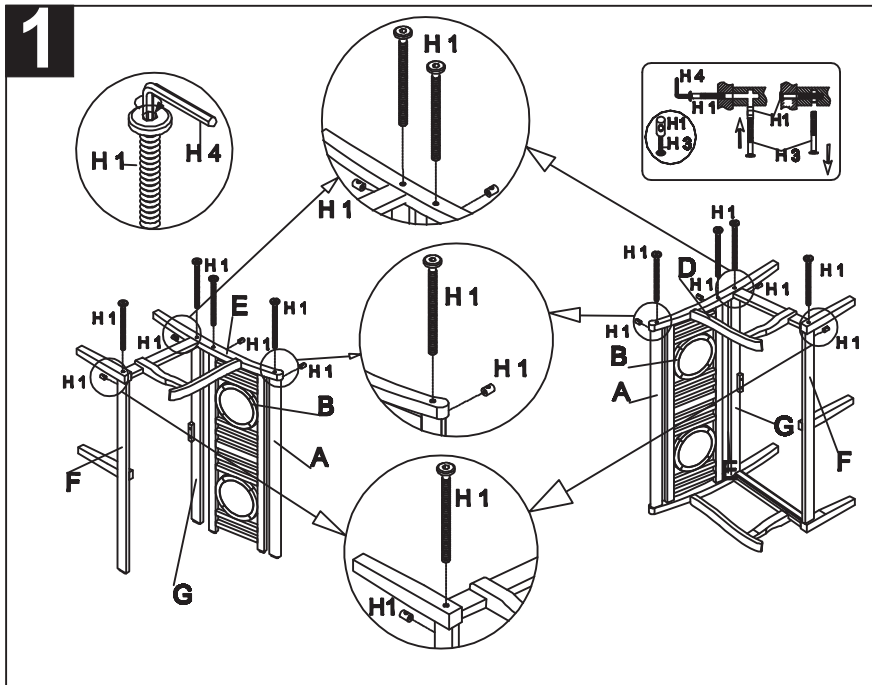
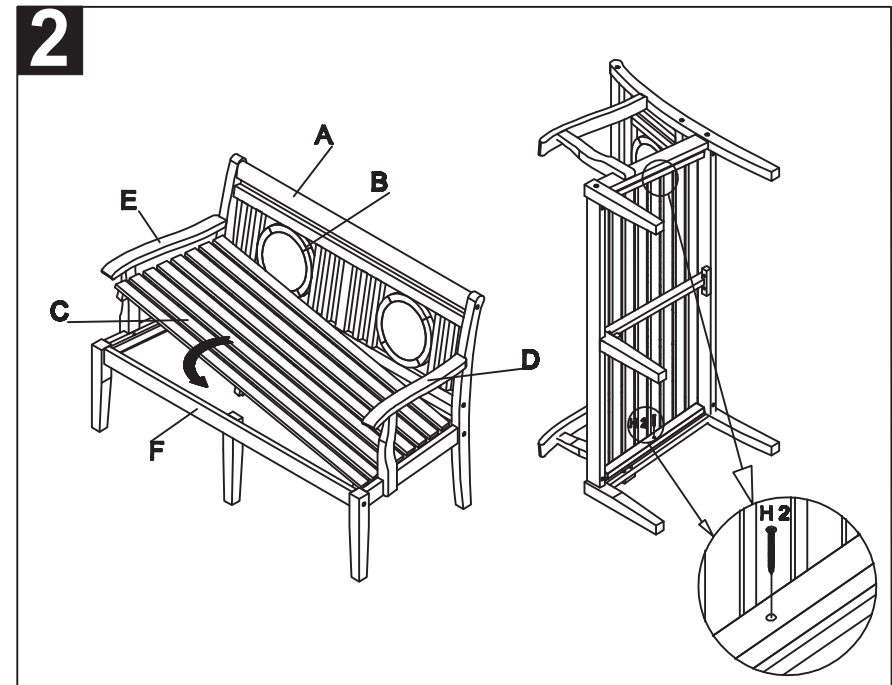


PREPARATION

Before beginning the assembly of the product, make sure all parts are present. Compare the parts with the package contents list and hardware contents list. If any parts are missing or damaged, do not attempt to assemble the product. Tool required for assembly (included): Allen Key.



Step 1: attach right side (E) to the top (A) and back (B). Then attach support S (G) and support L (F) to the right side (E) as shown on the picture by using the Allen Bolt (H1) and tighten with the Allen Key (H4). Continue with the left side (D) in the same way. Make sure to tighten all bolts (H1) before you continue with step 2.



Step 2: put the seat (C) inside the bench as shown on the picture and use the screws (H2) to attach it to the bench by using a screwdriver.









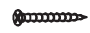

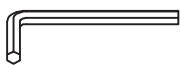
CARE AND MAINTENANCE

Store outdoor furniture indoors or cover well when it is not in use. Dust regularly with small brush or vacuum. Spills should be taken care of immediately before they harden or stain with a slightly dampened sponge.

NOTICE

Please make sure that you have all parts indicated before you begin assembly of this item.

Part List and Hardware List

| PIECE | DESCRIPTION | PICTURE | QUANTITY |
|-------|-------------|----------------------------------------------------------------------------------------------|----------|
| A | Top |  | 1X |
| B | Back |  | 1X |
| C | Seat |  | 1X |
| D | Left side |  | 1X |
| E | Right side |  | 1X |
| F | Support L |  | 1X |
| G | Support S |  | 1X |
| H1 | Allen Bolt |  M6x70 | 8X |
| H2 | Screw |  M4x35 | 2X |
| H3 | Bolt extra |  M6x50 | 1X |
| H4 | Allen Key |  | 1X |

 **SAFAVIEH**
OUTDOOR LIVING

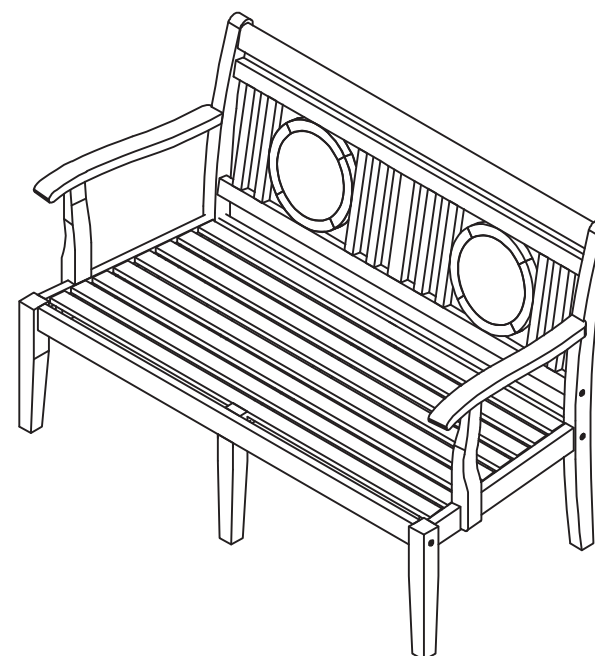
MODEL# PAT6712

Product Dimension: 48.43"W x 24.8"D x 31.89"H

Weight capacity : 600 lbs.

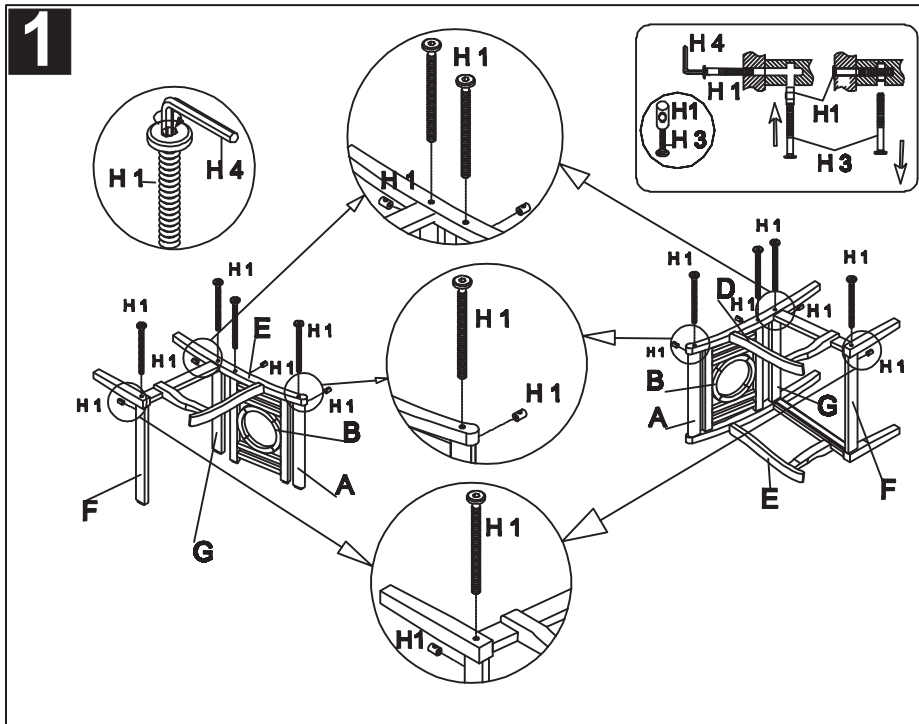
Warning : Do not stand on the bench

Warning : Do not torque bolts / screws

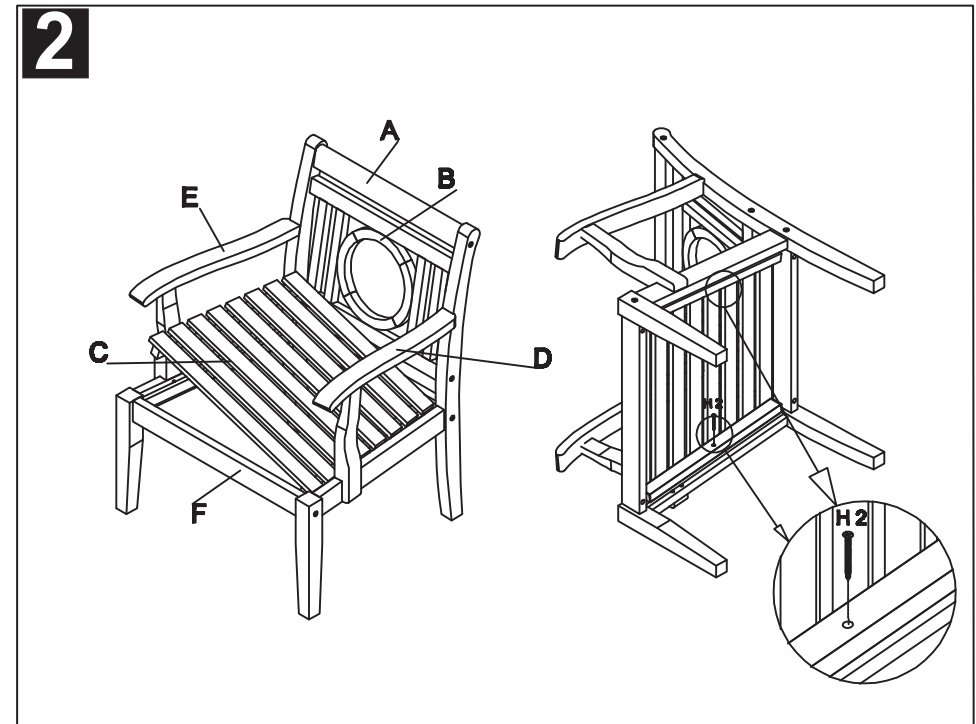


PREPARATION

Before beginning the assembly of the product, make sure all parts are present. Compare the parts with the package contents list and hardware contents list. If any parts are missing or damaged, do not attempt to assemble the product. Tool required for assembly (included): Allen Key.



Step 1: attach right side (E) to the top back (A) and back (B). Then attach support L (F) and support S (G) to the right side (E) as shown on the picture by using the Allen Bolt (H1) and tighten with the Allen Key (H4). Continue with the left side (D) in the same way. Make sure to tighten all bolts (H1) before you continue with step 2.



Step 2: put the seat (C) inside the chair as shown on the picture and use the screws (H2) to attach it to the chair by using a screwdriver.







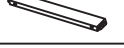

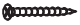

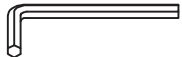
CARE AND MAINTENANCE

Store outdoor furniture indoors or cover well when it is not in use. Dust regularly with small brush or vacuum. Spills should be taken care of immediately before they harden or stain with a slightly dampened sponge.

NOTICE

Please make sure that you have all parts indicated before you begin assembly of this item.

Part List and Hardware List

| PIECE | DESCRIPTION | PICTURE | QUANTITY |
|-------|-------------|----------------------------------------------------------------------------------------------|----------|
| A | Top back |  | 1X |
| B | Back |  | 1X |
| C | Seat |  | 1X |
| D | Left side |  | 1X |
| E | Right side |  | 1X |
| F | Support L |  | 1X |
| G | Support S |  | 1X |
| H1 | Allen Bolt |  M6x70 | 8X |
| H2 | Screw |  M4x35 | 2X |
| H3 | Bolt extra |  M6x50 | 1X |
| H4 | Allen Key |  | 1X |

 **SAFAVIEH**
OUTDOOR LIVING

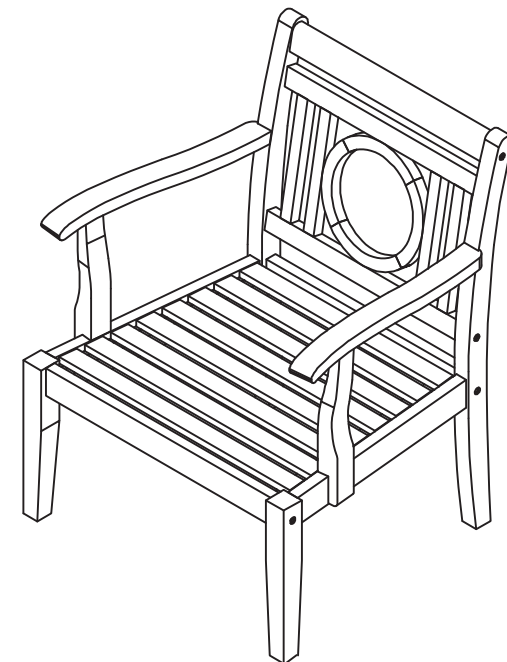
MODEL# PAT6712

Product Dimension: 27.17"W x 27.17"D x 31.89"H

Weight capacity : 300 lbs

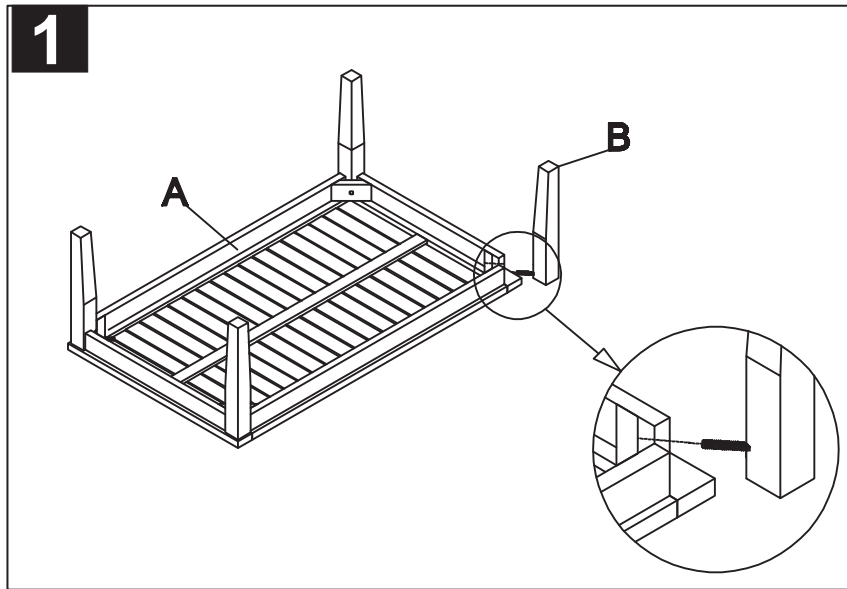
Warning : Do not stand on the chair

Warning : Do not torque bolts / screws

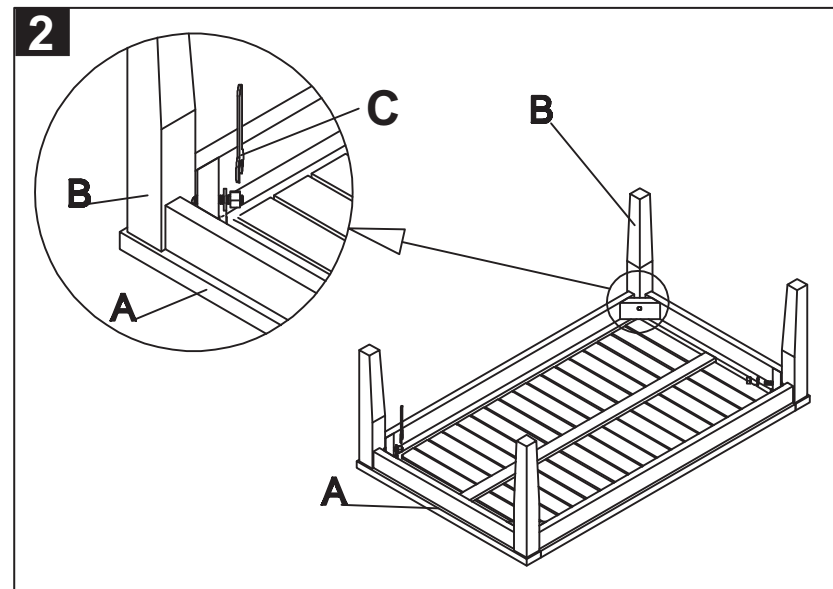


PREPARATION

Before beginning the assembly of the product, make sure all parts are present. Compare the parts with the package contents list and hardware contents list. If any parts are missing or damaged, do not attempt to assemble the product. Tool required for assembly (included): Wrench.



Step 1: turn the table top and put the 4 legs (B) on the table top (A).



Step 2 : tighten all bolts to the support of the table top by using the wrench(C).

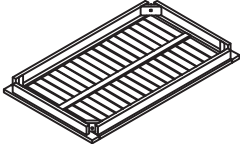
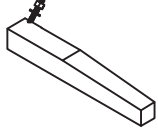

CARE AND MAINTENANCE

Store outdoor furniture indoors or cover well when it is not in use. Dust regularly with small brush or vacuum. Spills should be taken care of immediately before they harden or stain with a slightly dampened sponge.

NOTICE

Please make sure that you have all parts indicated before you begin assembly of this item.

Part List and Hardware List

| PIECE | DESCRIPTION | PICTURE | QUANTITY |
|----------|-------------|-------------------------------------------------------------------------------------|------------|
| A | Table top |  | 1 X |
| B | Leg |  | 4 X |
| C | Wrench |  | 1 X |

 **SAFAVIEH**
OUTDOOR LIVING

MODEL# PAT6712

Product Dimension: 39.37"W x 23.62"D x 14.17"H

Weight capacity : 40 lbs.

Warning : Do not stand on the table

Warning : Do not torque bolts / screws

