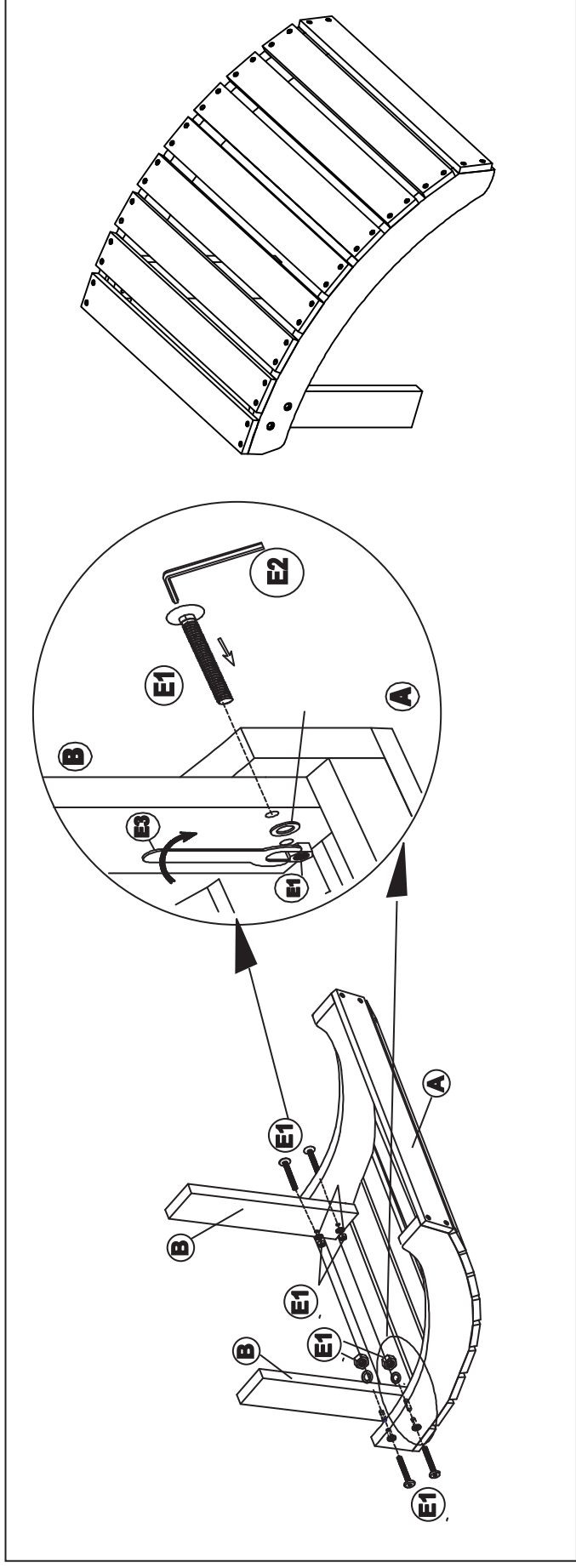


PREPARATION

Before beginning the assembly of the product, make sure all parts are present. Compare the parts with the package contents list and hardware contents list. If any parts are missing or damaged, do not attempt to assemble the product. Tool required for assembly (included): Allen Key and Wrench.



Sep 1: attach the legs (B) inside the frame (A) by using the Allen bolt (E1) and tighten it with the Allen key (E2) and wrench (E3) as shown on the picture.

CARE AND MAINTENANCE

Store outdoor furniture indoors or cover well when it is not in use. Dust regularly with small brush or vacuum. Spills should be taken care of immediately before they harden or stain with a slightly dampened sponge.

NOTICE

Please make sure that you have all parts indicated before you begin assembly of this item.

SAFAVIEH OUTDOOR LIVING

MODEL# PAT6701

Product Dimension: 19.69"W x 20.87"D x 12.99"H






Weight capacity : 200 lbs

Warning : Do not stand on the chair

Warning : Do not torque bolts / screws



Part List and Hardware List

PIECE	DESCRIPTION	PICTURE	QUANTITY
A	Frame		1 x
B	Leg		2 x
E1	Allen Bolt		4 x
E2	Allen Key		1 x
E3	Wrench		1 x

