

## CARE AND MAINTENANCE

Do not use acids or alkaline cleaning agents. Sharp objects will damage and scratch the surface. Wipe the surface with a soft, damp cloth









## NOTICE

\* Please make sure that you have all parts indicated before you begin assembly of this item

\* This item should be assembled on a soft surface to prevent scratching the finish during assembly

\* This item may require periodic tightening

## Part List and Hardware List

PIECE	DESCRIPTION	PICTURE	QUANTITY
A	M8 Nut		15x
B	M8 Bolt		12x
C	Spinner		1x
D	Side panels		4x
E	Assemble bar		2x
F	Top decor panel		2x
G	Supporting bar		2x
H	Supporting bar with bolts		4x

## PREPARATION

 **SAFAVIEH**  
O U T D O O R

Model#PAT5007

Product Dimensions:48"W x18.5 " D x84" H



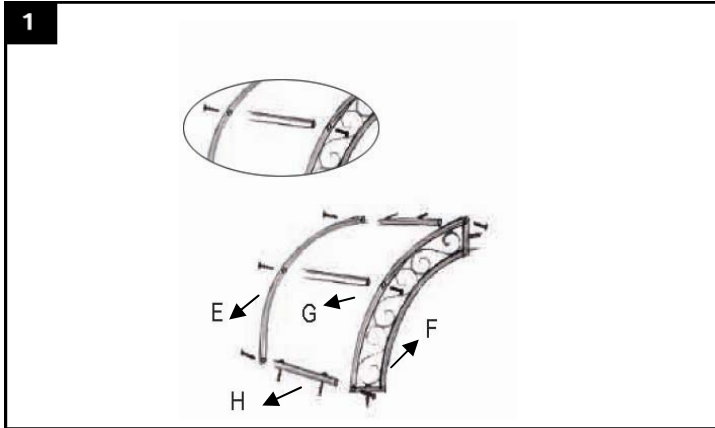
Before beginning assembly of product, make sure all parts are present.  
Compare parts with package contents list and hardware contents list.  
If any part is missing or damaged, do not attempt to assemble the product.  
Estimated Assembly Time: 10 minutes.

Tools Required for Assembly (included): SPANNER.

Nuts has been kept on product itself, two spare nuts can found in hardware bag

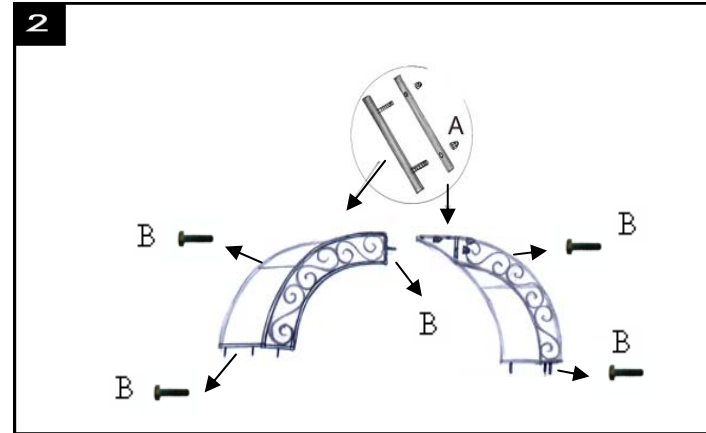
Please do not fully tighten bolts/nuts until the end of step.

Periodically check all bolted connections to make sure they are tight and secure.



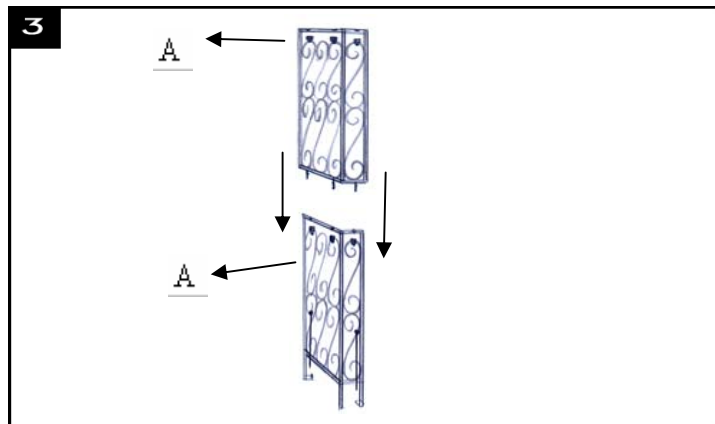
### **Step 1**

Connect the supporting bar (G) and (H) to the assemble bar (E) and top decor panel (F), using nuts and spanner provided.



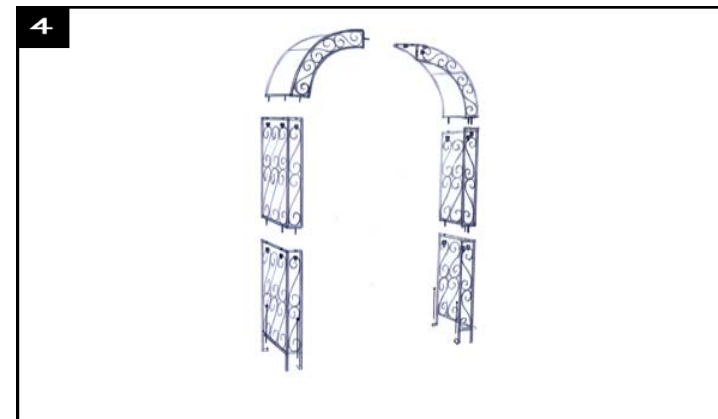
### **Step 2**

Assemble the top part of the arbor with M8 nut (A) and M8 bolt (B).



### **Step 3**

Make side panels (D) together



### **Step 4**

Insert the top part of the arbor into side panels (D), fasten the nuts with spanner provided.