

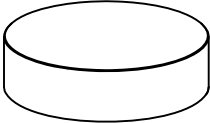
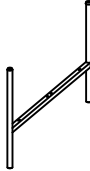
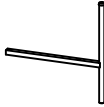




CARE AND MAINTENANCE

Wipe clean with a soft, dry cloth. Test the cleaning method on a hidden area before using them over the entire area.

NOTICE

- * Please make sure that you have all parts indicated before you begin assembly of this item.
- * This item should be assembled on a soft surface to prevent scratching the finished product during assembly.
- * This item may require periodic tightening.
- * Do not tighten bolts until completely assembled.

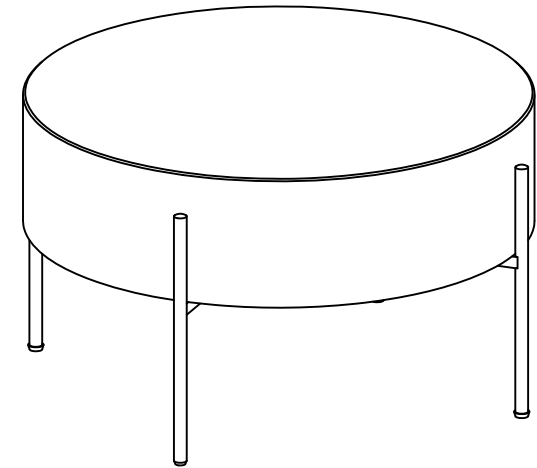
Part List and Hardware List

PIECE	DESCRIPTION	PICTURE	QUANTITY
A	Seat cushion		1x
B	H type metal frame		1x
C	T type metal frame		2x
HW1	Hex Socket Bolt	 1/4"-20x5/8"	4x
HW2	Hex Socket Bolt	 1/4"-20x1-1/2"	4x
HW3	Crisscross metal plate	 3x60x60mm	1x
HW4	Allen key	 M4	1x

SAFAVIEH FURNITURE

Model# OTT6203

Product Dimensions: 31-1/2" DIA. x 18"H



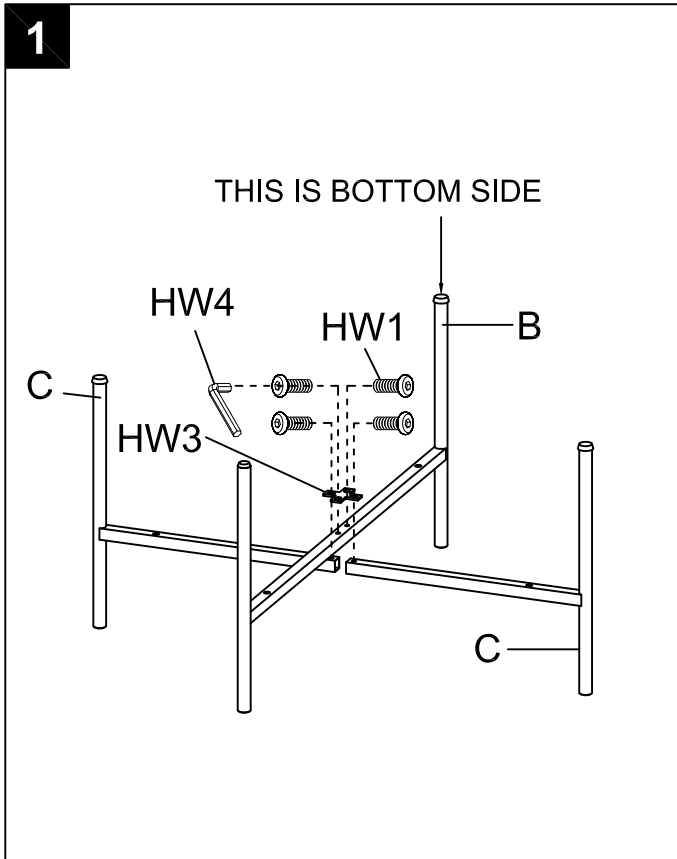
Weight capacity: 275lbs
WARNING: DO NOT STAND ON THE PRODUCT

PREPARATION

Before beginning assembly of product, make sure all parts are present. Compare parts with package contents list and hardware contents list. If any part is missing or damaged, do not attempt to assemble the product.

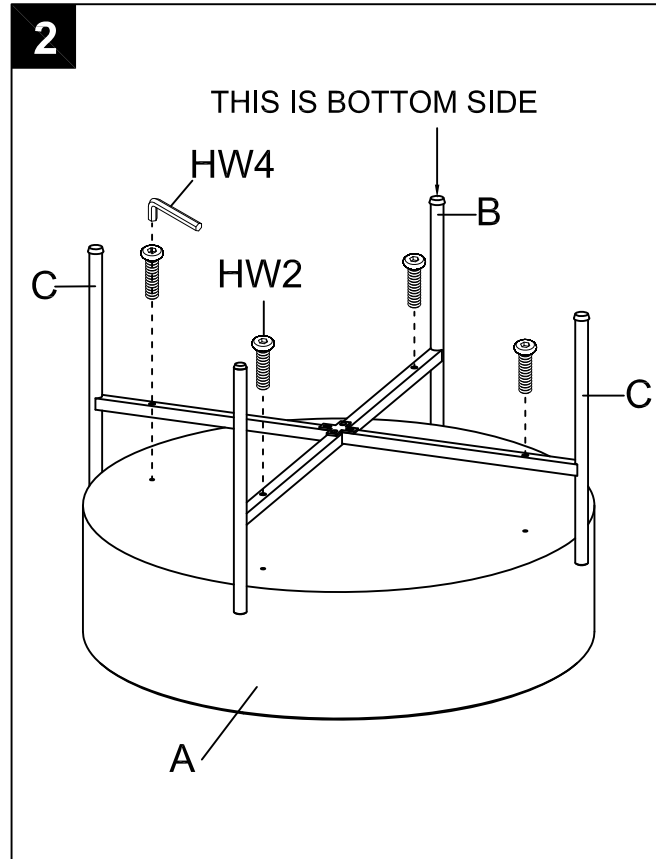
Estimated Assembly Time: 15 minutes.

Tools Required for Assembly : Allen Key (included)



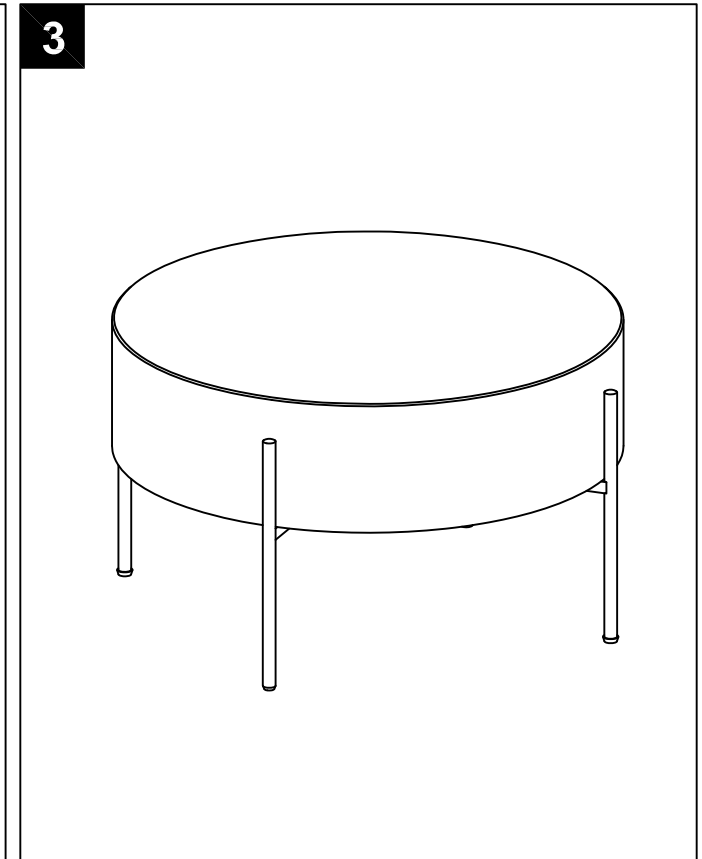
Step 1

Attach 1*H type metal frame (B) & 2*T type metal frames (C) together with crisscross metal plate (HW3), Use Allen Key (HW4) to lock through holes on crisscross metal plate with 4*Hex Socket Bolt (HW1), as picture.



Step 2

Attach the assembled metal base (as step 1) with underneath of Seat cushion (A), And aligning the holes of metal frame with the holes on the underneath of the Seat cushion (A), Use Allen key (HW4) to lock with 4*Hex Socket Bolt (HW2).



Step 3

Straighten up the assembled ottoman, Assembly is completed.