

NOTICE

*Please make sure that you have all parts indicated and they are in good condition before you begin assembly of this item. Refer to part list and hardware list below for guidance.

*This item should be assembled on a soft surface to prevent scratching the finish during assembly.

*This item may require periodic tightening.

*If you are having difficulty, our friendly Customer Care team is always here to help. Please email customersupport@safavieh.com

PREPARATION

*Before beginning assembly of product, make sure all parts are present. Compare parts with part contents list and hardware contents list.

*If any part is missing or damaged, do not attempt to assemble the product.

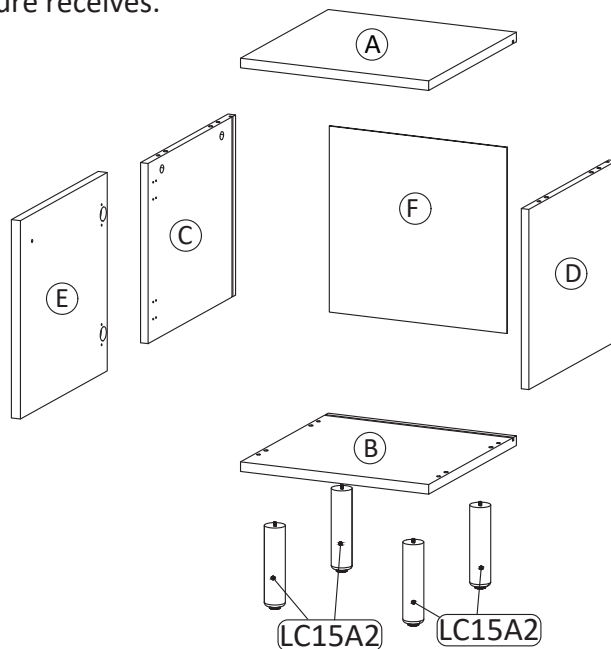
*Estimated Assembly Time: 45 minutes.

*Tools Required for Assembly (included): Allen Key

CARE AND MAINTENANCE

Always use felt pads under all articles to prevent discoloration or softening of the lacquer. Plastic and rubber bases on items can discolor wood. Wipe up spills immediately and avoid common hazards such as hot dishes, harsh solvents and abrasives. Cleaning should be done with a soft lint free cotton cloth dampened with water or furniture polish. On highly used surfaces we recommend applying a quality paste wax which should be used on a regular basis to provide additional protection from scratches and spills. How often you apply the wax depends on how much wear the furniture receives.

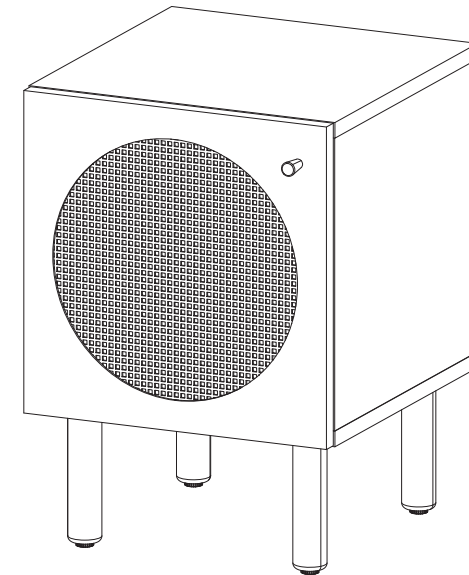
Part List



 **SAFAVIEH**
FURNITURE

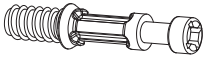



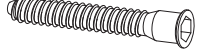

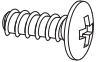
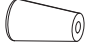




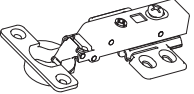
Model# NST9603

Product Dimensions: 15"Wx15"Dx21"H



WARNING :
WEIGHT CAPACITY: 19 LBS.
SHELF LOAD CAPACITY : 19.8 LBS.

Hardware List

<p>HW1x4</p>  <p>Ø 6 x 35 mm</p>	<p>HW2x4</p>  <p>Ø 15 mm</p>	<p>HW3x4</p> 	<p>HW4x8</p>  <p>Ø 8 x 30 mm</p>	<p>HW5x4</p>  <p>M 7 x 50 mm</p>	<p>HW6x1</p>  <p>L 4</p>
<p>HW7x28</p>  <p>M 4.5 x 12.5 mm</p>	<p>HW8x1</p> 	<p>HW9x1</p>  <p>M 4 x 25 mm</p>	<p>HW10x4</p>  <p>M 3.5 x 15.5 mm</p>	<p>HW11x4</p> 	<p>HW PM2x4</p> 
<p>HW HS26Ax2</p> 					

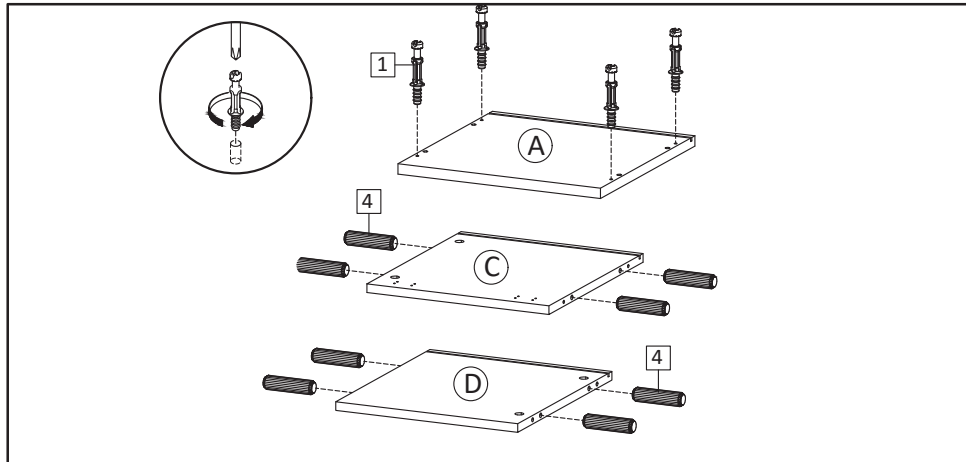
Part List & HW For Multi-Box Items

Piece	Description	Qty	Carton Call
A	Top Board	1	1 of 1
B	Bottom Board	1	1 of 1
C	Side Board Left	1	1 of 1
D	Side Board Right	1	1 of 1
E	Wooden Door	1	1 of 1
F	Back Board	1	1 of 1
LC15A2	Leg	4	1 of 1

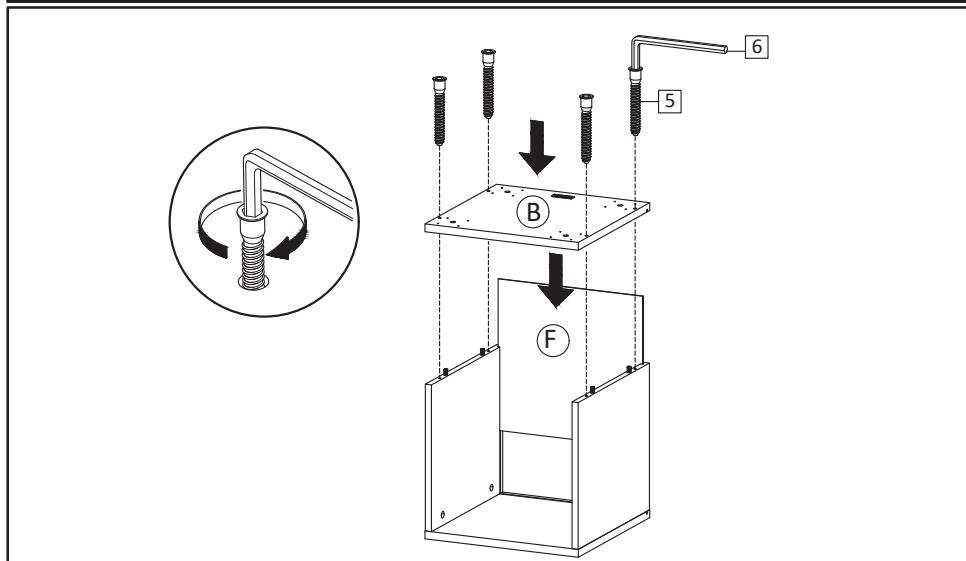
Piece	Description	Qty	Carton Call
HW1	Cambolt	4	1 of 1
HW2	CamLock	4	1 of 1
HW3	Screw Cap	4	1 of 1
HW4	Dowel	8	1 of 1
HW5	Screw M 7 x 50 mm	4	1 of 1
HW6	Allen Key	1	1 of 1
HW7	Screw M 4.5 x 12.5 mm	28	1 of 1
HW8	Handle	1	1 of 1
HW9	Screw M 4 x 25 mm	1	1 of 1
HW10	Screw M 3.5 x 15.5 mm	4	1 of 1
HW11	Wedge	4	1 of 1
HW PM2	Mounting Plate	4	1 of 1
HW HS26A	Hinge	2	1 of 1

PREPARATION

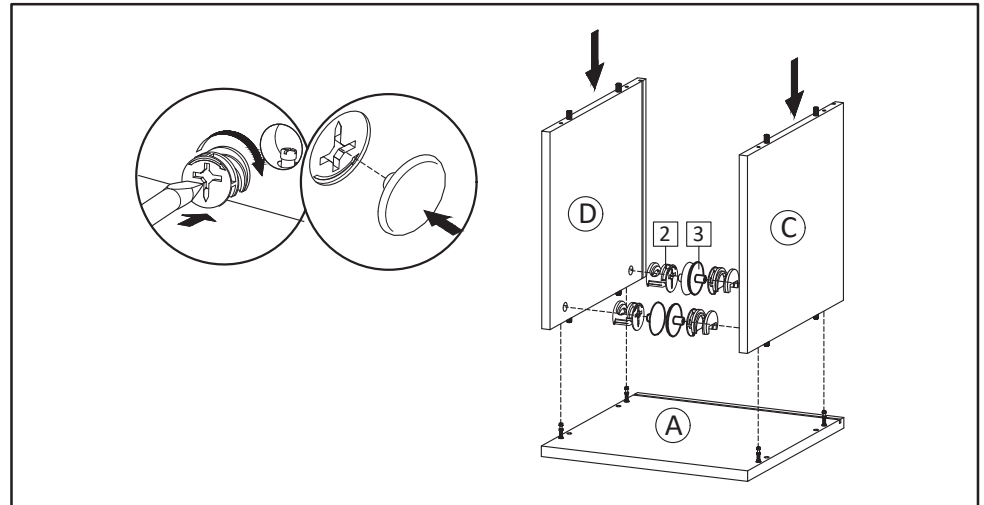
part contents list and hardware contents list.
If any part is missing or damaged, do not attempt to assemble the product.
Estimated Assembly Time: 45 minutes.



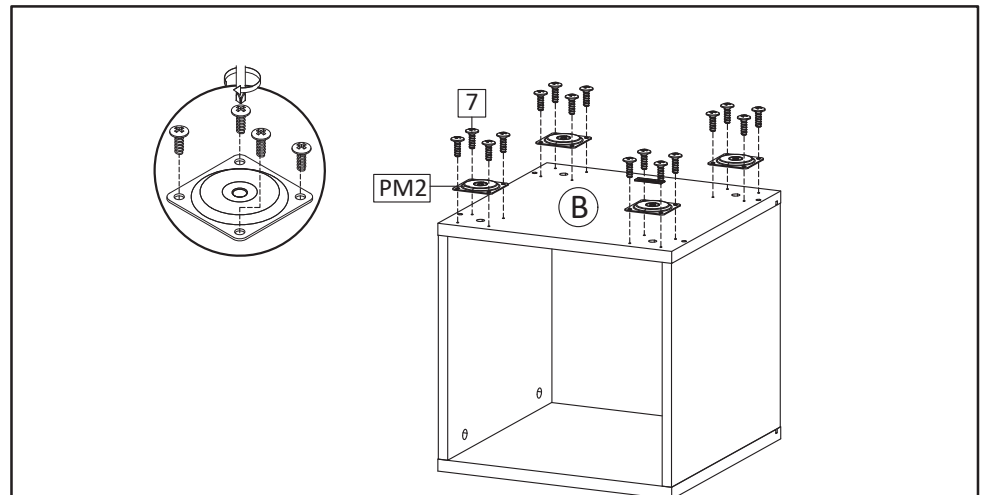
STEP1: Insert Cambolt (HW1) into Top Board (A).
Insert Dowel (HW4) into Side Board Left (C) and Side Board Right (D).



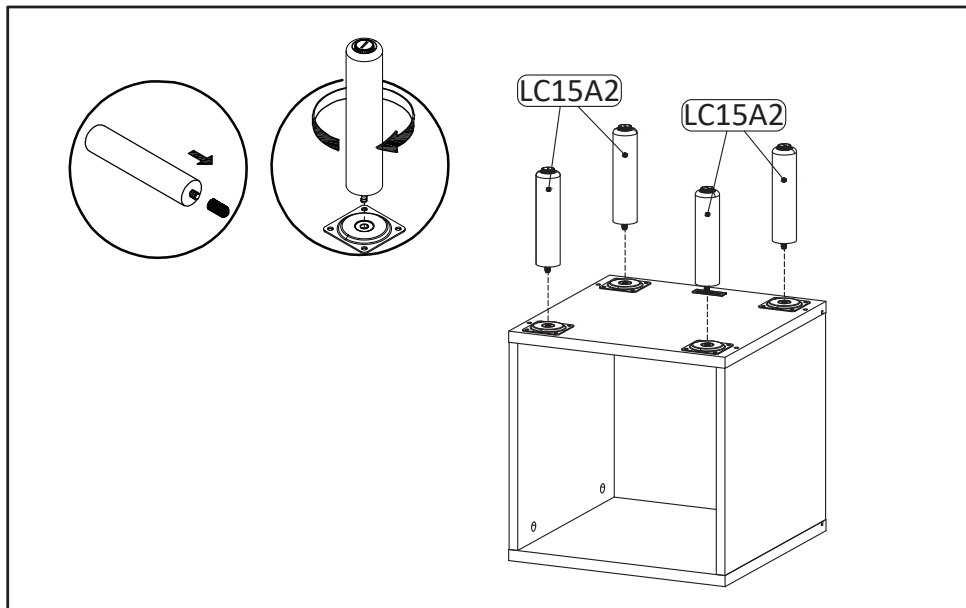
Step3: Insert Back Board (F) as figure. Put Bottom Board (B)
and secure with Screw M7x50 (HW5),
tighten screws using Allen Key (HW6).



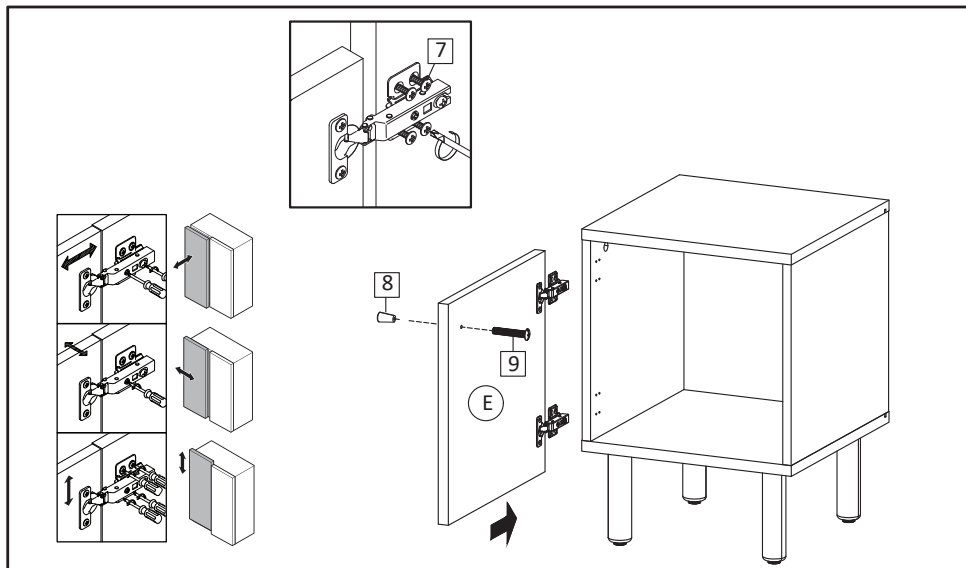
STEP2: Attach Side Board Left (C) and Side Board Right (D),
into Top Board (A).
Insert Camlock (HW2) then tighten using screwdriver.
Put Screw Cap (HW3) over the camlock.



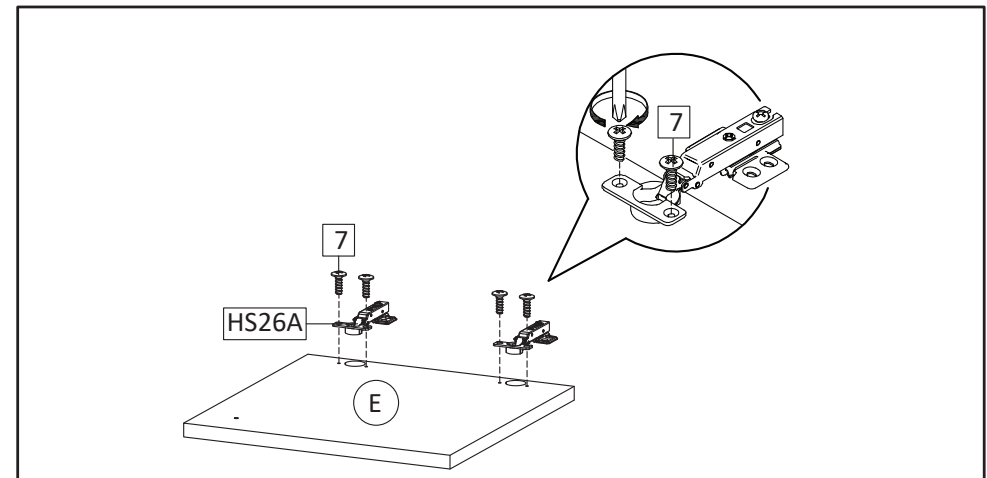
STEP4: Install Mounting Plate (PM2) and secure with
screw M4.5x12.5mm (HW7) on Bottom Board.



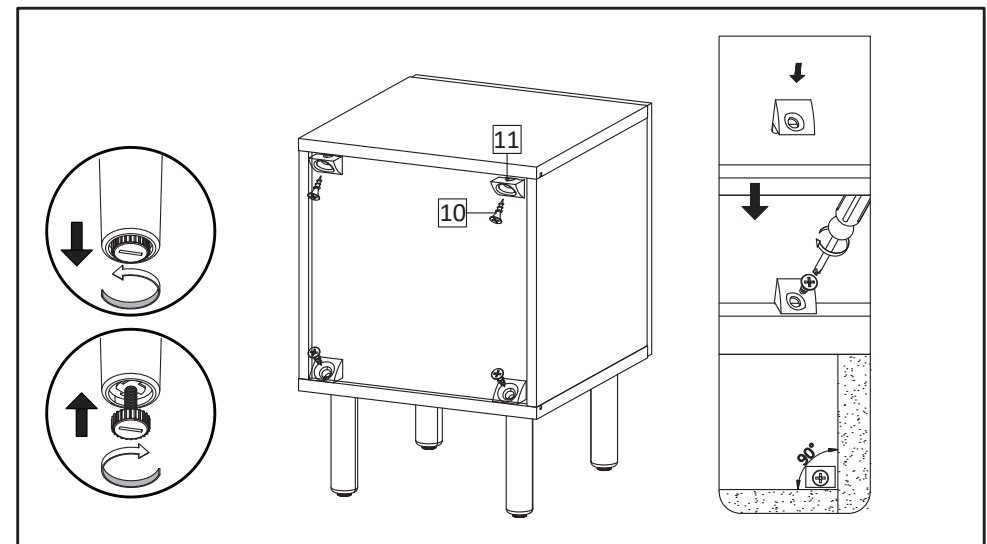
STEP5: Insert Leg (LC15A2) into Mounting Plate, tighten by rotating . the leg clockwise.



STEP7: Install Wooden Door (E), into Side Board Left. Secure with Screw M4.5 x 12.5 mm(HW7).Please refer to the last page for more guide on how to adjust hinges.
Insert Handle (HW8) and Screw M4x25 mm (HW9) into Door.

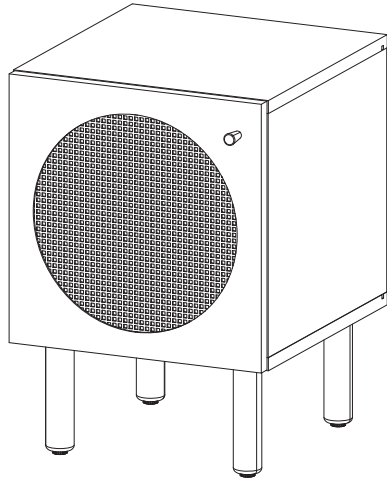


STEP6: Insert Hinge (HW HS26A) into pre-hole in Wooden Door (E). Secure with Screw M4.5 x12.5 mm (HW7).



STEP8: Use Wedge (HW11), Screw M 3.5 x15.5 (HW10) to tighten the back of night stand by using screwdriver. Please align the top board and bottom board in 90° position against the side board, before securing the wedges (HW11).

Place your furniture on level floor. The legs come with adjustable leveller,adjust it as needed until your furniture sit steady on the floor.



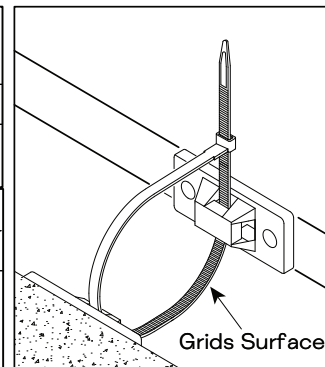
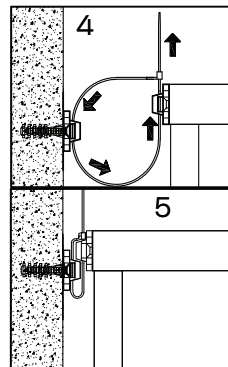
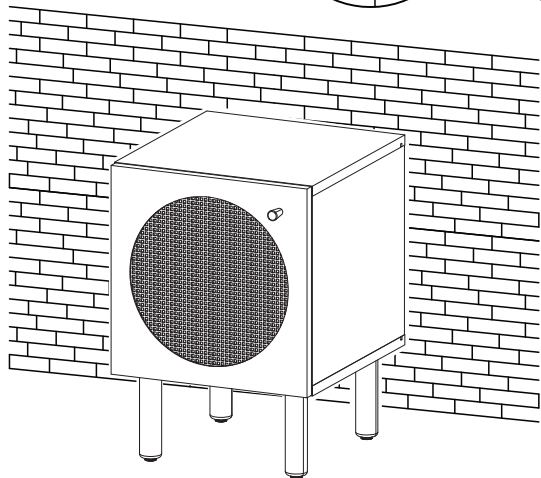
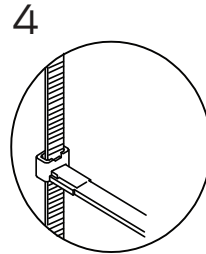
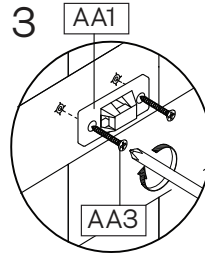
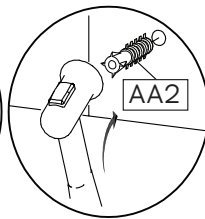
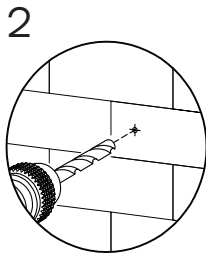
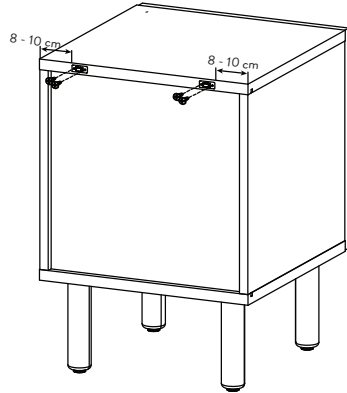
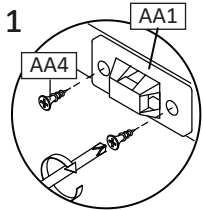
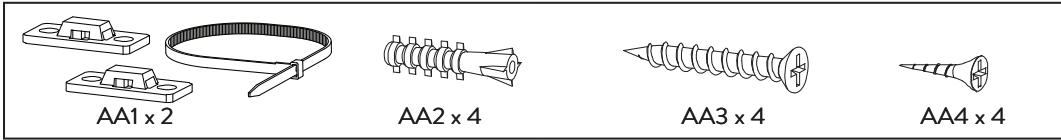
STEP9: Assembly is complete.

TIPPING RESTRAINTS KIT INSTALLATION GUIDANCE

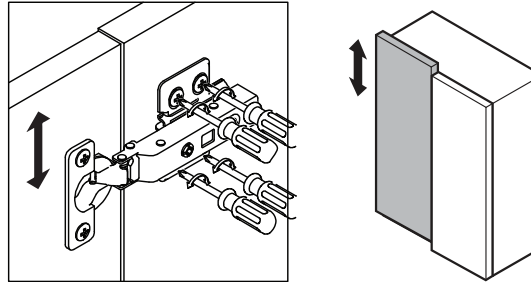
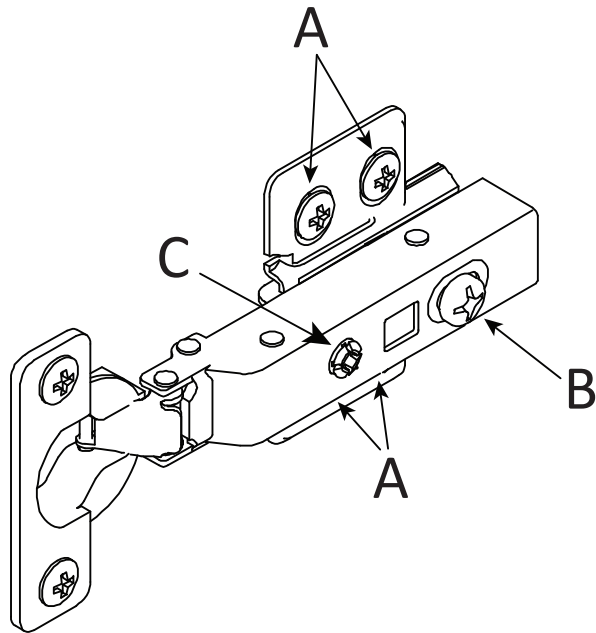
Different wall materials require unique wall fasteners.

The wall plugs (AA2) and screws (AA3) are designed for fixing to concrete walls only.

Please consult your local hardware store to ensure you are using the correct hardware for your wall type.

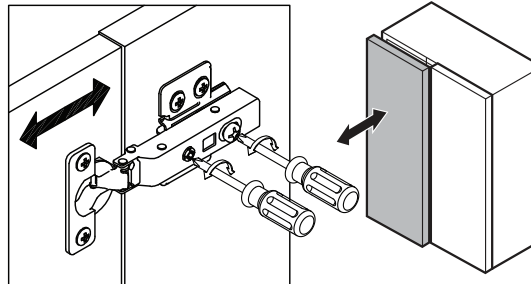


HOW TO ADJUST HINGES



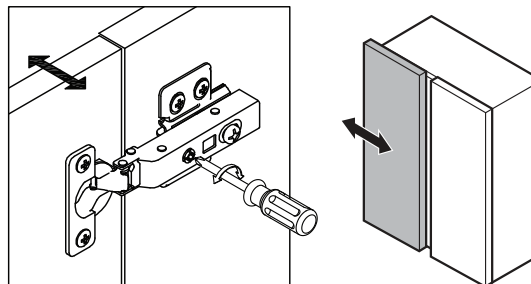
To adjust the vertical height.

Loosen the four screws "A" on both hinges. Two of them are usually in slotted holes which allows you to adjust up or down by few mm. Then tighten back up.



To adjust depth.

Loosen screw "B" and adjust door, if the door can not be adjusted, please loosen screw "C", then try again. Tighten screw "B" and "C".



To adjust side ways.

Turning the screw "C" on BOTH hinges on each door.