

CARE AND MAINTENANCE

Spot clean using a mild water-free solvent. Only a professional cleaner should undertake a complete overall cleaning.

The use of steam or water-based cleaners may cause excessive shrinking or staining.

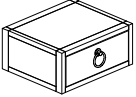
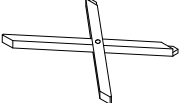







NOTICE

* Please make sure that you have all parts indicated before you begin assembly of this item

* This item should be assembled on a soft surface to prevent scratching the finish during assembly

* This item may require periodic tightening.

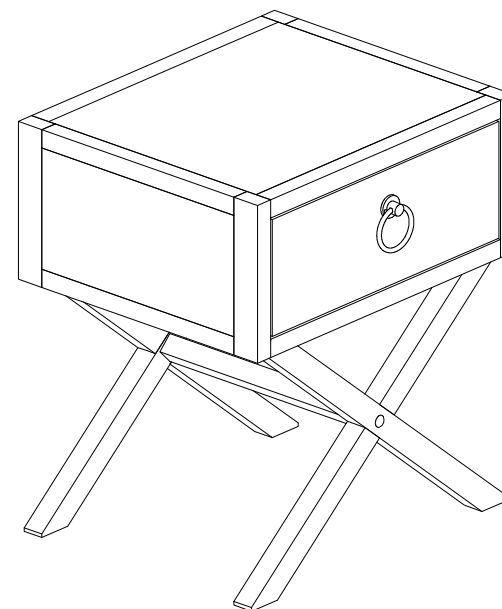
PART LIST AND HARDWARE LIST

PIECE	DESCRIPTION	PICTURE	QUANTITY
A	TABLE TOP		1X
B	LEGS		2X
C	STRETCHER		1X
HW1	LONG BOLT	6.3*1.3*45 mm 	2X
HW2	SHORT BOLT	6.3*1.3*35 mm 	4X
HW3	SPRING WASHER	8.5 mm 	6X
HW4	WASHER	8.5 x 16mm 	6X
HW5	ALLEN KEY	4 mm 	1X
HW6	WOODEN PLUG	Φ18*10 mm 	2X

SAFAVIEH FURNITURE

Model #: NST9200

Product Dimensions: 19"W x 16"D x 22"H



Weight capacity: 275lbs

WARNING: DO NOT STAND ON TABLE

WARNING: DO NOT OVER TORQUE BOLTS

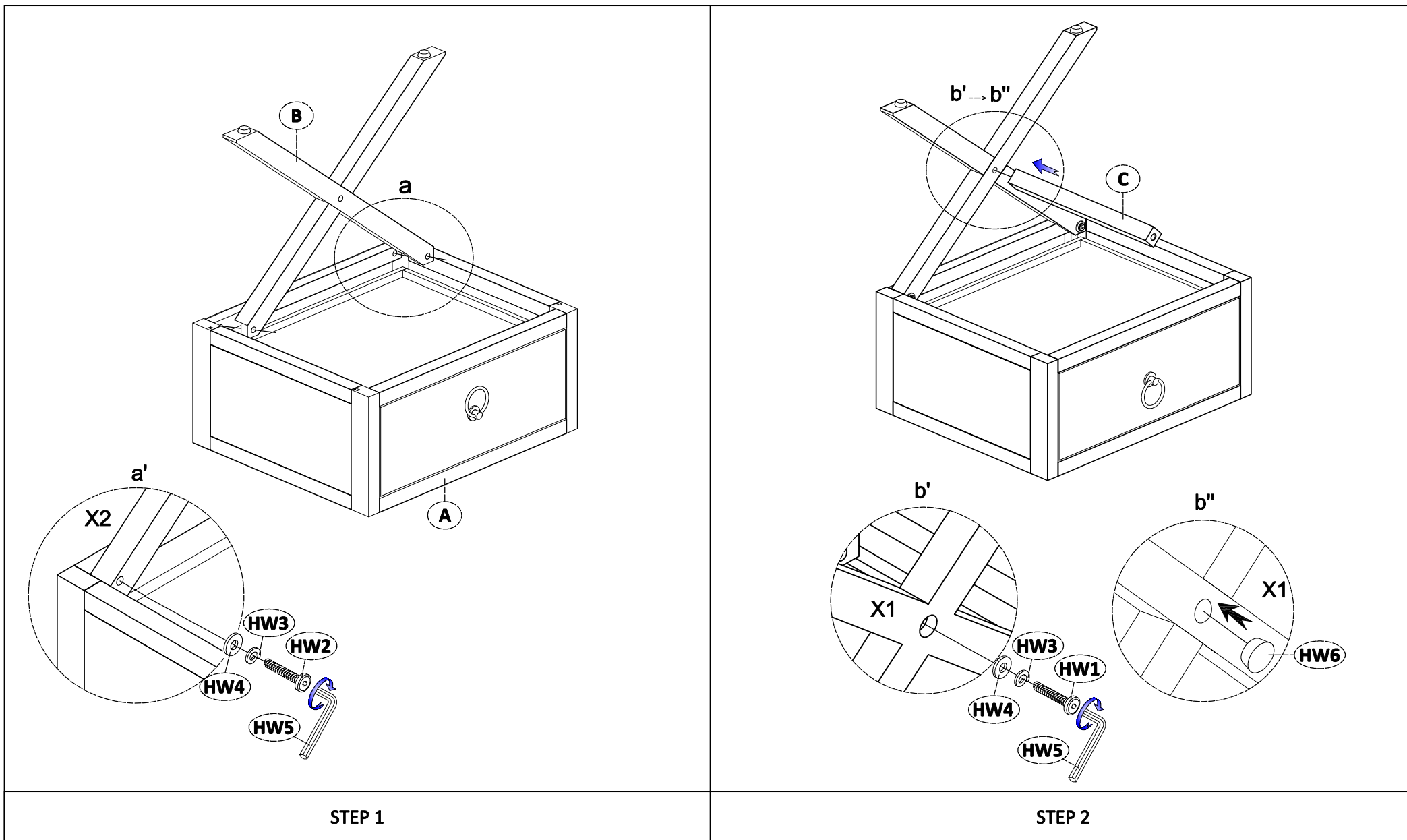
PREPARATION

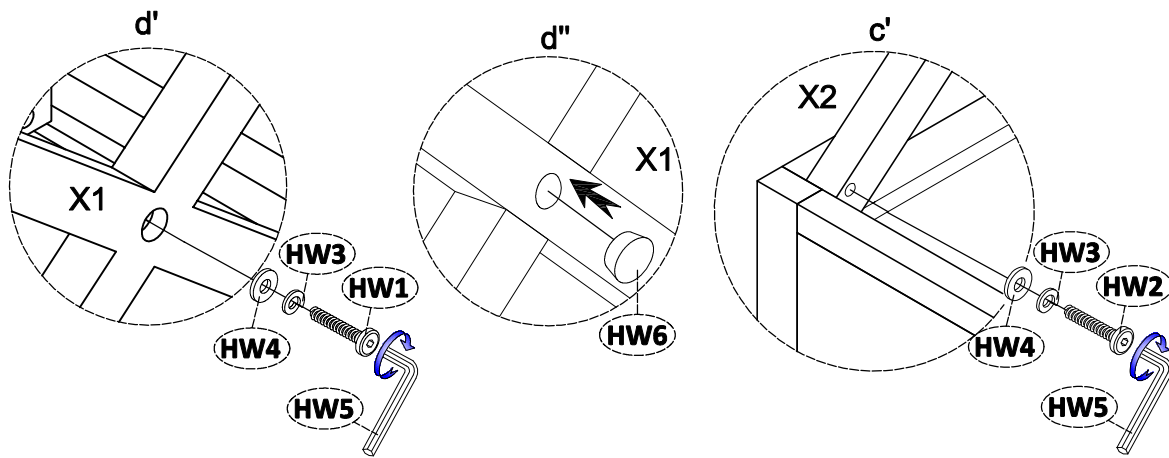
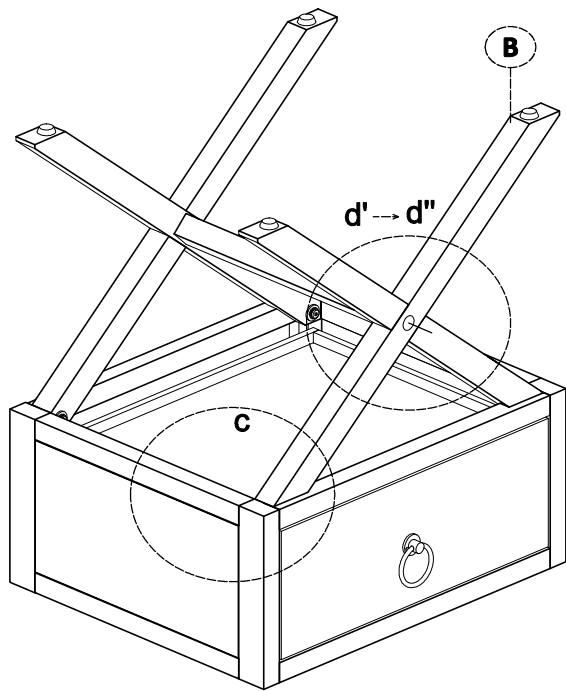
Before beginning assembly of product, make sure all parts are present. Compare parts with package contents list and hardware contents list.

If any part is missing or damaged, do not attempt to assemble the product.

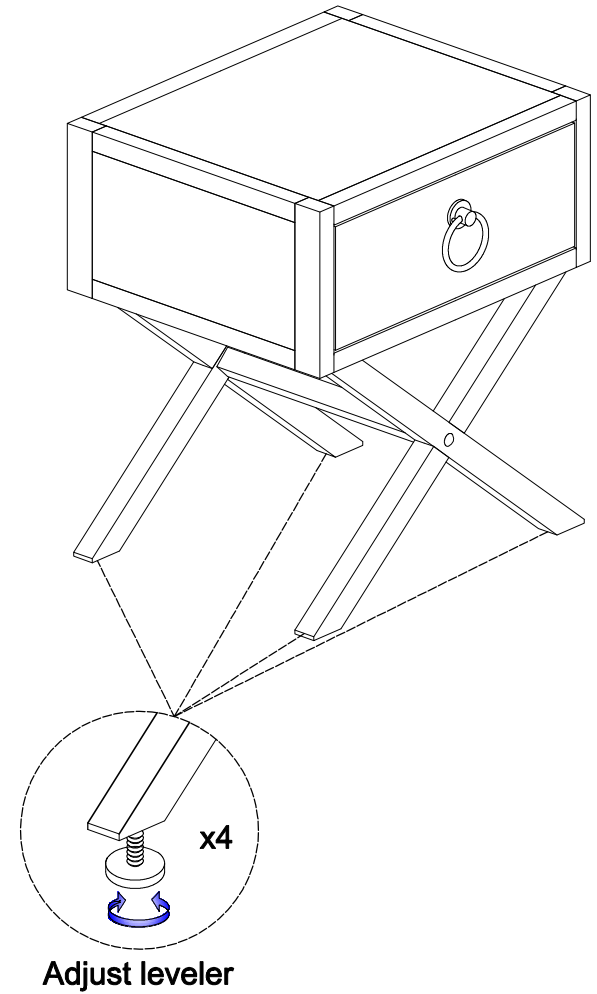
Estimated Assembly Time: 10 minutes.

Tools Required for Assembly (included): Allen Key





STEP 3



STEP 4