

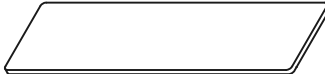







CARE AND MAINTENANCE

Spot clean using a mild water-free solvent. Only a professional cleaner should undertake a complete overall cleaning.
The use of steam or water-based cleaners may cause excessive shrinking or staining.

NOTICE

- * Please make sure that you have all parts indicated before you begin assembly of this item.
- * This item should be assembled on a soft surface to prevent scratching the finish during assembly.
- * This item may require periodic tightening.

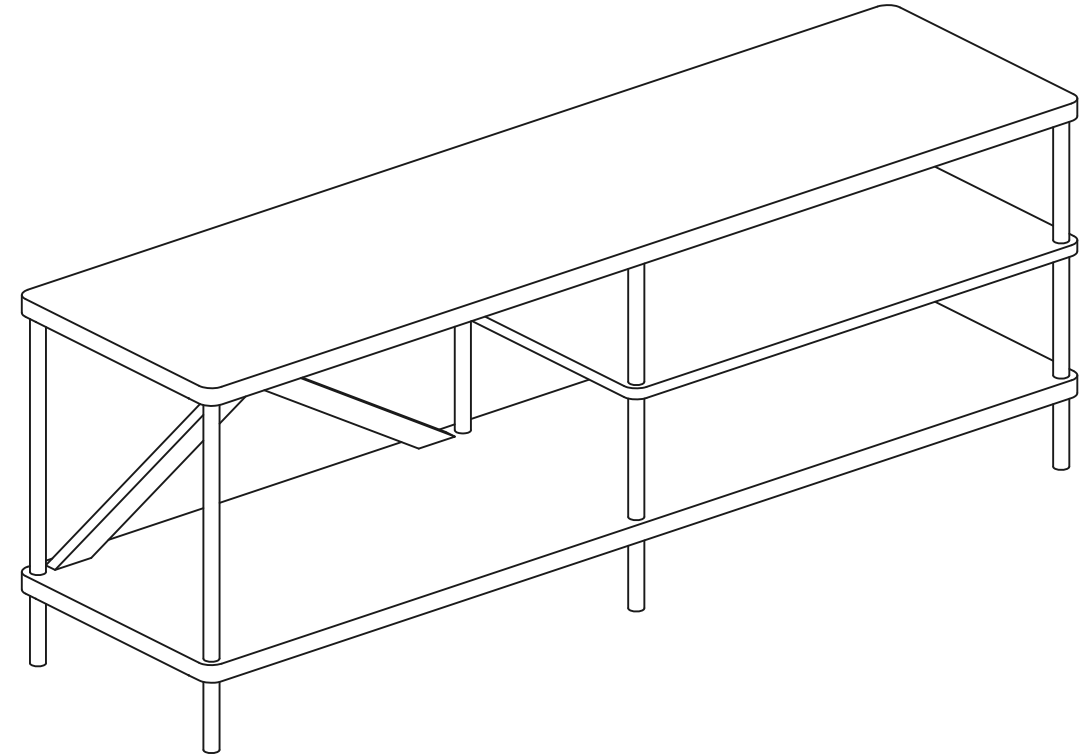
Part List and Hardware List

PIECE	DESCRIPTION	PICTURE	QUANTITY
A	TOP PANEL		1X
B	SHELF PANEL		1X
C	BOTTOM PANEL		1X
D	BACK FRAME		1X
E	LONG SUPPORT ROD		2X
F	UPPER SHORT SUPPORT ROD		4X
G	LOWER SHORT SUPPORT ROD		4X
H	LEG		6X

 **SAFAVIEH**
FURNITURE

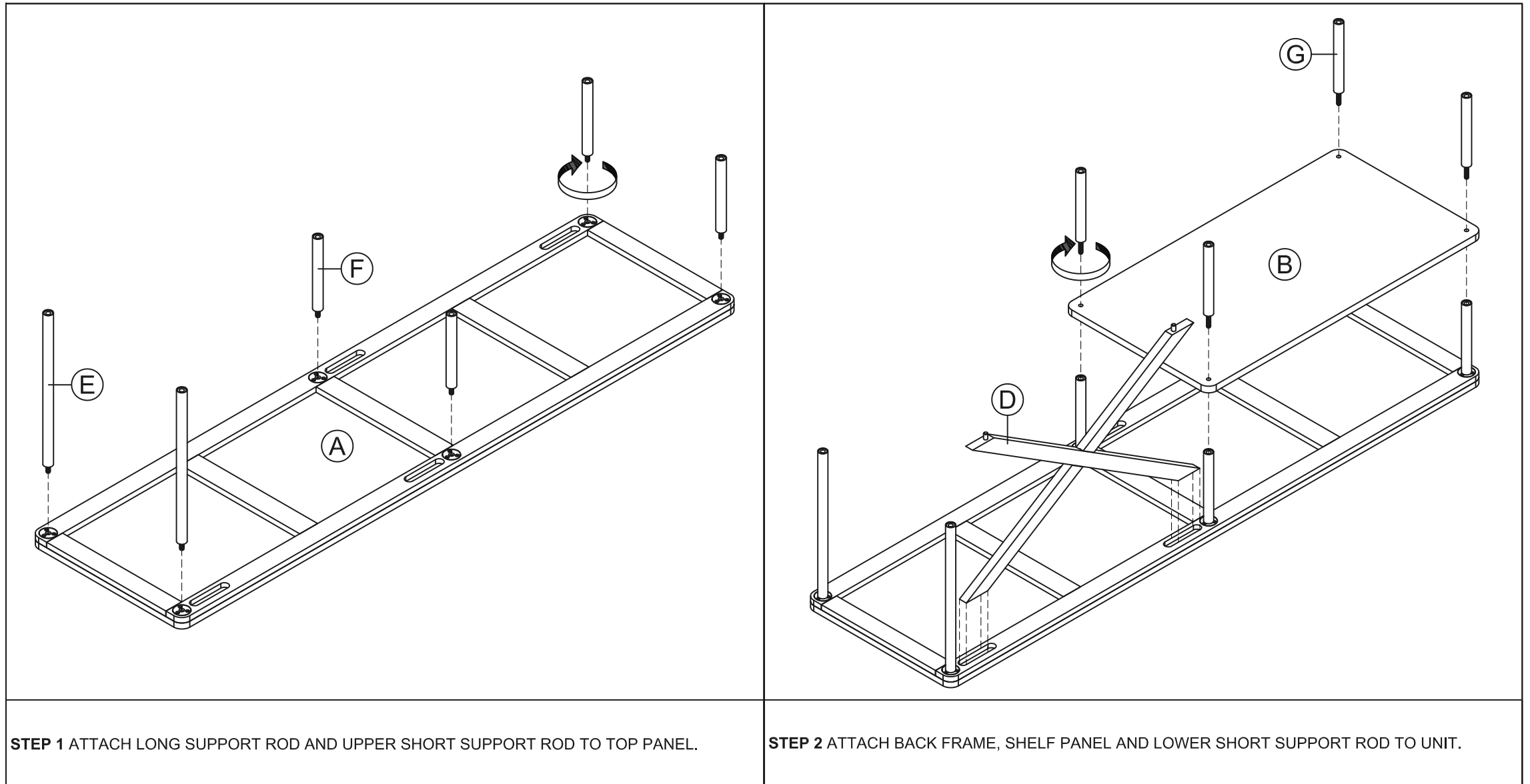
Model# MED5001

Product Dimensions: 55 1/8"W x 15"D x 19 11/16"H



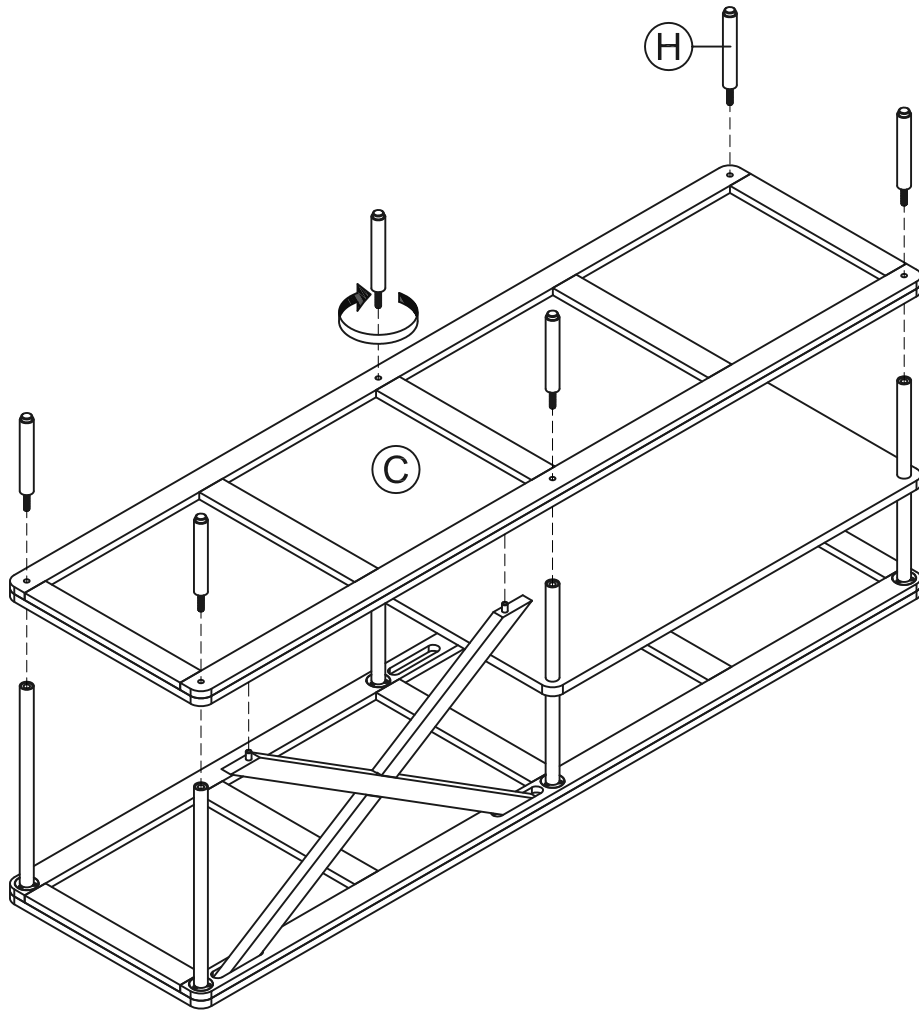
PREPARATION

Before beginning assembly of product, make sure all parts are present. Compare parts with package contents list and hardware contents list.
If any part is missing or damaged, do not attempt to assemble the product.
Estimated Assembly Time: 20 minutes.

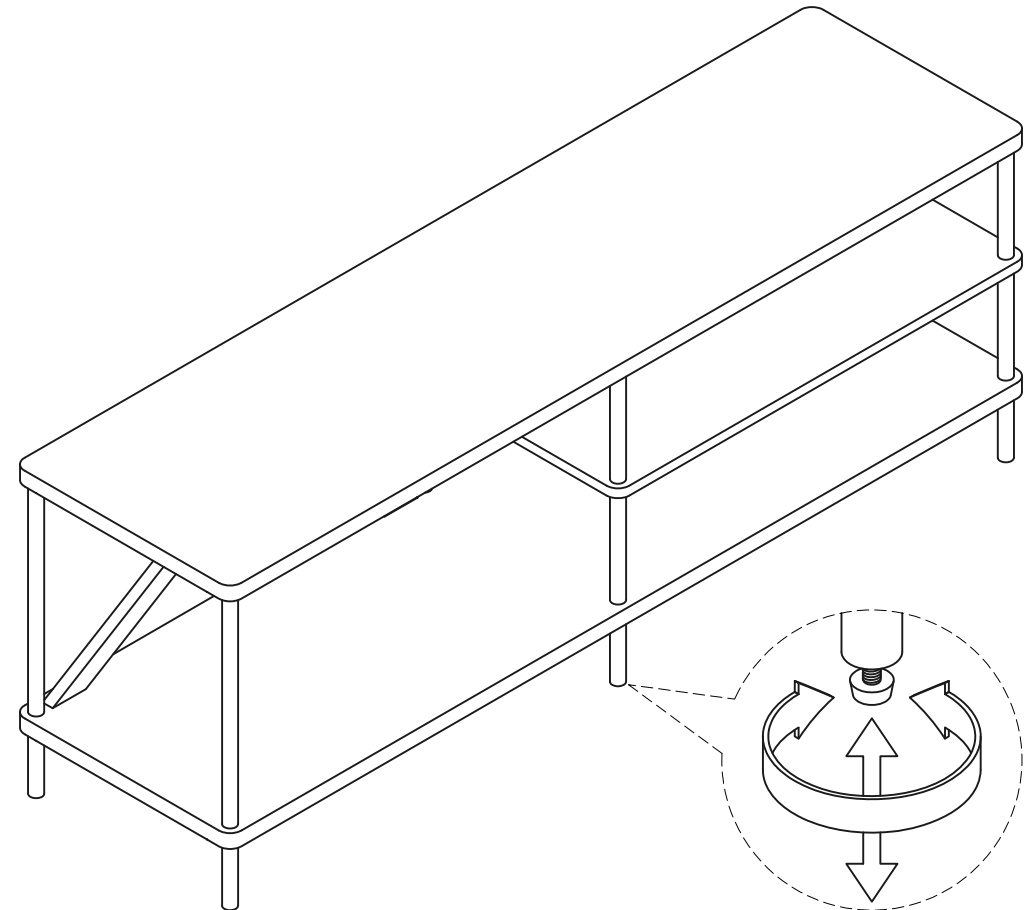


PREPARATION

Before beginning assembly of product, make sure all parts are present. Compare parts with package contents list and hardware contents list.
If any part is missing or damaged, do not attempt to assemble the product.
Estimated Assembly Time: 20 minutes.



STEP 3 ATTACH BOTTOM PANEL AND LEG TO UNIT.



STEP 4 ADJUST THE ADJUSTER THAT HAS ALREADY BEEN ASSEMBLED TO THE LEGS TO STABILIZE YOUR UNIT.