

CARE AND MAINTENANCE

Spot clean using a mild water-free solvent. Only a professional cleaner should undertake a complete overall cleaning.

The use of steam or water-based cleaners may cause excessive shrinking or staining.

NOTICE

*Please make sure that you have all parts indicated before you begin assembly of this

*This item should be assembled on a soft surface to prevent scratching the finish during assembly

*This item may require periodic tightening

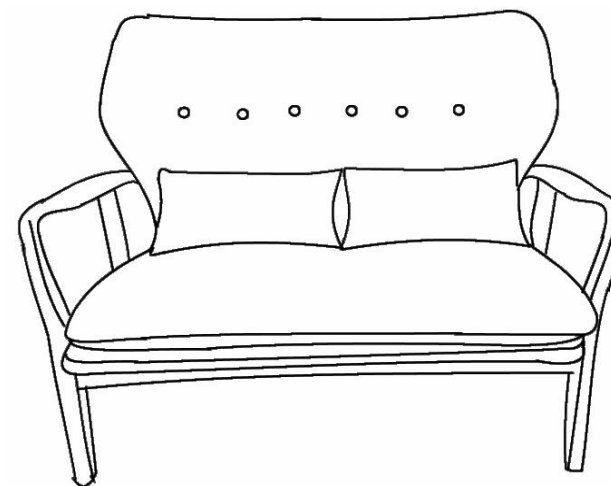


Item# LVS9500

Product Dimensions:26.38"Wx30.3"Dx33"H








Part List

PIECE	DESCRIPTION	PICTURE	QUANTITY
A	Chair Back with seat		1X
B	Cushion		1X
C	Pillow		2X
D	Back Rail		1X
E	Left arm		1X
F	Right arm		1X
G	Seat frame		1X



Weight Capacity:550lbs
WARNING:DO NOT STAND ON CHAIR

Hardware

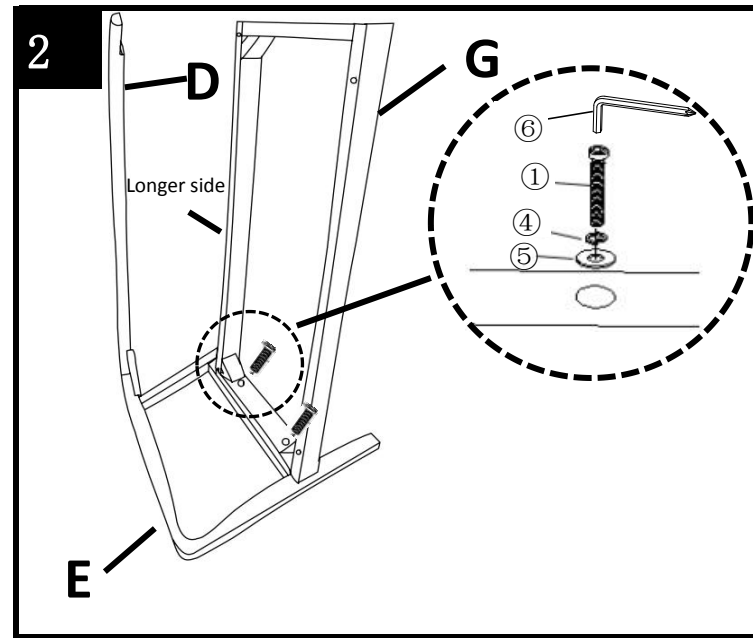
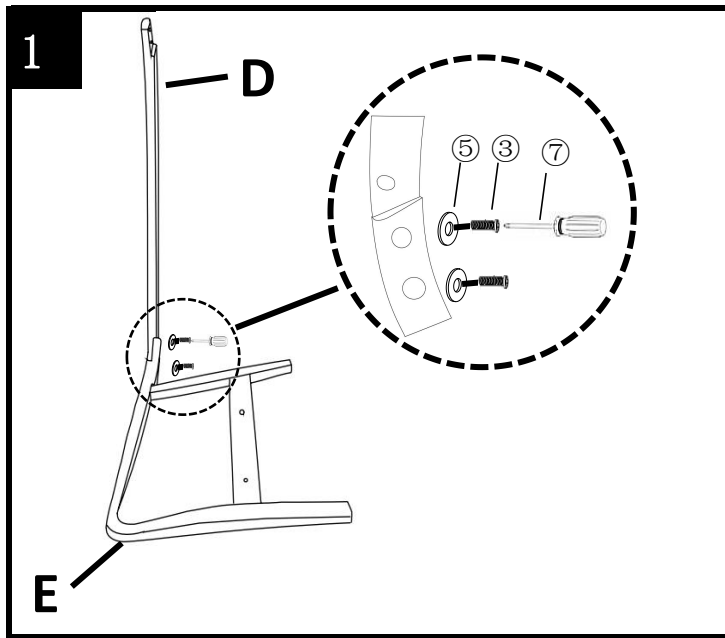
PIECE	DESCRIPTION	PICTURE	QUANTITY
①	Bolt (M8*50MM)		4X
②	Screw (M4*40mm)		6X
③	Bolt (M6*35MM)		4X
④	Spring Washer		4X
⑤	Washer		8X
⑥	Allen Key		1X
⑦	Screwdriver		1X

PREPARATION

Before beginning assembly of product, make sure all parts are present. Compare parts with package contents list

If any parts is missing or damage, do not attempt to assemble the product.

Estimated Assembly Time:10 Minutes.

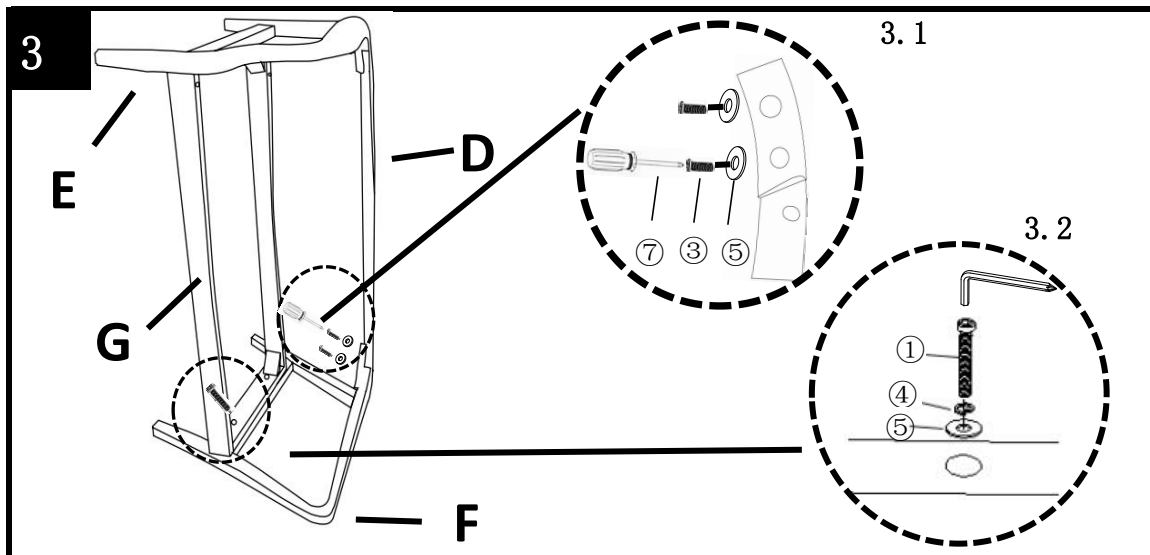


Step1:

Put the Left Armrest(E) onto a clean, non-marring surface. Align the mounting positions of the Left Armrest(E) with Back Rail(D) and attach them using Bolts(③) and Washers(⑤) with Screwdriver(⑦). Do not fully tighten the Bolts.

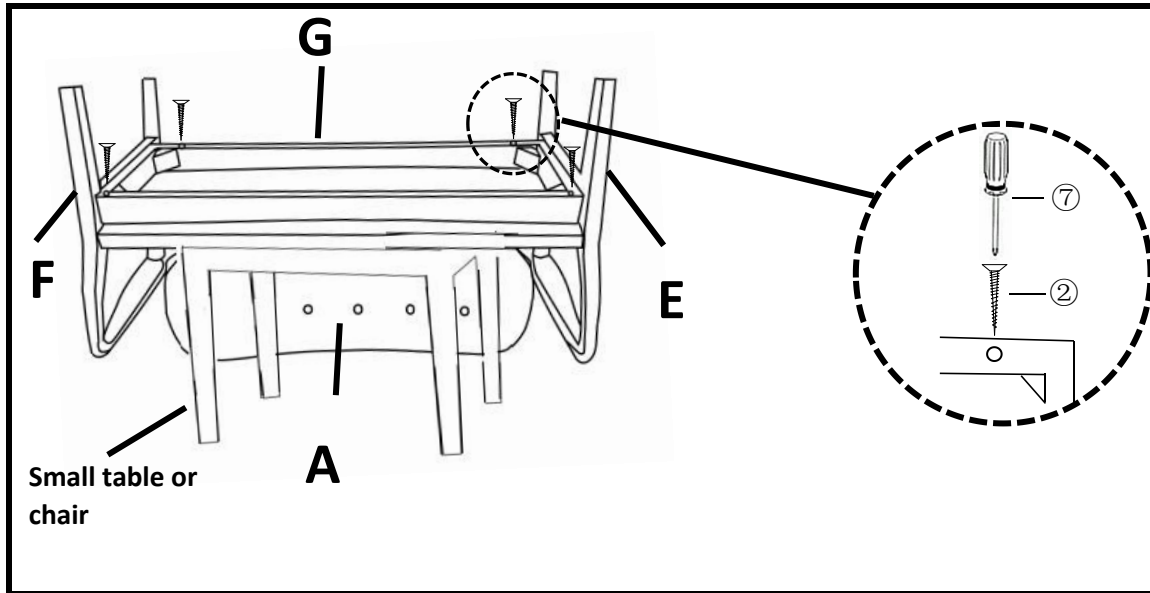
Step2:

Align the mounting positions of Seat Frame(G) to Left Armrest(E), and attach using Bolts(①), Spring Washers(④) and Washers(⑤) with Allen Key(⑥). Note: The longer side of Seat Frame(G) should face the Back Rail(D), otherwise it cannot be assembled.



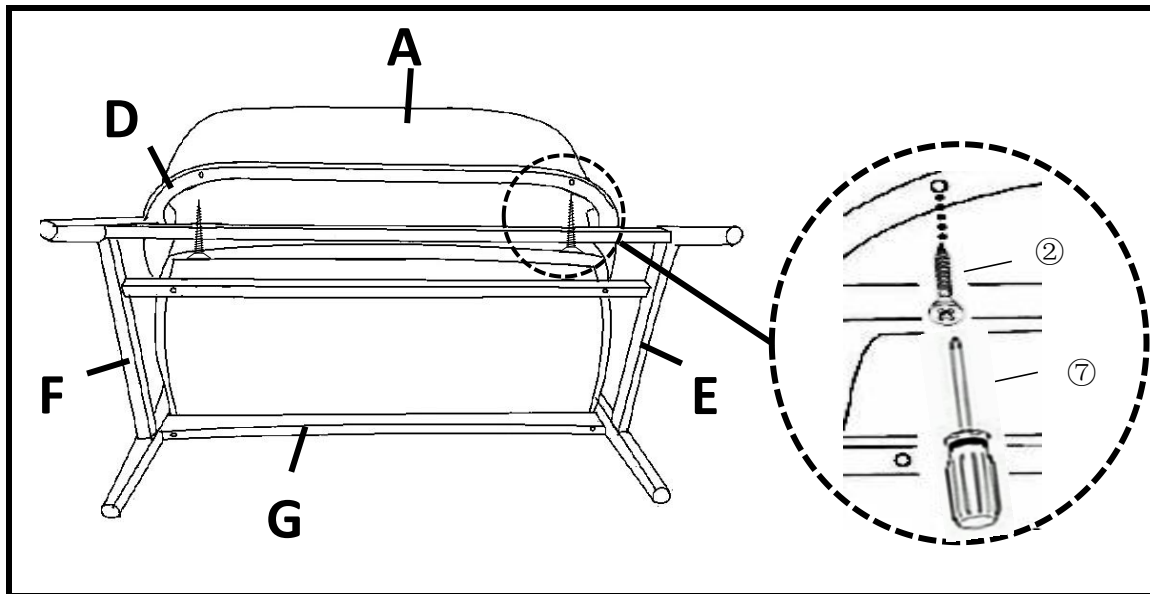
Step3:

Place the Right Armrest(F) on a clean, non-marring surface.
 3.1 Attach the Back Rail(D) to Right Armrest(F) using Bolts(③) and Washers(⑤)with Screwdriver(⑦).
 3.2 Align the mounting positions of the Seat Frame(G) to Right Armrest(F),attach using Bolts(①), Spring Washers(④) and Washers(⑤) with Allen Key(⑥).



Step4:

Place the Chair Back with Seat(A) on a small table, with the backrest facing down. Then with the help from an adult assistant, place the assembled wooden frame onto the Chair Back with Seat(A),, as seen in the picture. Align the mounting positions of Seat Frame(G) to the mounting positions of Chair Back with Seat(A), and attach using Screws(②) with Screwdriver(⑦).



Step5:

Place the assembled Loveseat, with the backrest facing up, and install the Screws(①) in the back using Screwdriver(②) in a sequential manner.