

# CARE AND MAINTENANCE

To remove dust from your fabric sofa. Brush delicately using a brush with soft bristles or use a vacuum cleaner at a medium power output setting using the most suitable accessory supplied with the cleaner and taking care not to rub the accessory directly on the covering. To maintain the aesthetic appearance it is advisable to treat each stain before it is absorbent excessively. This will avoid prolonged or abrasive treatments being required.

















## NOTICE

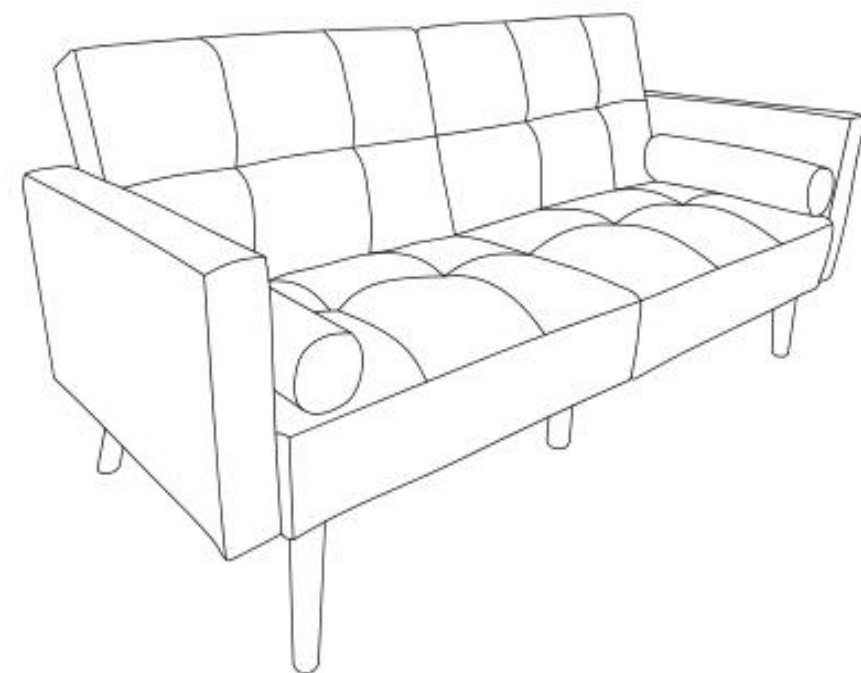
- \* Please make sure that you have all parts indicated before you begin assembly on this item.
- \* This item should be assembled on a soft surface to prevent scratching/dirty the surface during assembly.
- \* This item may require periodic tightening.

### Part List

**ITEM NO.:LVS2004**

Item Dimension:W75"3/5 x D32"3/10 x H34"3/10  
Item Weight Capacities: 550LBS

PIECE	DESCRIPTION	PICTURE	QUANTITY
A	Sofabed		1X
B	Armrest left		1X
C	Armrest right		1X
D	Pillow		2X
E	Middle support leg		2X
F	Leg		4X
HW1	Double teeth screw 8x1.63x100mm		8X
HW2	Long screw 8x1.63x70mm		4X
HW3	Short screw 6x1.52x6mm		8X
HW4	Washer 8mm		12X
HW5	Allen wrench		1X
HW6	Allen wrench (small)		1X
HW7	Nut 8mm		8X
HW8	Open end wrench		1X

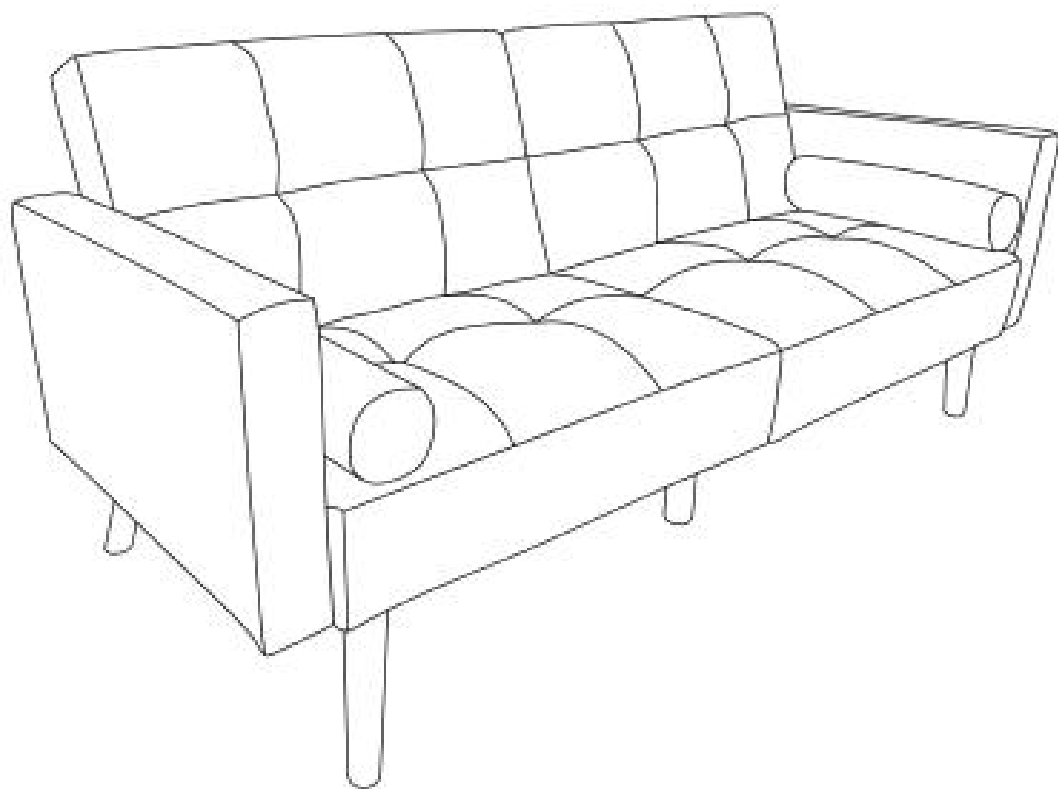


# PREPARATION

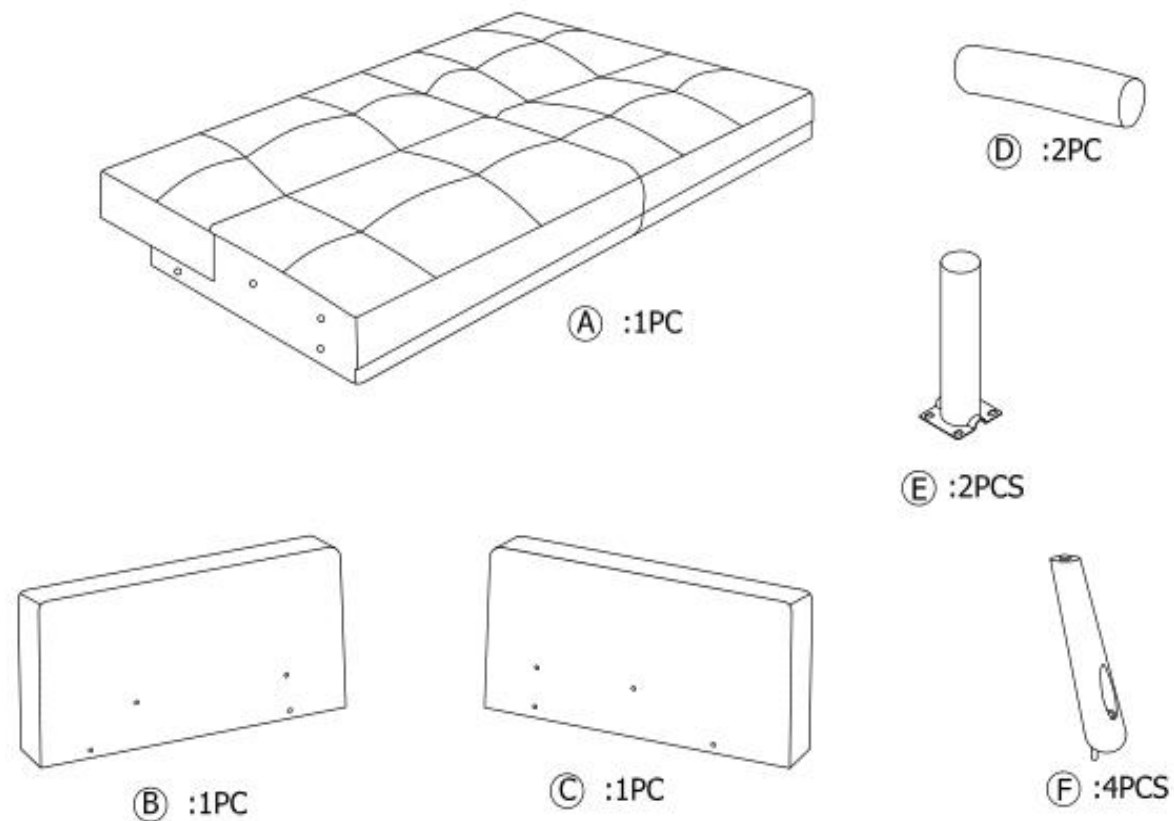
Before beginning assembly of product, make sure all parts are present. Compare parts with package contents list. If any part is missing or damaged, do not attempt to assemble the product.

Estimated Assembly Time: 15 minutes.

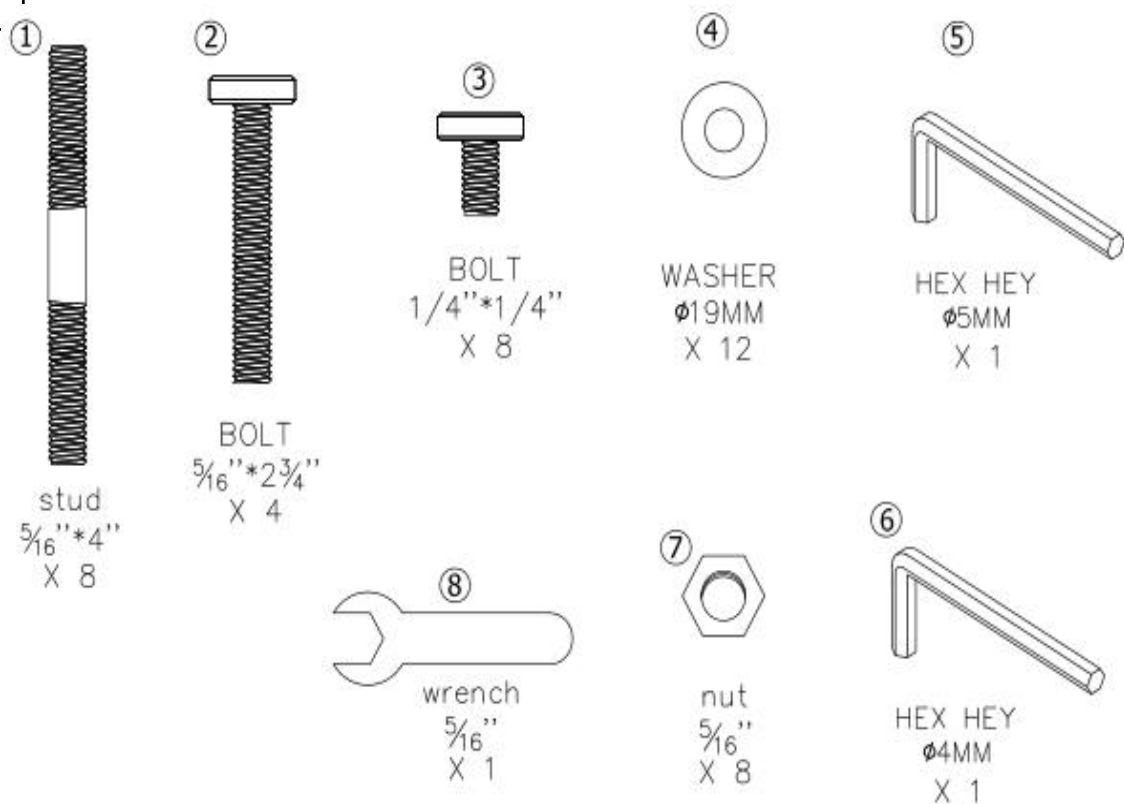
1



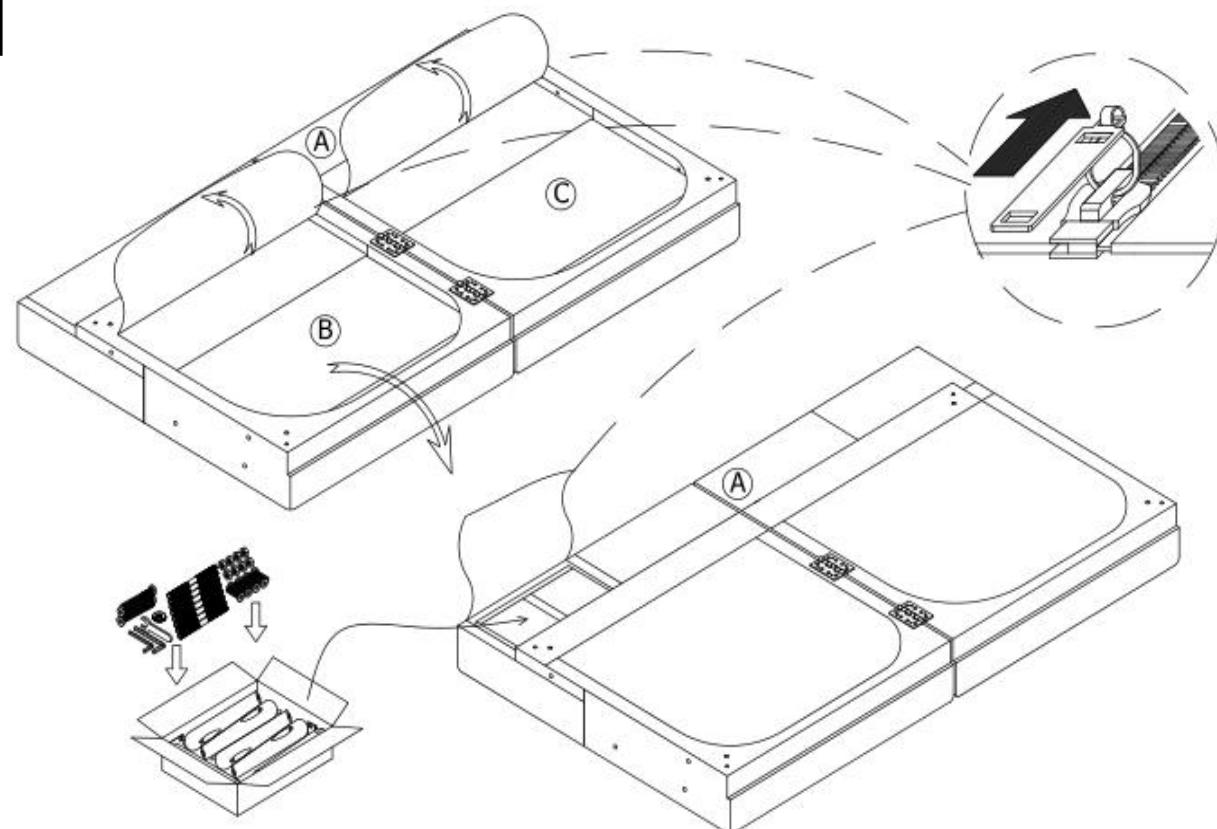
2



3



4

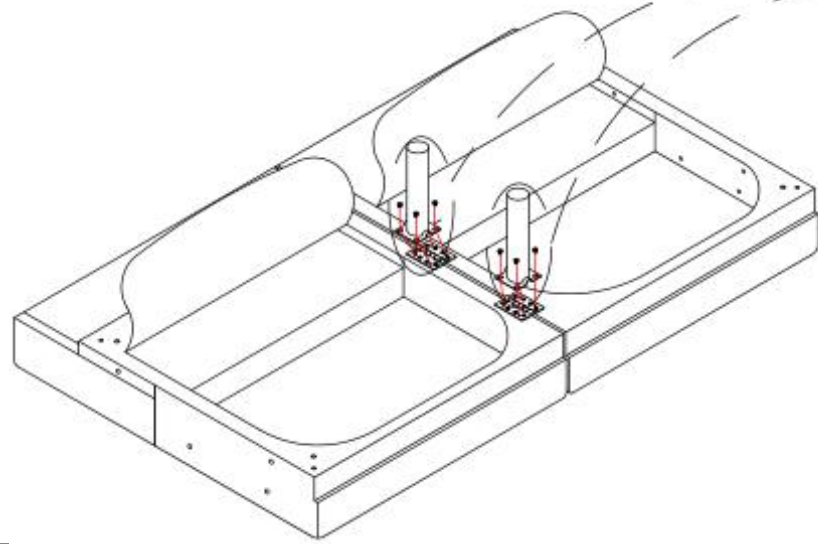


# PREPARATION

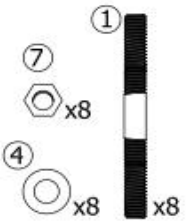
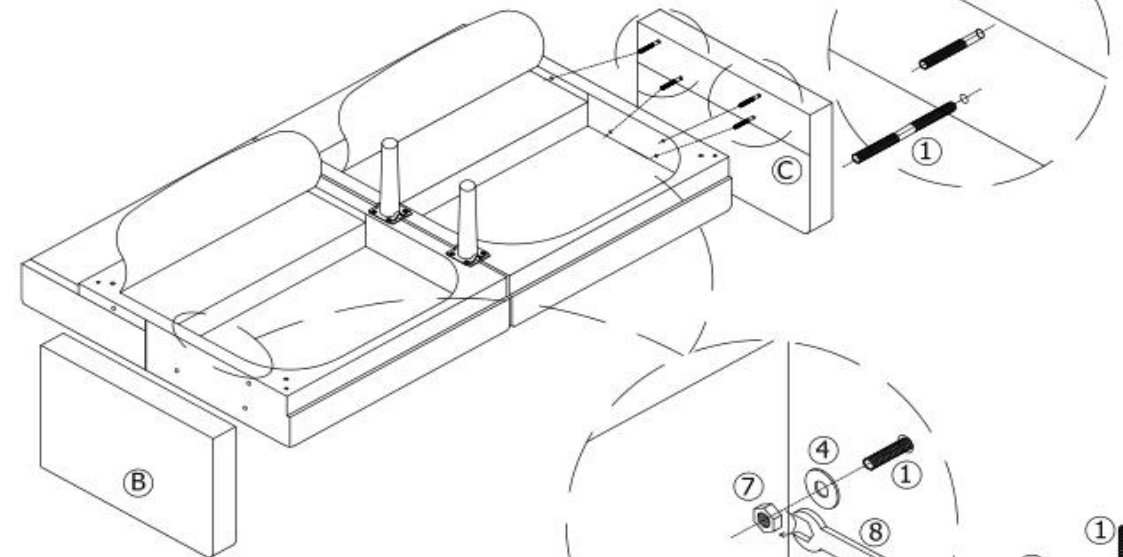
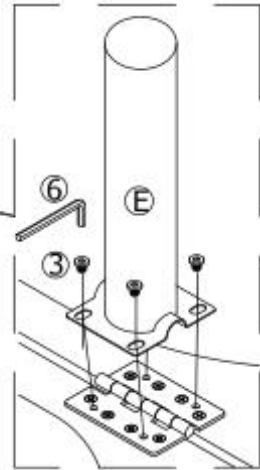
Before beginning assembly of product, make sure all parts are present. Compare parts with package contents list. If any part is missing or damaged, do not attempt to assemble the product.

Estimated Assembly Time: 15 minutes.

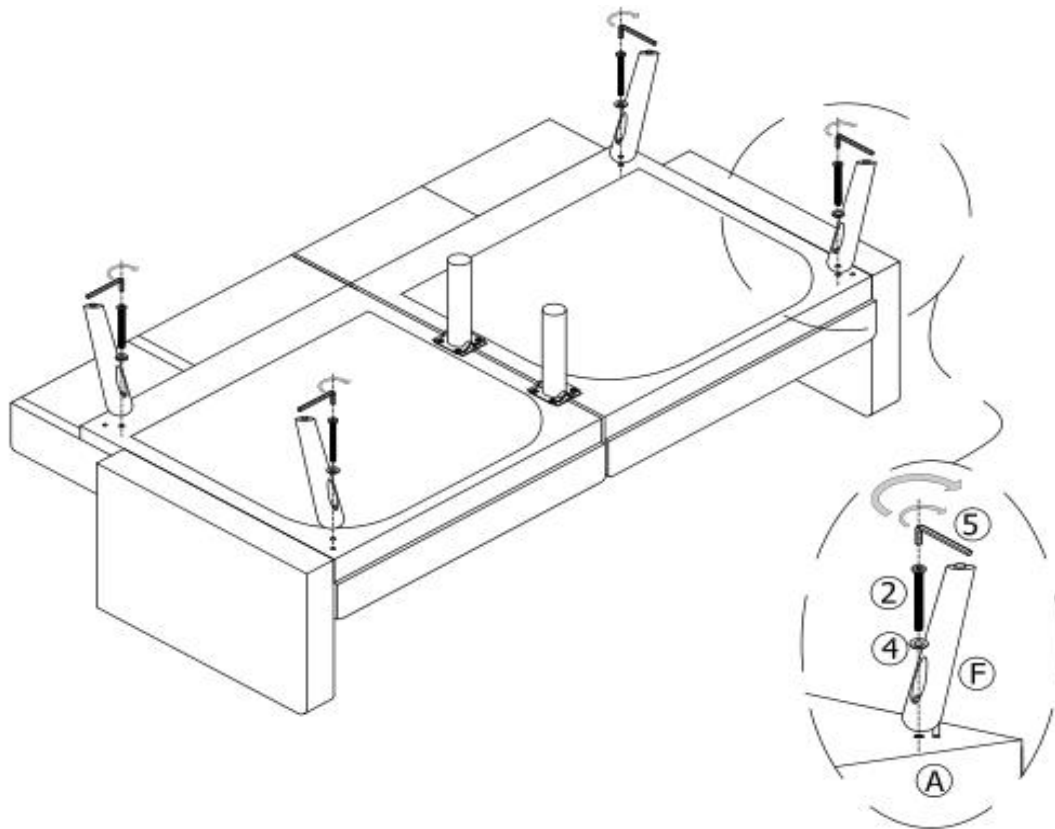
5



6



7



8

