

## WARNING

- \* Switch off the main electrical supply from the main fuse box / circuit.
- \* Breaker before installation.
- \* Inspect item carefully before attempting to install.
- \* If there is any damages or obvious defects, do not install.
- \* Item may not be returned once it has been installed.

## CARE AND MAINTENANCE

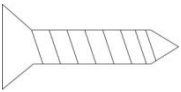

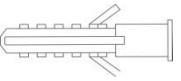

- \* The best and safest cleaner for a mirror is clean, warm water used with a soft cloth. Be careful not to allow the edges of the mirror to get together or remain wet over a period of time.
- \* If using a commercial glass or mirror cleaner, be sure to use a standard brand of glass or mirror cleaner that does not contain ammonia or vinegar. Do not use Windex. Never spray any cleaner directly on to a mirror. Instead, apply the cleaner to a soft cloth and then wipe the mirror.
- \* Always use soft, grit-free cloths when cleaning a mirror to reduce chances of scratching the surface.
- \* Be sure to dry all joints and edges thoroughly to be certain that no commercial cleaner comes in contact with the edges and backing.

## NOTICE & IMPORTANT SAFETY INSTRUCTIONS

**\*\* WE RECOMMEND INSTALLATION OF THIS LIGHTING FIXTURE BE DONE BY A LICENSED ELECTRICIAN \*\***

- \* Please make sure that you have all parts indicated before you begin assembly of this item
  - \* This item should be assembled on a soft surface to prevent scratching the finish during assembly
  - \* To reduce the risk of fire, electrical shock or injury to persons or property, please follow the guideline below for safe use and installation
  - \* The external flexible cable or cord of this lamp cannot be replaced
- If the cord is damaged, the lamp shall be destroyed

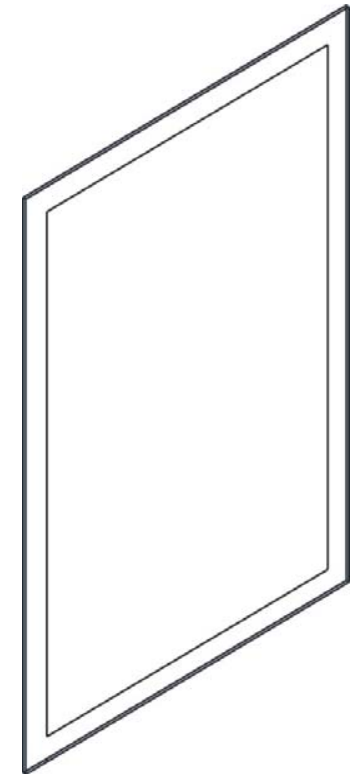
### Part List and Hardware List

| PIECE | DESCRIPTION    | PICTURE   | QUANTITY | PIECE | DESCRIPTION | PICTURE   | QUANTITY |
|-------|----------------|---|----------|-------|-------------|---|----------|
| A     | mounting screw |  | 4X       | C     | wire nut    |  | 3X       |
| B     | gecko          |  | 4X       | D     | lamp body   |  | 1X       |



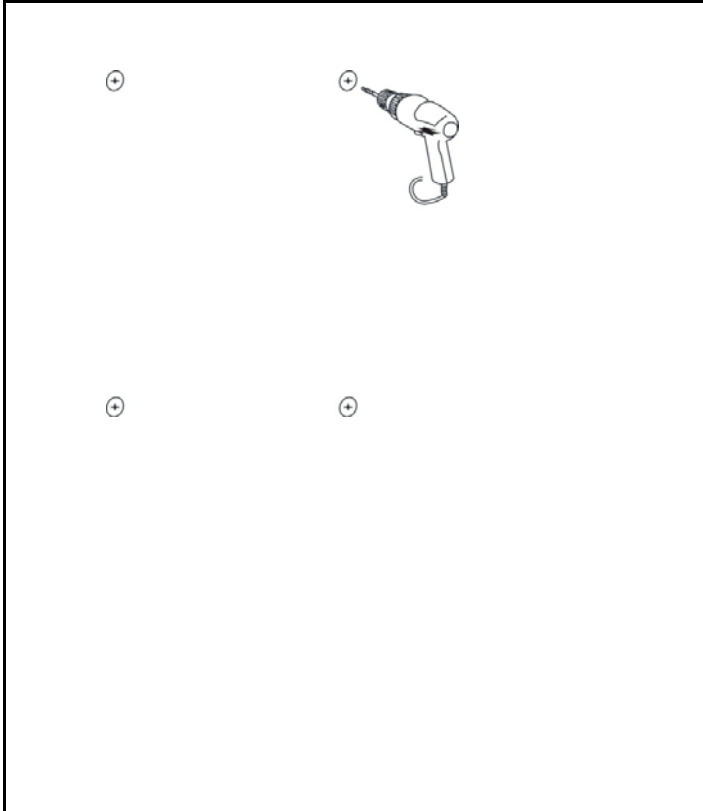
**Model#: LMR1000**

**Product Dimensions: 24"L X 36"H X 1.5"D**

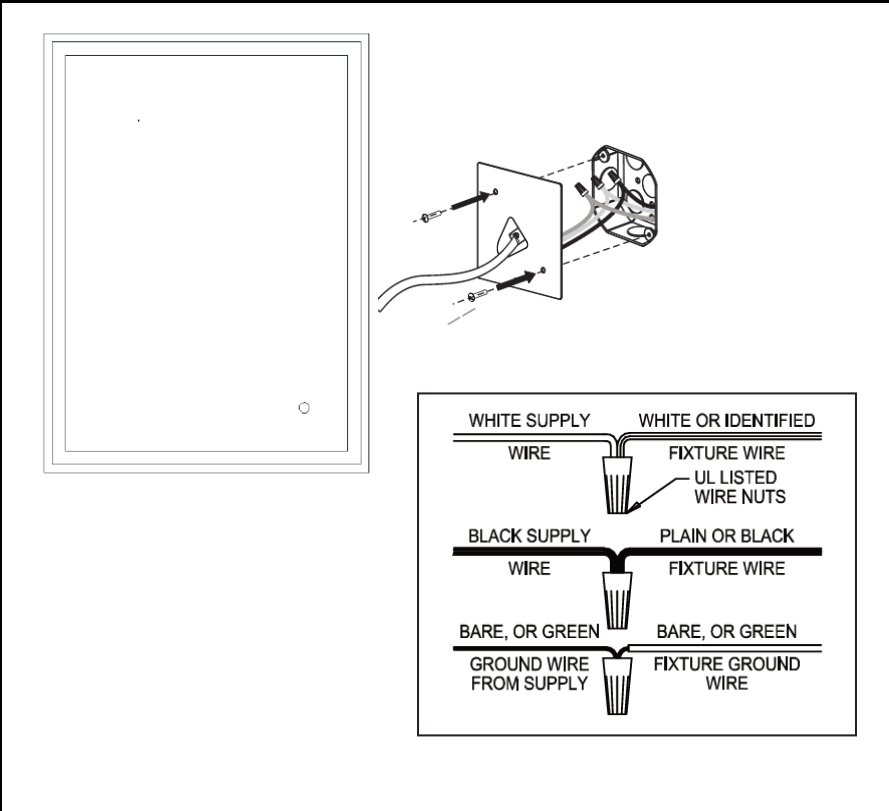


# PREPARATION

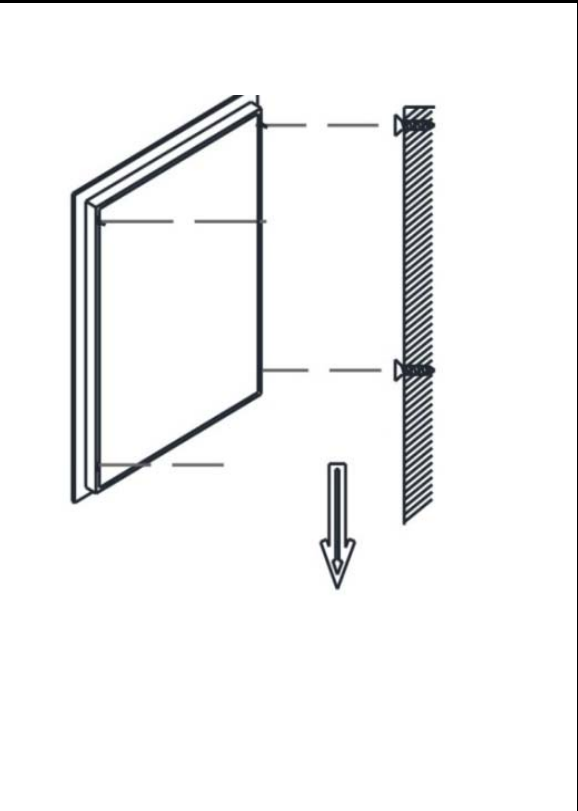
- \* Before beginning assembly of product, make sure all parts are present. Compare parts with package contents list and hardware contents list.
- \* If any part is missing or damaged, do not attempt to assemble the product.
- \* Estimated Assembly Time: 20 minutes.
- \* Tools Required for Assembly (excluded): Screw driver, Pencil, Drill with 1/4" bit, Level, Measuring Tape
- \* If you are having difficulty, our friendly Customer Care team is always here to help. Please email [customersupport@safavieh.com](mailto:customersupport@safavieh.com)



**Step 1:** Mark the position of hanging screw on the wall with pencil. Drill four hang holes with an electric drill and fix mounting screw with gecko.



**Step 2:** Connect the cable to power source in wall with wire nut.



**Step 3:** Hang the mirror onto wall screws.