

**CARE AND MAINTENANCE**

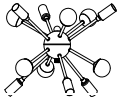

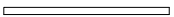

Unplug lamps before using any cleaning solutions. Dust shades with a feather duster or with an appropriate vacuum-brush attachment. Wipe with a soft, dry cloth and clean lamp bases with the methods appropriate to the material. Avoid the use of chemicals and household cleaners as they may damage the finish.

**NOTICE& IMPORTANT SAFETY INSTRUCTIONS**

- \* Please make sure that you have all parts indicated before you begin assembly of this item
- \* This item should be assembled on a soft surface to prevent scratching the finish during assembly
- \* To reduce the risk of fire, electrical shock or injury to persons or property, please follow the guideline below for safe use and installation
- \*The external flexible cable or cord of this luminaire cannot be replaced;  
If the cord is damaged, the luminaire shall be destroyed

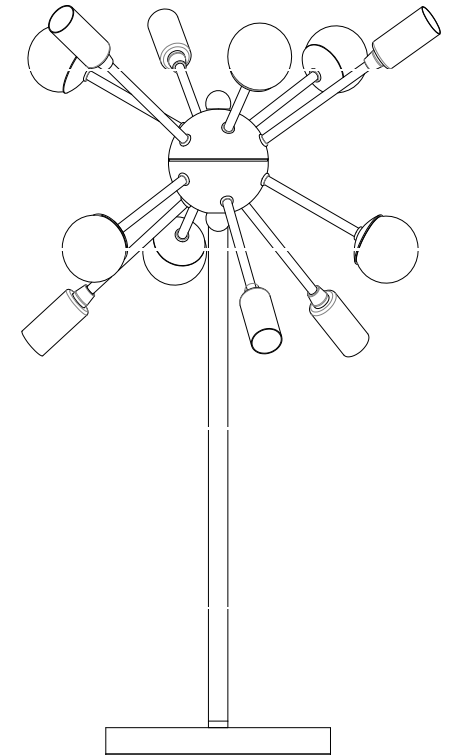
\*\*This portable lamp has a polarized plug (one blade is wider than the other) as a safety feature to reduce the risk of electric shock. this plug will fit in a polarized outlet only one way. if the plug does not fit fully in the outlet, reverse the plug, if it still does not fit, contact a qualified electrician. never use with an extension cord unless the plug can be fully inserted. do not attempt to defeat this safety feature.

**Part List and Hardware List**

PIECE	DESCRIPTION	PICTURE	QUANTITY	PIECE	DESCRIPTION	PICTURE	QUANTITY
A	Lamp Body		1X	C	Base		1X
B	Tube		1X	D	Bulb		6X



**Model# LIT4493A**  
**Product Dimensions: Ø13.25" X 22.75"H**



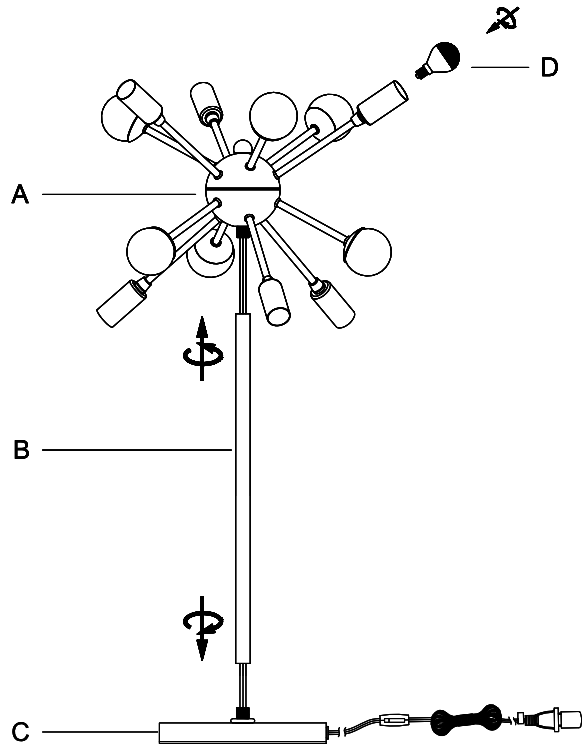
## PREPARATION

---

Before beginning assembly of product, make sure all parts are present. Compare parts with package contents list and hardware contents list. If any part is missing or damaged, do not attempt to assemble the product.

Estimated Assembly Time: 6 minutes.

**PLEASE USE TYPE "G" BULB MAX 25-WATT OR LED BULB MAX 5W-WATT  
THERE ARE 6PCS LED 2-WATT LED BULBS IN THE BOX**



### Step 1

Screw the bottom threaded portion of the Tube (B) into the Base (C)  
Screw the Lamp Body (A) into the top threaded portion of the Tube (B)  
Insert the Bulbs (D) into sockets

Be careful not to twist the power cord and tighten securely

**ENJOY YOUR LAMP**