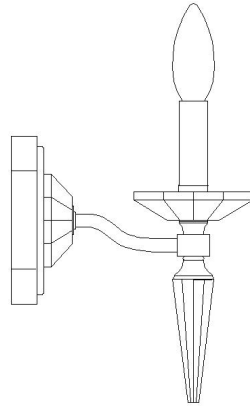


SAFAVIEH LIGHTING

Assembly Instruction

CAUTION: Read instruction carefully and turn electricity off at main circuit breaker panel before beginning installation.

ITEM #:LIT4421A



Care and Cleaning




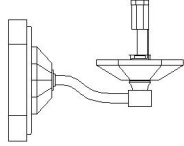




To clean the outside of the fixture, use a dry or slightly dampened clean cloth (use clean water, never a solvent) to wipe the surface of the fixture.

To clean the inside of the fixture, first disconnect power to the fixture by turning off the circuit breaker or by removing the fuse at the fuse box. Next, use a dry or slightly dampened clean cloth (use clean water, never a solvent) to wipe the interior surface of the fixture.

Do not use any cleaners with chemical, solvents or harsh abrasives. Use only a dry soft cloth to dust or wipe carefully.

Estimated Assembly Time: 30 minutes

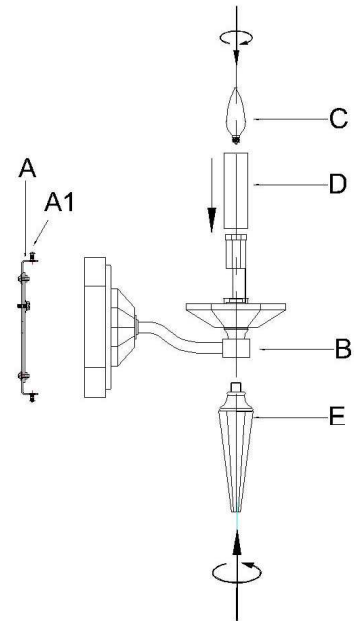
Part List and Hardware List

PIECE	DESCRIPTION	PICTURE	QUANTITY	PIECE	DESCRIPTION	PICTURE	QUANTITY
A	Mounting bar		1X	D	Socket cover		1X
A1	Mounting screw		2X				
B	Lamp body		1X	E	Crystal finial		3X
C	Bulb		1X	F	Bracket screw		2X
				G	Wire nut		3X

Installation

Step 1

Unpack all parts from cartons carefully
 Place the socket cover(D) to the lampholder and then the bulb(C)
 Place crystal finial(E) to the lampbody(B)

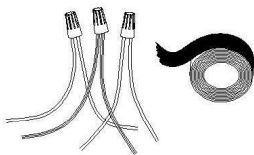


Step 2 Wire connection

Connect, Hot, Black or Red outlet Supply Wire to:	Connect, Neutral, White Outlet Supply Wire to:
Black	White
* Parallel Cord(round & smooth)	* Parallel Cord(square& ridged)
Clear, Brown, Gold or Black without Tracer(colored stripes)	Clear, Brown, Gold or Black without Tracer(colored stripes)
Insulated Wire(not green) with copper metal conductor	Insulated Wire(not green) with Silver metal conductor

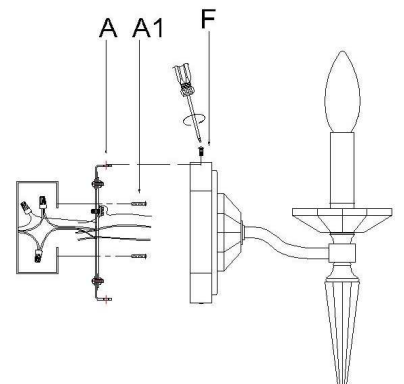


*Note: When parallel wire(SPT I & SPT II) is used. The neutral wire is square shaped and ridged and the hot wire will be round in shape and smooth. (See illustration on left.)



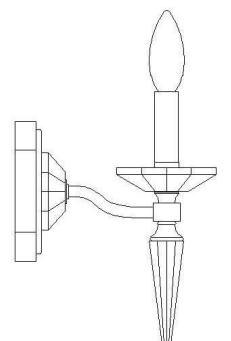
Step 3

Installing the mounting bar(A) with screws(A1) to the bracket and tighten with bracket screw(F) by screwdriver



Step 4

Consult a qualified electrician to ensure correct branch circuit conductor



ENJOY YOUR LAMP