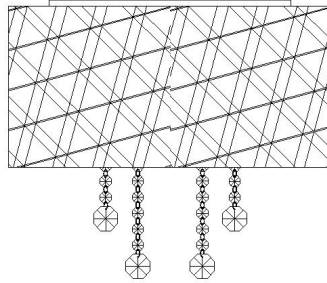


# SAFAVIEH LIGHTING

## Assembly Instruction

**CAUTION:** Read instruction carefully and turn electricity off at main circuit breaker panel before beginning installation.

ITEM #:LIT4420A



### Care and Cleaning

To clean the outside of the fixture, use a dry or slightly dampened clean cloth (use clean water, never a solvent) to wipe the surface of the fixture.

To clean the inside of the fixture, first disconnect power to the fixture by turning off the circuit breaker or by removing the fuse at the fuse box. Next, use a dry or slightly dampened clean cloth (use clean water, never a solvent) to wipe the interior surface of the fixture.

Do not use any cleaners with chemical, solvents or harsh abrasives. Use Only a dry soft cloth to dust or wipe carefully.

Estimated Assembly Time: 30 minutes

### Part List and Hardware List

PIECE	DESCRIPTION	PICTURE	QUANTITY	PIECE	DESCRIPTION	PICTURE	QUANTITY	PIECE	DESCRIPTION	PICTURE	QUANTITY
A	Mounting bar		1X	D	Bulb		5X	G	Dropper		14X
A1	Mounting screw		2X								
B	Canopy screw		2X	E	Bulb cover		5X	H	Dropper		7X
C	Body frame		1X	F	Dropper		34X	I	Wire nut		3X

# Installation

## Step 1

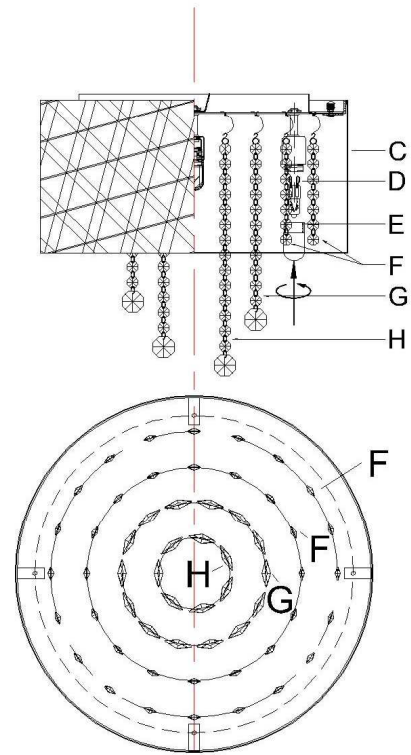
Unpack all parts from cartons carefully

Hang list:

Hang dropper(H) on the innermost first round hole

Hang dropper(G) on the innermost second round hole

Hang dropper(F) on the rest round hole

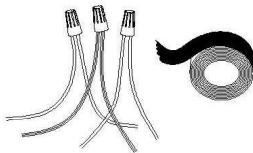


## Step 2 Wire connection

Connect, Hot, Black or Red outlet Supply Wire to:	Connect, Neutral, White Outlet Supply Wire to:
Black	White
* Parallel Cord(round & smooth)	* Parallel Cord(square & ridged)
Clear, Brown, Gold or Black without Tracer(colored stripes)	Clear, Brown, Gold or Black without Tracer(colored stripes)
Insulated Wire(not green) with copper metal conductor	Insulated Wire(not green) with Silver metal conductor

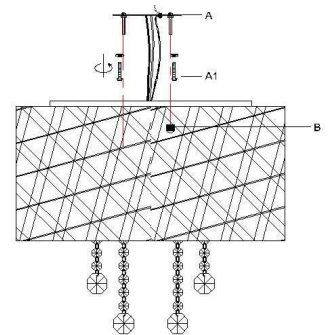


\*Note: When parallel wire(SPT I & SPT II) is used. The neutral wire is square shaped and ridged and the hot wire will be round in shape and smooth. (See illustration on left.)



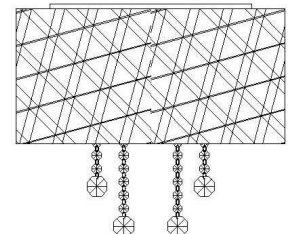
## Step 3

Installing the mounting bar(A) with mounting screw(A1) to the canopy and screw with canopy screw(B)



## Step 4

Consult a qualified electrician to ensure correct branch circuit conductor



ENJOY YOUR LAMP