



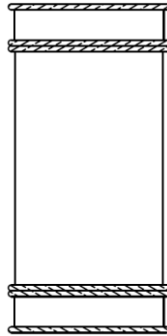
# SAFAVIEH

## L I G H T I N G

### Assembly Instruction

**CAUTION** Read instruction carefully and turn electricity off at main circuit breaker panel before beginning installation.

**ITEM#:LIT4412A**



### Care and Cleaning








To clean the outside of the fixture, use a dry or slightly dampened clean cloth(use clean water, never a solvent)to wipe the surface of the fixture.

To clear the inside of the fixture, first disconnect power to the fixture by turning off the circuit breaker or by removing the fuse at the fuse box. Next, use a dry or slightly dampened clean cloth(use clean water, never a solvent) to wipe the interior surface of the fixture

Do not use any cleaners with chemical, solvents or harsh abrasives. Use Only a dry soft cloth to dust or wipe carefully.

Estimated Assembly Time:30 minutes

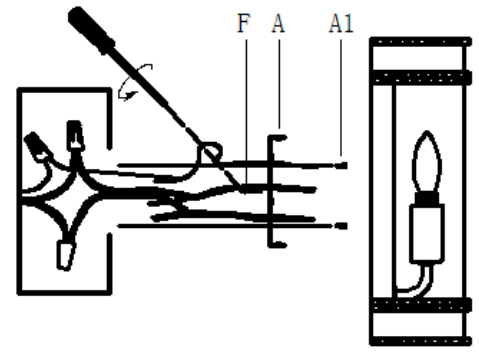
### Part List and Hardware List

PIECE	DESCRIPTION	PICTURE	QUANTITY	PIECE	DESCRIPTION	PICTURE	QUANTITY
<b>A</b>	Mounting bar		<b>1X</b>	<b>D</b>	Shade		<b>1X</b>
<b>A1</b>	Mounting screw		<b>2X</b>	<b>E</b>	screwed ball		<b>2X</b>
<b>B</b>	Lampbody		<b>1X</b>	<b>F</b>	Bracket screw		<b>2X</b>
<b>C</b>	Bulb		<b>1X</b>				

# Installation

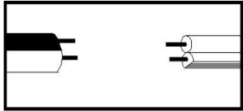
## Step 1

Unpack all parts from cartons carefully  
 Screw the bracket screw(F) on the mounting bar(A)  
 Installing the mounting bar(A) with mounting screws(A1) to the outlet box

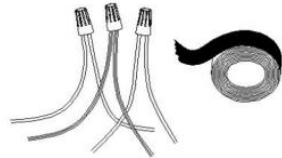


## Step 2 Wire connection

Connect,Hot,Black or Red outlet Supply Wire to:	Connect,Neutral,White Outlet Supply Wire to:
Black	White
*Parallel Cord(round&smooth)	*Parallel Cord(square&ridged)
Clear,Brown,Gold or Black without Tracer(colored stripes)	Clear,Brwn,Gold or Black without Tracer(colored stripes)
Insulated Wire(not green)with copper metal conductor	Insulated Wire(not green)with Silver metal conductor

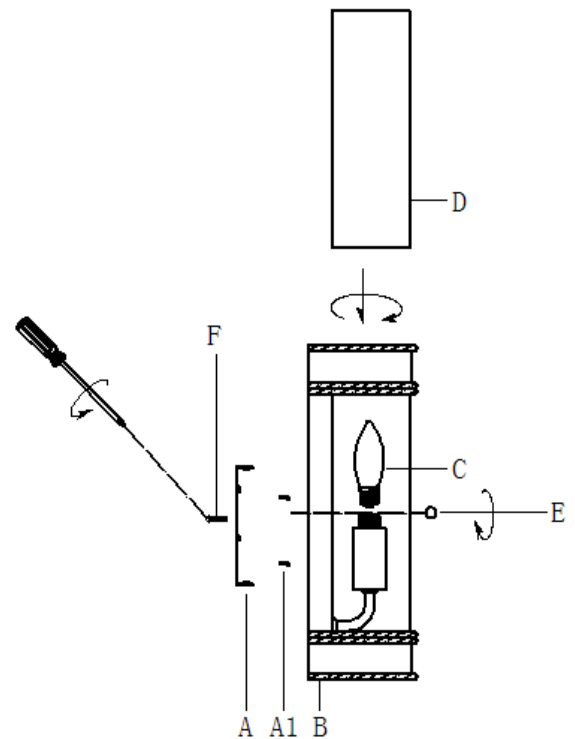


\*Note: When parallel wire(SPTI&SPTII)is used. The neutral wire is square shaped and ridged and the hot wire will be round in shape and smooth.(See illustration on left)



## Step 3

Orient the wall canopy so that the bracket screws (F) protruding from the mounting bracket go into the holes of the canopy, then secure it with the provided screwed balls (E).  
 Install bulbs (C). Be sure to use bulb with wattage no greater than specified on this fixture  
 Place the shade (D) inside the lampbody



## Step 4

Consult a qualified electrician to ensure correct branch circuit conductor

ENJOY YOUR LAMP