



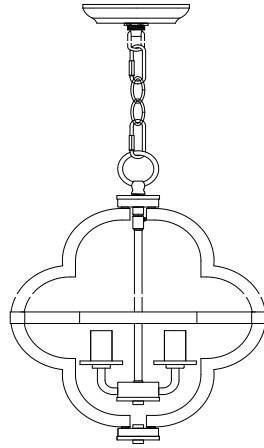
# SAFAVIEH

## LIGHTING

### Assembly Instruction

**CAUTION:** Read instruction carefully and turn electricity off at main circuit breaker panel before beginning installation.

**ITEM#:LIT4373A**



### Care and Cleaning

To clean the outside of the fixture, use a dry or slightly dampened clean cloth(use clean water, never a solvent)to wipe the surface of the fixture.

To clear the inside of the fixture, first disconnect power to the fixture by turning off the circuit breaker or by removing the fuse at the fuse box. Next, use a dry or slightly dampened clean cloth(use clean water, never a solvent) to wipe the interior surface of the fixture

Do not use any cleaners with chemical, solvents or harsh abrasives. Use Only a dry soft cloth to dust or wipe carefully.

Estimated Assembly Time:30 minutes

### Part List and Hardware List

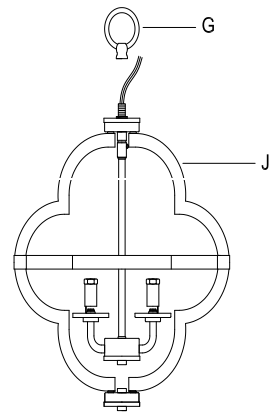
PIECE	DESCRIPTION	PICTURE	QUANTITY	PIECE	DESCRIPTION	PICTURE	QUANTITY
A	Mounting Plate		1X	G	Fixture Loop		1X
B	Canopy		1X	H	Mounting Screw		2X
C	Hanging Loop		1X	I	Wire Nut		3X
D	Canopy Nut		1X	J	Lamp Boby		1X
E	Chain		1X	K	Bulb		4X
F	Closable link/cap		2X	L	Socket Sleeve		4X

# Installation

## Step 1

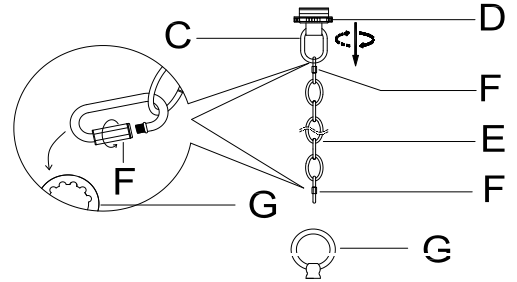
Unpack all parts from cartons carefully.

Insert the fixture wires through the Fixture Loop(G). Then fix the Fixture Loop(G) onto the threaded nipple of the Lamp Body(J) clockwise till tight.



## Step 2

Screw the Chain(E) to the Hanging Loop(C) and the Fixture Loop (G) with Closable link/cap (F) as diagram.



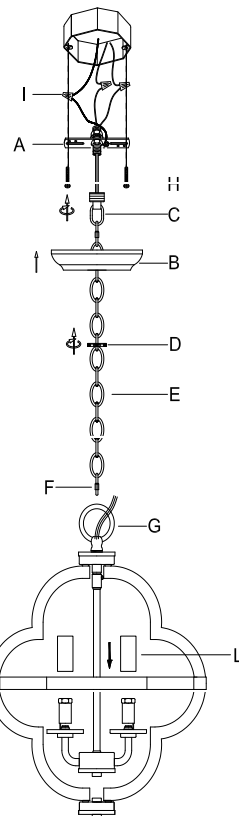
## Step 3

Weave the 2 wire power cord and bare ground wire through every other loop to the top of chain(E),center holes of Hanging Loop(C)&Canopy(B) as diagram.

Insert the threaded tube of the Mounting Plate(A) into the center hole of the Hanging Loop(C),rotate the Mounting Plate(A) clockwise till tight.

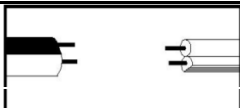
Slide the Canopy Nut(D) then the Canopy(B) to the end of the Chain(E).

Place the Socket Sleeve(L) onto the socket.



## Step 4 Wire connection

Connect,Hot,Black or Red outlet Supply Wire to:	Connect,Neutral,White Outlet Supply Wire to:
Black	White
*Parallel Cord(round&smooth)	*Parallel Cord(square&ridged)
Clear,Brown,Gold or Black without Tracer(colored stripes)	Clear,Brwn,Gold or Black without Tracer(colored stripes)
Insulated Wire(not green)with copper metal conductor	Insulated Wire(not green)with Silver metal conductor



\*Note: When parallel wire(SPTI&SPTII)is used. The neutral wire is square shaped and ridged and the hot wire will be round in shape and smooth.(See illustration on left)



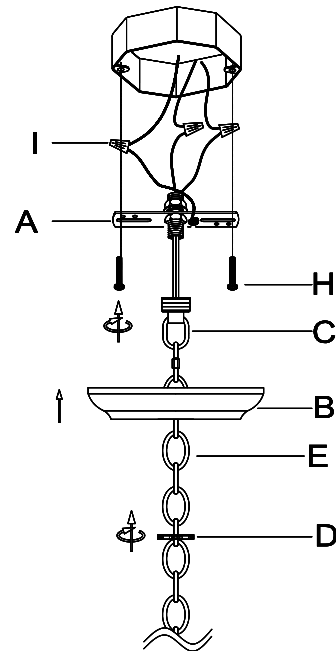
## Grounding Instructions:

- a) For installation in the United States: Wrap ground wire from outlet box around green ground screw on mounting bracket, no less than 2" from wire end. Tighten ground screw. If fixture is supplied with a ground wire, connect to outlet ground wire with a wire connector.
- b) For installation in Canada: If fixture is supplied with ground wire, wrap ground wire around green grounding screw on mounting bracket. Tighten ground screw.

## Step 5

Attach the Mounting Plate (A) onto the junction box by inserting two Mounting Screws (H) and turning clockwise till tight.

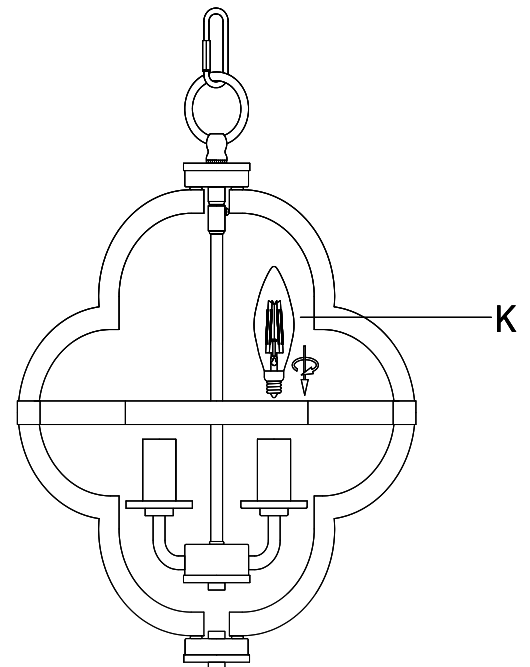
Slide the Canopy (B) upward along the chain(E) till the ceiling surface. Fix the Canopy(B) by rotating the Canopy Nut(D)clockwise to engage it with the threaded portion of the Hanging Loop (C) until secure. Do not over tighten this nut.



Insert the bulbs(K) into the socket until secure.

**DO NOT EXCEED THE SPECIFIED WATTAGE.**

**PLEASE USE TYPE "B" BULB MAX 40-WATT OR CFL BULB MAX 13-WATT OR LED MAX 9-WATT THERE ARE 4\*4W LED BULBS IN THE BOX.**



## Step 6

Consult a qualified electrician to ensure correct branch circuit conductor

ENJOY YOUR LAMP